



SOLUCIONES DE PLEGADO



ES



<b>R1</b>	PUNZONES	1
	MATRICES	2
<b>R2</b>	PUNZONES	3
<b>R3</b>	PUNZONES	4
<b>R2</b> <b>R3</b>	MATRICES	5
<b>R4</b>	PUNZONES	6
	MATRICES	7
<b>RX</b>		8
MATRICES ROLLERI ROLLA-V		
ADAPTADORES ROLLERI		
PLEGADO SIN MARCAS ROLLERI		
EVOLUCIÓN Y RESISTENCIA ROLLERI		
ACCESORIOS ROLLERI		
MÁS HERRAMIENTAS ROLLERI		
ESPECIFICACIONES Y MODIFICACIONES DE LAS HERRAMIENTAS <b>TABLA DE PLEGADO EN U</b>		
SOBRE NOSOTROS		

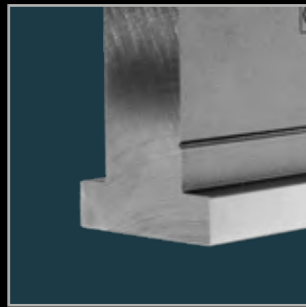
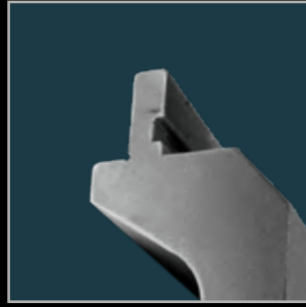



▼ COMPATIBILIDAD

# R1

Consulta el icono 

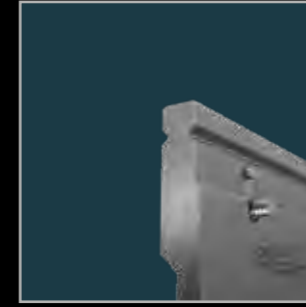
- ▶ Accurl
- ▶ Accurpress
- ▶ ACL
- ▶ Adira
- ▶ Amada
- ▶ Atlantic
- ▶ Baykal
- ▶ BL
- ▶ Boschert
- ▶ Boutillon
- ▶ Bystronic Beyeler
- ▶ Euro-B
- ▶ Coastone
- ▶ Colgar
- ▶ Dener
- ▶ Deratech
- ▶ Durmazlar
- ▶ Ermaksan
- ▶ Farina
- ▶ Gade
- ▶ Gasparini
- ▶ Gecko
- ▶ Gilardi
- ▶ Gizelis
- ▶ Haco
- ▶ Hindustan
- ▶ HPM
- ▶ Iturrospe
- ▶ Jfy
- ▶ JMT
- ▶ LFK
- ▶ Metfab
- ▶ MVD
- ▶ Oriance
- ▶ Prima Power
- ▶ Promecam
- ▶ Rico
- ▶ Salvagnini
- ▶ Schiavi
- ▶ SMD
- ▶ Sorg
- ▶ Somo
- ▶ Vicla
- ▶ Vimercati
- ▶ Warcom
- ▶ Yawei
- ▶ ecc.




Consulta el icono 

# R2

- ▶ Darley
- ▶ LVD
- ▶ Safan
- ▶ Trumpf
- ▶ Plegadoras con sistema NSCL

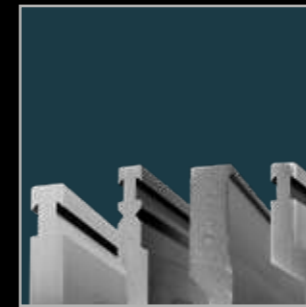


Consulta el icono 

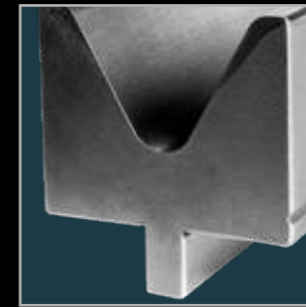
# R3

Bystronic Beyeler:

- ▶ RFA
- ▶ RF
- ▶ R
- ▶ S



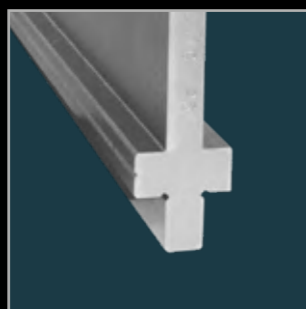
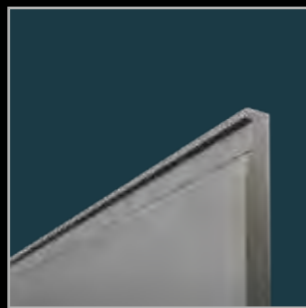
- ▶ Bystronic Beyeler
- ▶ Darley
- ▶ Safan
- ▶ SMD
- ▶ Trumpf
- ▶ Plegadoras con sistema NSCR





Consulta el icono  **R4**

▶ LVD



Consulta el icono  **RX**







- ▶ American
- ▶ Ajail-Axial
- ▶ Colgar
- ▶ Colly
- ▶ EHT
- ▶ Gasparini
- ▶ Hämmerle-Bystronic
- ▶ Ursviken
- ▶ Weinbrenner



Consulta el icono  → Compatibilidad universal

Consulta el icono  → Producto patentado

OTROS CATÁLOGOS DE **ROLLERI**:

- ▶ SISTEMAS DE SUJECCIÓN  
Consulta el icono 
- ▶ HERRAMIENTAS DE PLEGADO  
Consulta el icono  American
- ▶ HERRAMIENTAS DE PLEGADO  
Consulta el icono  Hämmerle-Bystronic
- ▶ HERRAMIENTAS DE PUNZONADO  
Consulta el icono 
- ▶ IRON WORKER  
Consulta el icono 
- ▶ CONSUMIBLES LÁSER  
Consulta el icono 
- ▶ EQUIPO INDUSTRIAL
- ▶ MÁQUINAS DE PRENSADO







## PUNZONES ROLLERI TIPO R1

### ▼ COMPATIBILIDAD

Accurl  
Accurpress  
ACL  
Adira  
Amada  
Atlantic  
Baykal  
BL  
Boschert  
Boutillon  
Bystronic Beyeler  
Euro-B  
Coastone  
Colgar  
Dener  
Deratech

Durmazlar  
Ermaksan  
Farina  
Gade  
Gasparini  
Gecko  
Gilardi  
Gizelis  
Haco  
Hindustan  
HPM  
Iturrospe  
Jfy  
JMT  
LFK  
Metfab

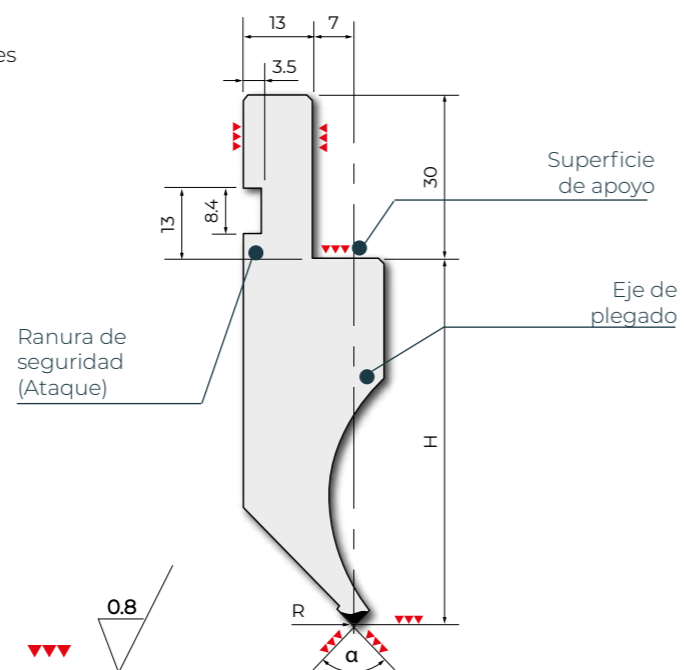
MVD  
Oriance  
Prima Power  
Promecam  
Rico  
Salvagnini  
Schiavi  
SMD  
Sorg  
Somo  
Vicla  
Vimercati  
Warcom  
Yawei  
ecc.

<b>Especificaciones</b>	10 - 11
<b>(R1) Serie TOP</b>	
<b>Punzones</b>	12 - 15
85°	12
75°	13
60°	13
26°	14
28°/24° Punzones para plegado y aplanado	15
Soportes y útiles para curvar	16
<b>(R1) Serie CLASSIC</b>	
<b>Punzones</b>	17 - 34
90°	17 - 18
88°	19 - 24
85°	25 - 27
75°	27 - 28
70°	28
60°	29 - 30
45°	30 - 31
35°	31 - 32
30°	33
26°	33 - 3
<b>(R1) Serie A</b>	
<b>Punzones</b>	35 - 39
90° - 88°	35 - 38
60°	39
45°	39
30°	39
<b>(R1) Serie AFH</b>	
<b>Punzones</b>	40 - 43
85° - 88°	40 - 41
26°	41
<b>Bigornias móviles</b>	42
<b>Punzones para perfiles cerrados</b>	43
<b>Soportes para útiles de plegado en Z</b>	44
<b>Soportes y útiles para curvar y doblar</b>	45 - 47



**ATAQUE**

- ▶ Ranura anticáida de seguridad de 8.4x3.5mm
- ▶ Según el tipo de montaje (horizontal o vertical), el útil es intercambiable



**MODIFICACIÓN RANURA DE ATAQUE**

<p><b>A1</b> Suplemento al ataque de seguridad 8,4 x 3,5 mm: · Ranura para ataque neumático</p>	<p><b>A8</b> Ranura para: · Ataque hidráulico Gasparini</p>	<p><b>A42</b> Ranura modificada para: · (R3) · Bystronic-Beyeler Euro · Safan</p>
<p><b>A6</b> Suplemento al ataque de seguridad 8,4 x 3,5 mm: · (R3) · Bystronic-Beyeler Euro · Safan</p>	<p><b>A9</b> Ranura modificada para: · (R2) · (R3) · FX</p>	<p><b>OT</b> Modificación para: · El sistema de fijación rápido de Amada</p>
<p><b>A7</b> Suplemento y modificación del ataque de seguridad 8,4x3,5 mm Ranura para: · (R3) · Bystronic-Beyeler Euro · Safan</p>	<p><b>A41</b> Ranura modificada para: · (R3) · Bystronic-Beyeler Euro · Safan</p>	<p>biselar</p>

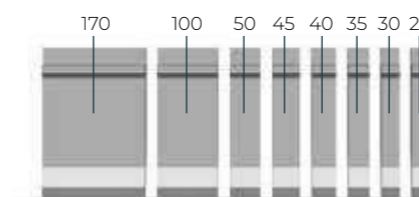
**LONGITUD ESTÁNDAR**

- ▶ **TOP**  
525 mm
- ▶ **CLASSIC · A · AFH**  
415 mm
- 835 mm
- 900 mm

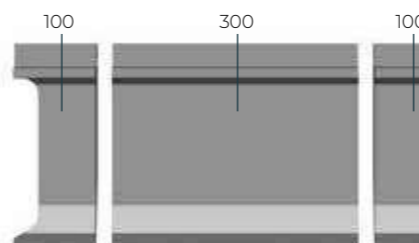
**MÓDULOS FRACCIONADOS**

▶ **TOP**

FA: 495 mm - 8 segmentos

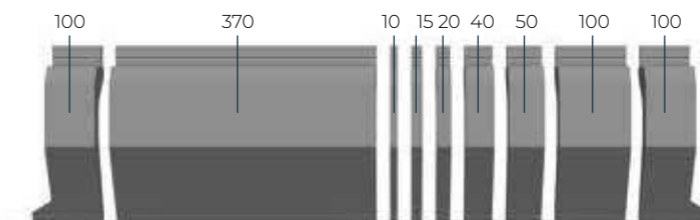


FB: 500 mm - 3 segmentos

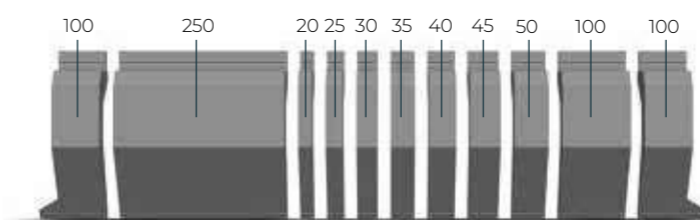


▶ **CLASSIC · A · AFH**

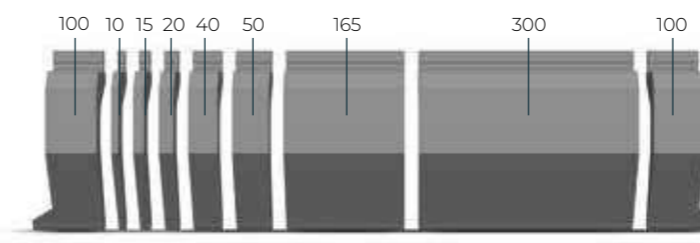
F: 805 mm - 9 segmentos



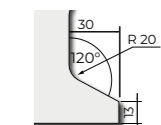
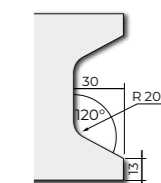
FX: 795 mm - 11 segmentos



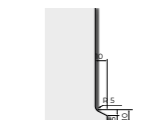
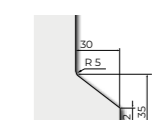
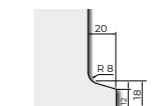
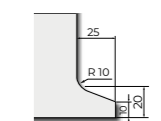
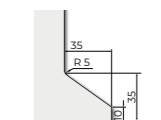
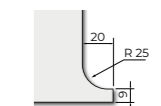
FC: 800 mm - 9 segmentos



**TOP - Bigornias**



**CLASSIC · A · AFH Bigornias**



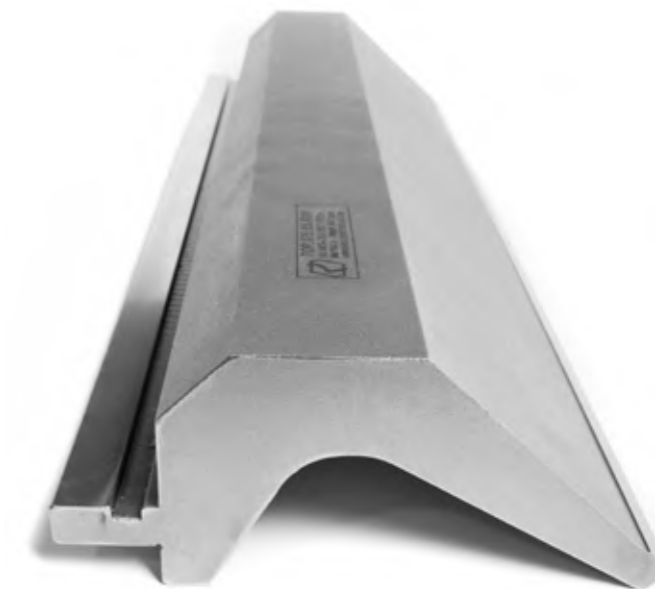
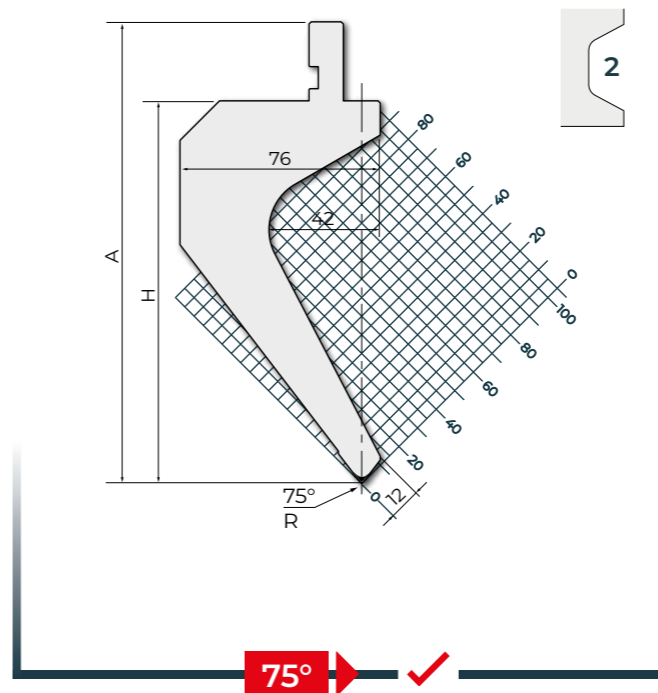
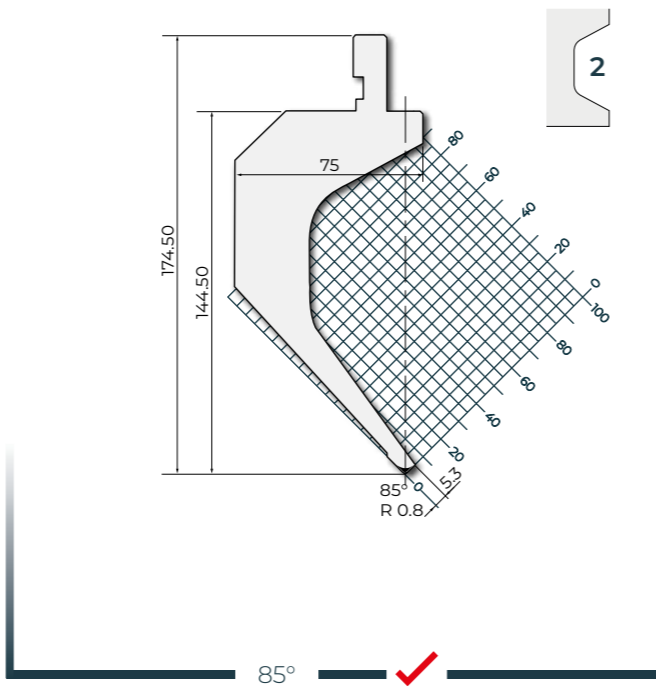
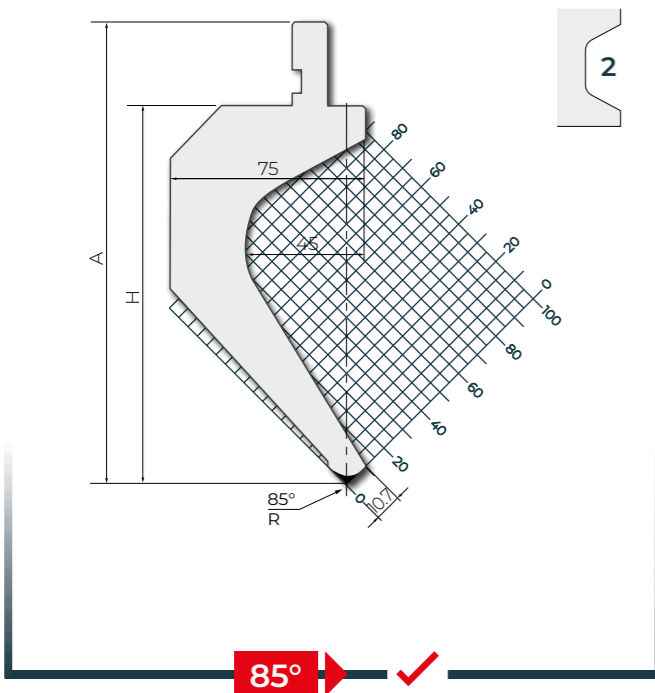




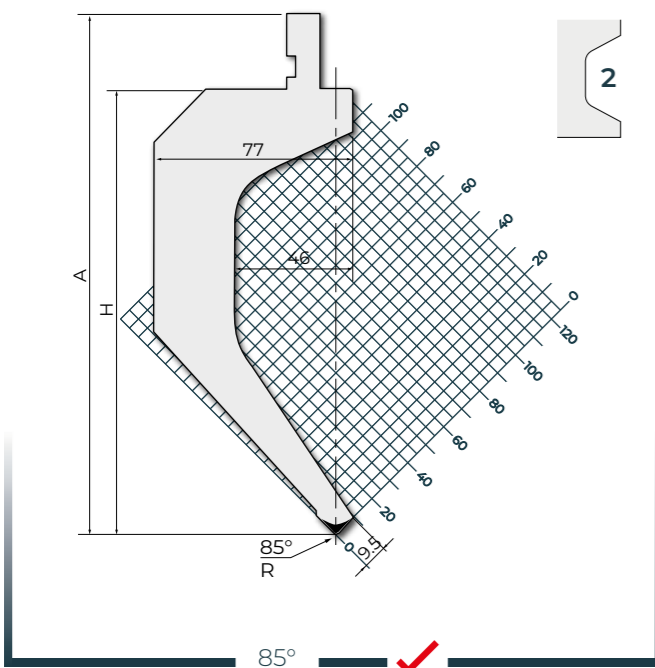
42Cr: 900-1150 N/mm <sup>2</sup> 900 kN/m max.			42Cr: 900-1150 N/mm <sup>2</sup> 900 kN/m max.		
TOP.175.85.R08			TOP.175.85.R2		
H=145.00 / A=175.00 / R=0.8			H=144.30 / A=174.30 / R=2.0		
525 mm	€ 624,-	20.9 kg	525 mm	€ 635,-	20.9 kg
495 mm	€ 880,-	19.7 kg <b>FA</b>	495 mm	€ 896,-	19.7 kg <b>FA</b>
500 mm	€ 860,-	19.9 kg <b>FB</b>	500 mm	€ 876,-	19.9 kg <b>FB</b>

42Cr: 900-1150 N/mm <sup>2</sup> 200 kN/m max.		
TOP.175.85.R08.S		
525 mm	€ 849,-	18.5 kg
495 mm	€ 1.105,-	17.4 kg <b>FA</b>
500 mm	€ 1.085,-	17.6 kg <b>FB</b>

42Cr: 900-1150 N/mm <sup>2</sup> 750 kN/m max.			42Cr: 900-1150 N/mm <sup>2</sup> 750 kN/m max.		
TOP.175.75.R08			TOP.175.75.R2		
H=145.00 / A=175.00 / R=0.8			H=144.20 / A=174.30 / R=2.0		
525 mm	€ 717,-	21.5 kg	525 mm	€ 730,-	21.5 kg
495 mm	€ 1.012,-	20.3 kg <b>FA</b>	495 mm	€ 1.030,-	20.3 kg <b>FA</b>
500 mm	€ 989,-	20.5 kg <b>FB</b>	500 mm	€ 1.006,-	20.5 kg <b>FB</b>

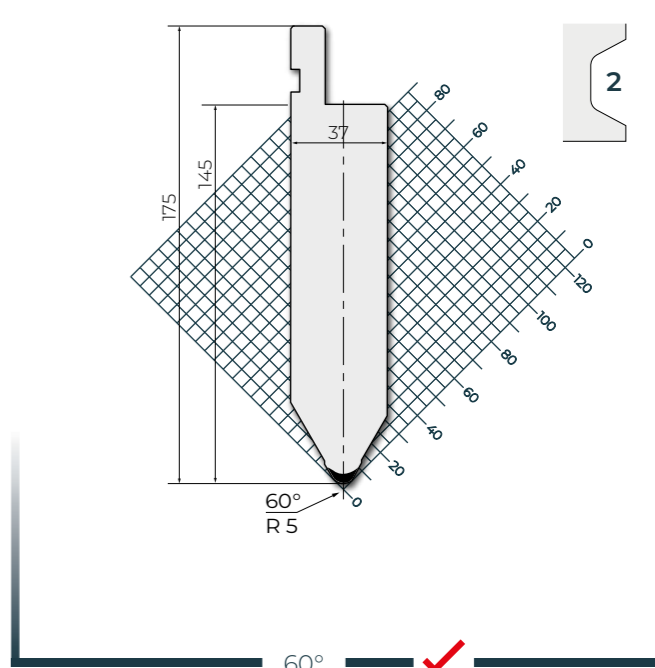
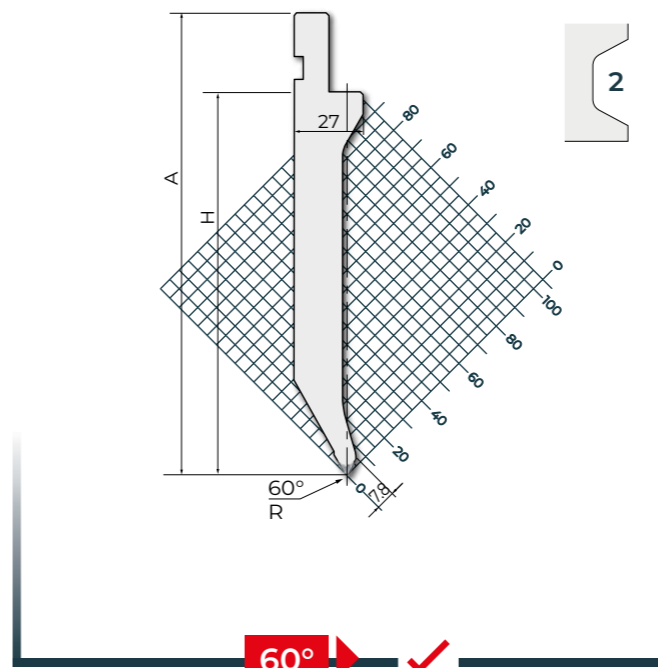


42Cr: 900-1150 N/mm <sup>2</sup> 700 kN/m max.			42Cr: 900-1150 N/mm <sup>2</sup> 700 kN/m max.		
TOP.205.85.R08			TOP.205.85.R2		
H=175.00 / A=205.00 / R=0.8			H=174.30 / A=204.30 / R=2.0		
525 mm	€ 788,-	24.0 kg	525 mm	€ 788,-	24.0 kg
495 mm	€ 1.066,-	22.6 kg <b>FA</b>	495 mm	€ 1.066,-	22.6 kg <b>FA</b>
500 mm	€ 1.042,-	22.9 kg <b>FB</b>	500 mm	€ 1.042,-	22.9 kg <b>FB</b>



42Cr: 900-1150 N/mm <sup>2</sup> 800 kN/m max.			42Cr: 900-1150 N/mm <sup>2</sup> 800 kN/m max.		
TOP.175.60.R08			TOP.175.60.R2		
H=145.00 / A=175.00 / R=0.8			H=143.80 / A=173.80 / R=2.0		
525 mm	€ 303,-	12.0 kg	525 mm	€ 309,-	12.0 kg
495 mm	€ 495,-	11.3 kg <b>FA</b>	495 mm	€ 506,-	12.0 kg <b>FA</b>
500 mm	€ 471,-	11.4 kg <b>FB</b>	500 mm	€ 480,-	11.0 kg <b>FB</b>

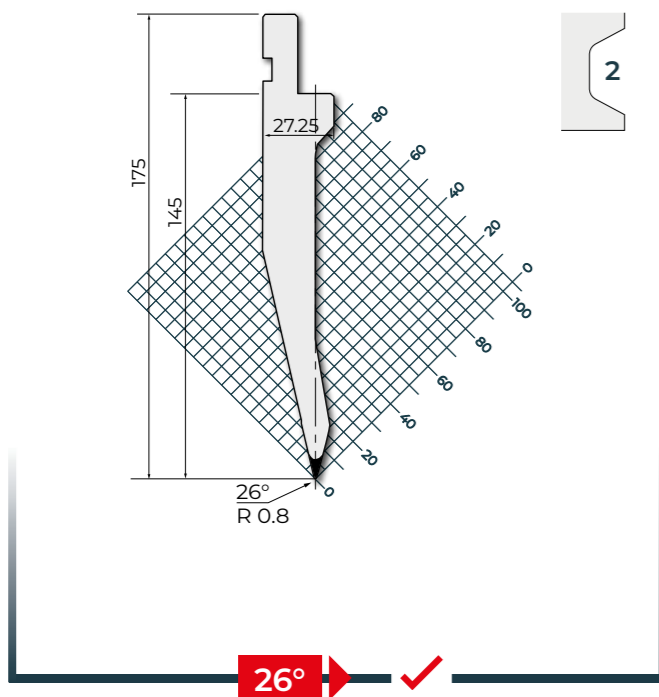
42Cr: 900-1150 N/mm <sup>2</sup> 1600 kN/m max.		
TOP.175.60.R5		
525 mm	€ 303,-	21.5 kg
495 mm	€ 495,-	21.0 kg <b>FA</b>
500 mm	€ 471,-	19.0 kg <b>FB</b>





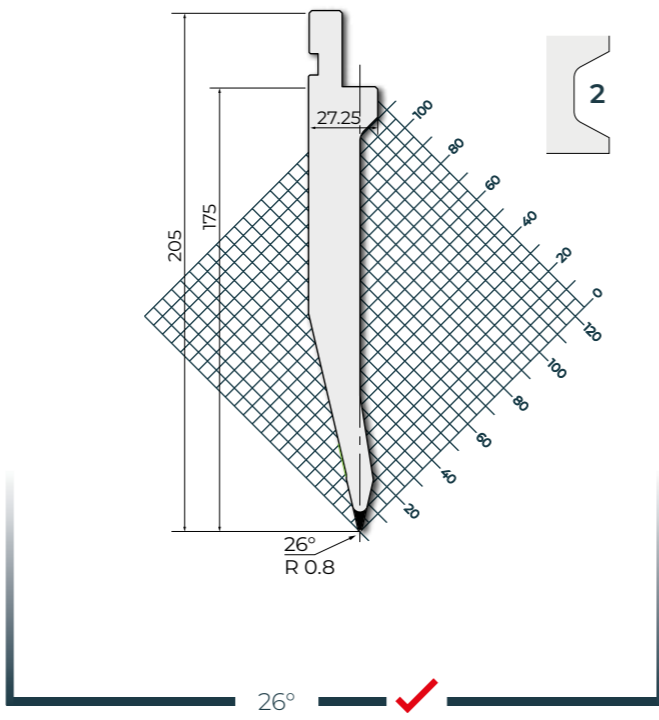
42Cr: 900-1150 N/mm<sup>2</sup> 950 kN/m max.

TOP.175.26.R08			
525 mm	€ 337,-	11.0 kg	
495 mm	€ 528,-	10.4 kg	FA
500 mm	€ 471,-	10.5 kg	FB



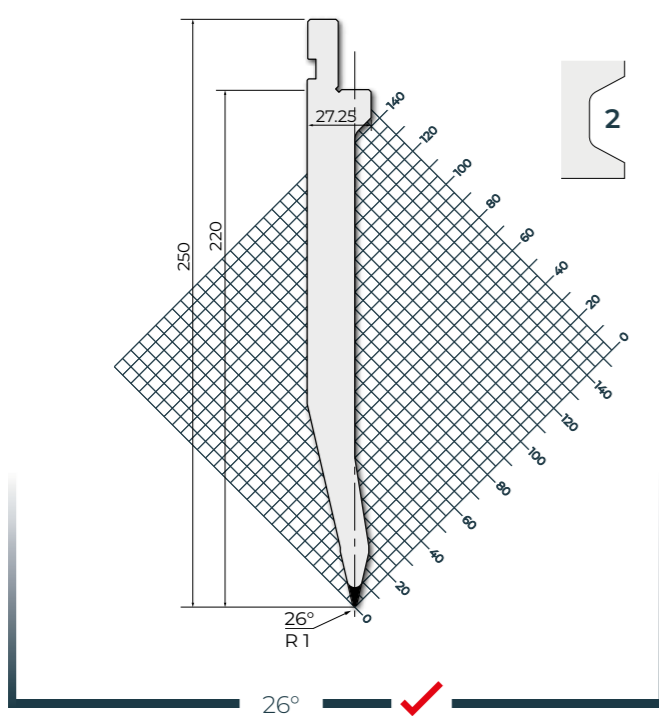
42Cr: 900-1150 N/mm<sup>2</sup> 950 kN/m max.

TOP.205.26.R08			
525 mm	€ 423,-	14.0 kg	
495 mm	€ 636,-	13.2 kg	FA
500 mm	€ 579,-	13.3 kg	FB



42Cr: 900-1150 N/mm<sup>2</sup> 1000 kN/m max.

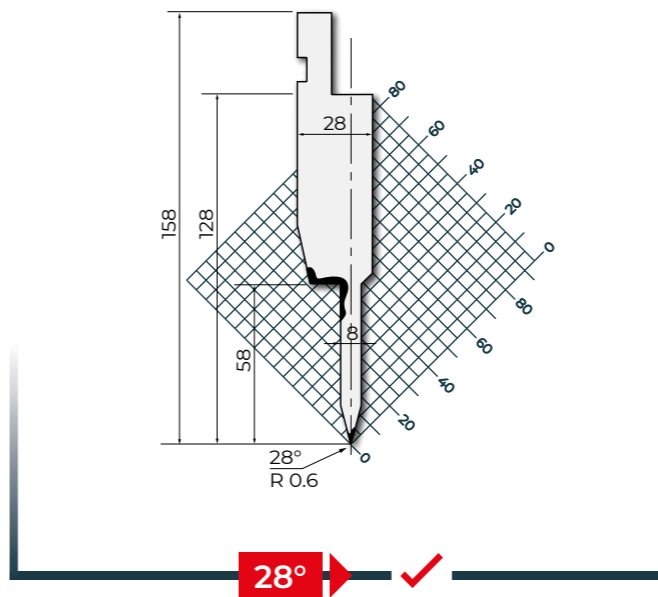
TOP.250.26.R1			
525 mm	€ 504,-	17.7 kg	
495 mm	€ 722,-	17.7 kg	FA
500 mm	€ 666,-	17.7 kg	FB



42Cr: 900-1150 N/mm<sup>2</sup> 800 kN/m max. - 1000 kN/m max.

TOP.SP.134.28.8			
525 mm	€ 415,-	11.0 kg	
495 mm	€ 634,-	10.3 kg	FA

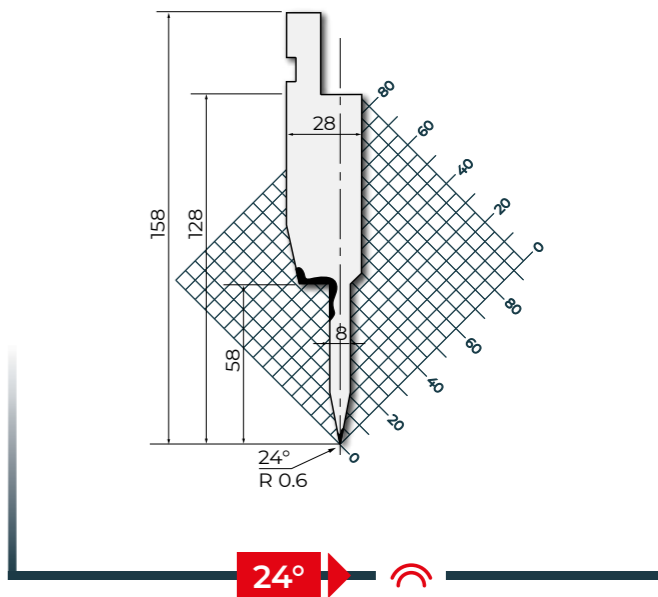
Para usar con: TOP.SM-134.28.8 (pág. 81)



42Cr: 900-1150 N/mm<sup>2</sup> 800 kN/m max. - 1000 kN/m max.

TOP.SP.134.24.8			
525 mm	€ 415,-	11.0 kg	
495 mm	€ 634,-	10.3 kg	FA

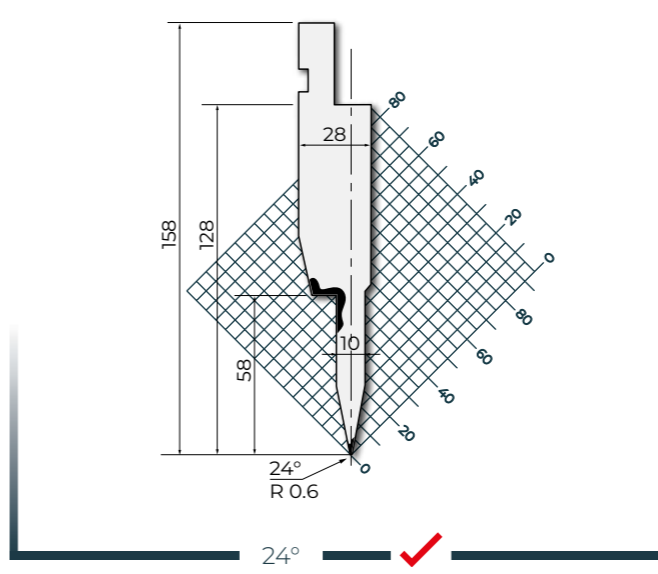
Para usar con: TOP.SM-134.24.8 (pág. 81)



42Cr: 900-1150 N/mm<sup>2</sup> 800 kN/m max. - 1000 kN/m max.

TOP.SP.134.24.10			
525 mm	€ 415,-	11.0 kg	
495 mm	€ 634,-	10.3 kg	FA

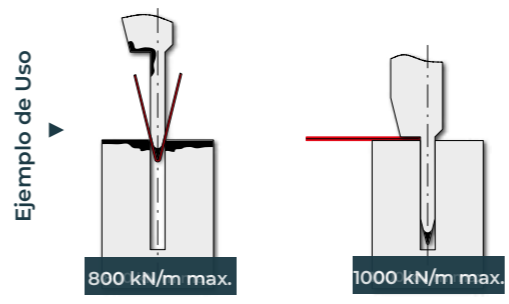
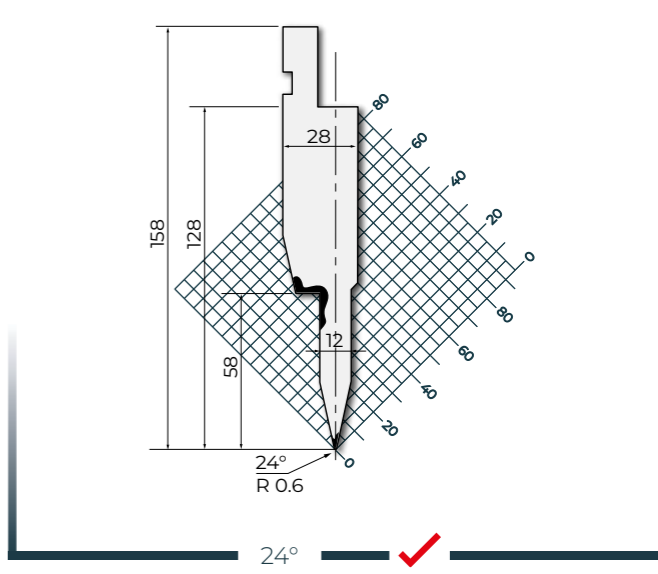
Para usar con: TOP.SM-134.24.10 (pág. 81)



42Cr: 900-1150 N/mm<sup>2</sup> 800 kN/m max. - 1000 kN/m max.

TOP.SP.134.24.12			
525 mm	€ 415,-	11.6 kg	
495 mm	€ 634,-	11.0 kg	FA

Para usar con: TOP.SM-134.24.12 (pág. 81)



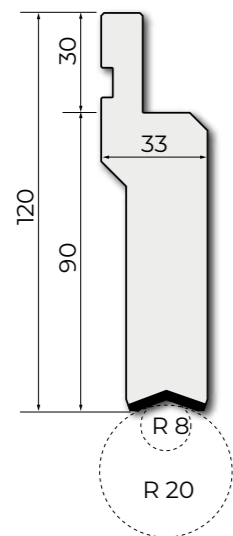
S [mm]	A [mm]	R.420 N/mm <sup>2</sup> kN/m	R.700 N/mm <sup>2</sup> kN/m	S [mm]	A [mm]	R.420 N/mm <sup>2</sup> kN/m	R.700 N/mm <sup>2</sup> kN/m
0.6	3.0	90	150	0.6	1.2	230	350
0.8	3.0	120	200	0.8	1.6	320	500
1.0	3.5	150	250	1.0	1.0	400	600
1.25	3.5	170	260	1.25	2.5	500	800



Soportes y útiles para curvar - **R1 Serie TOP**

42Cr: 900-1150 N/mm<sup>2</sup> 1000 kN/m max.

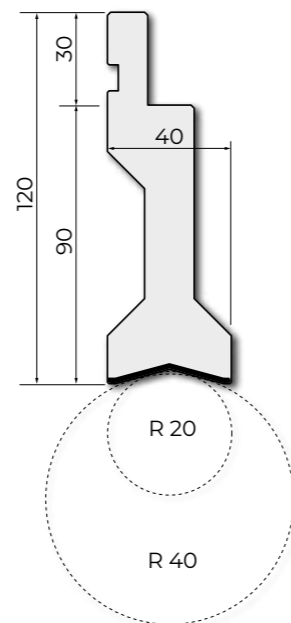
TOP.PC.120-08		
522 mm	€ 341,-	11.0 kg
495 mm	€ 646,-	12.0 kg <b>FA</b>



R8 - R20 ✓

42Cr: 900-1150 N/mm<sup>2</sup> 1000 kN/m max.

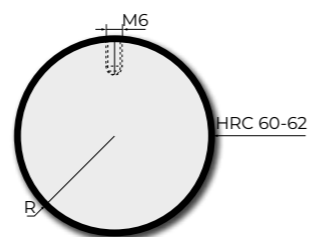
TOP.PC.120-20		
522 mm	€ 366,-	10.5 kg
495 mm	€ 674,-	10.0 kg <b>FA</b>



R20 - R40 ✓

C53: 610-760 N/mm<sup>2</sup> 1000 kN/m max.  
**Útiles para curvar: R08-R40**

R [mm]	525 mm	495 mm
TOP.C08	€ 40,- 0,8 kg	€ 164,- 1,9 kg
TOP.C10	€ 44,- 1,3 kg	€ 167,- 2,7 kg
TOP.C12.5	€ 46,- 2,0 kg	€ 225,- 2,8 kg
TOP.C15	€ 53,- 3,0 kg	€ 257,- 3,8 kg
TOP.C17.5	€ 58,- 4,0 kg	€ 265,- 4,7 kg
TOP.C20	€ 65,- 5,2 kg	€ 311,- 6,6 kg
TOP.C22.5	€ 77,- 6,6 kg	€ 346,- 6,6 kg
TOP.C25	€ 97,- 8,1 kg	€ 418,- 7,5 kg
TOP.C27.5	€ 111,- 9,8 kg	€ 477,- 9,2 kg
TOP.C30	€ 126,- 11,7 kg	€ 528,- 11,3 kg
TOP.C32.5	€ 159,- 13,7 kg	€ 593,- 12,9 kg
TOP.C35	€ 191,- 16,0 kg	€ 655,- 15,1 kg
TOP.C37.5	€ 215,- 18,2 kg	€ 688,- 17,2 kg
TOP.C40	€ 246,- 20,7 kg	€ 716,- 19,5 kg



✓

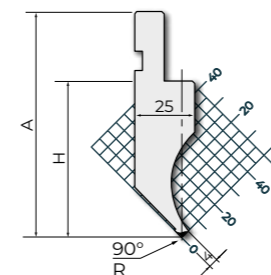
Punzones - **R1 Serie CLASSIC**



R1

42Cr: 900-1150 N/mm<sup>2</sup> 350 kN/m max.

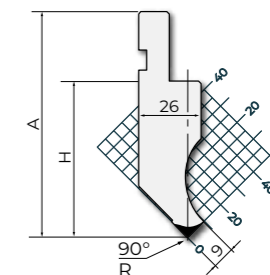
PK.97.90.R06			P.97.90.R025		
H=66.80 / A=96.80 / R=0.6			H=66.80 / A=96.80 / R=0.25		
835 mm	€ 206,-	10.5 kg	835 mm	€ 206,-	10.5 kg
415 mm	€ 116,-	5.2 kg	415 mm	€ 116,-	5.2 kg
795 mm	€ 328,-	10.1 kg <b>FX</b>	795 mm	€ 328,-	10.1 kg <b>FX</b>
805 mm	€ 328,-	10.1 kg <b>F</b>	805 mm	€ 328,-	10.1 kg <b>F</b>



90°

C45: 560-710 N/mm<sup>2</sup> 1000 kN/m max.

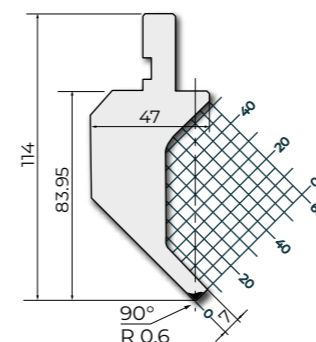
PK.97.90.R08			PK.97.90.R025		
H=66.35 / A=96.35 / R=0.8			H=66.80 / A=96.60 / R=0.25		
835 mm	€ 122,-	11.0 kg	835 mm	€ 146,-	11.0 kg
415 mm	€ 69,-	5.5 kg	415 mm	€ 82,-	5.5 kg
795 mm	€ 231,-	10.5 kg <b>FX</b>	795 mm	€ 238,-	11.0 kg <b>FX</b>
805 mm	€ 231,-	10.5 kg <b>F</b>	805 mm	€ 238,-	11.0 kg <b>F</b>



90°

42Cr: 900-1150 N/mm<sup>2</sup> 200 kN/m max.

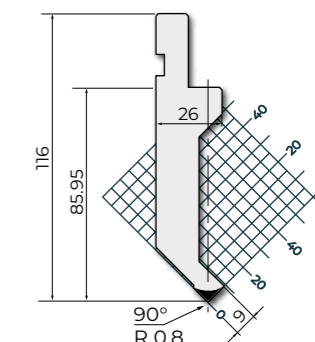
PK.114.90.R06		
835 mm	€ 461,-	14.0 kg
415 mm	€ 261,-	7.0 kg
795 mm	€ 655,-	14.0 kg <b>FX</b>
805 mm	€ 655,-	14.0 kg <b>F</b>



90°

C45: 560-710 N/mm<sup>2</sup> 400 kN/m max.

PK.116.90.R08		
835 mm	€ 227,-	13.0 kg
415 mm	€ 130,-	6.5 kg
795 mm	€ 383,-	13.0 kg <b>FX</b>
805 mm	€ 383,-	13.0 kg <b>F</b>



90°

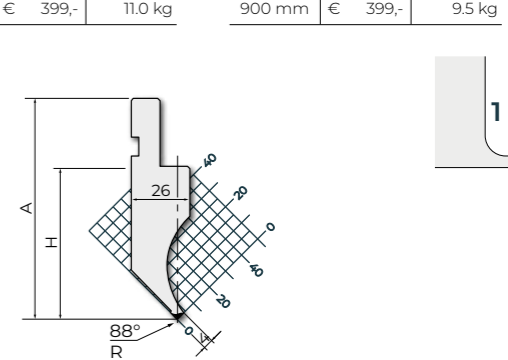
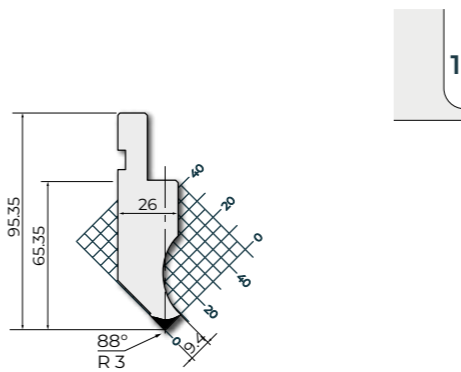
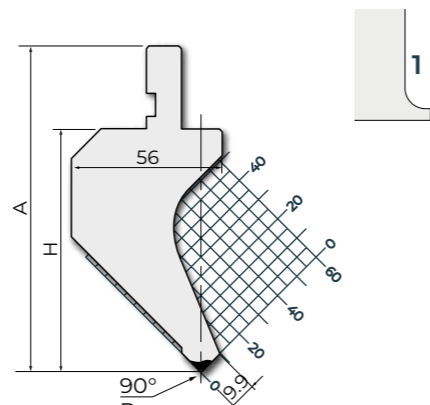
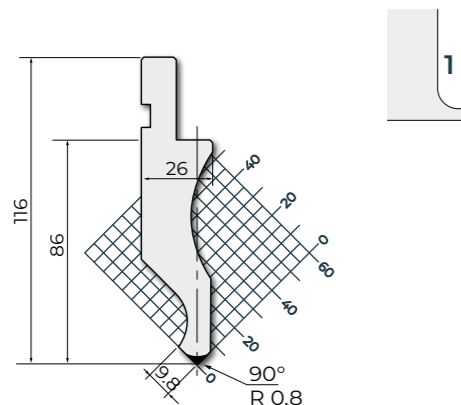


C45: 560-710 N/mm <sup>2</sup> 500 kN/m max.		
DK.116.90.R08		
835 mm	€ 264,-	13.0 kg
415 mm	€ 147,-	6.5 kg
795 mm	€ 424,-	13.0 kg <b>FX</b>
805 mm	€ 424,-	13.0 kg <b>F</b>

C45: 560-710 N/mm <sup>2</sup> 600 kN/m max.			C45: 560-710 N/mm <sup>2</sup> 600 kN/m max.		
PK.120.90.R08			PK.120.90.R025		
H=89.35 / A=119.35 / R=0.8			H=89.60 / A=119.60 / R=0.25		
835 mm	€ 273,-	21.0 kg	835 mm	€ 273,-	21.0 kg
415 mm	€ 152,-	10.5 kg	415 mm	€ 152,-	10.5 kg
795 mm	€ 395,-	21.0 kg <b>FX</b>	795 mm	€ 395,-	21.0 kg <b>FX</b>
805 mm	€ 395,-	21.0 kg <b>F</b>	805 mm	€ 395,-	21.0 kg <b>F</b>

C45: 560-710 N/mm <sup>2</sup> 1000 kN/m max.		
P.95.88.R3		
835 mm	€ 140,-	11.0 kg
415 mm	€ 81,-	5.5 kg
795 mm	€ 240,-	10.0 kg <b>FX</b>
805 mm	€ 240,-	10.0 kg <b>F</b>

42Cr: 900-1150 N/mm <sup>2</sup> 350 kN/m max.			42Cr: 900-1150 N/mm <sup>2</sup> 350 kN/m max.		
P.97.88.R06			P.97.88.R025		
H=67.00 / A=97.00 / R=0.6			H=66.95 / A=96.95 / R=0.25		
835 mm	€ 206,-	9.5 kg	835 mm	€ 206,-	9.5 kg
415 mm	€ 116,-	5.0 kg	415 mm	€ 116,-	5.0 kg
795 mm	€ 328,-	10.0 kg <b>FX</b>	795 mm	€ 328,-	9.2 kg <b>FX</b>
805 mm	€ 328,-	10.0 kg <b>F</b>	805 mm	€ 328,-	9.2 kg <b>F</b>
900 mm	€ 399,-	11.0 kg	900 mm	€ 399,-	9.5 kg

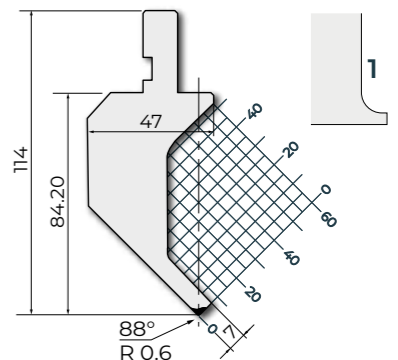
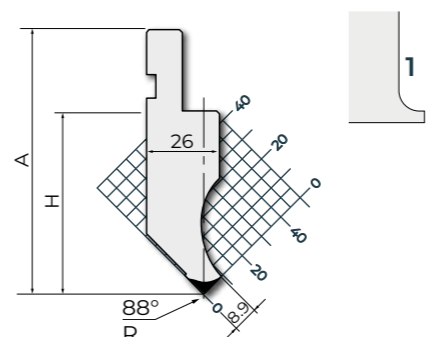
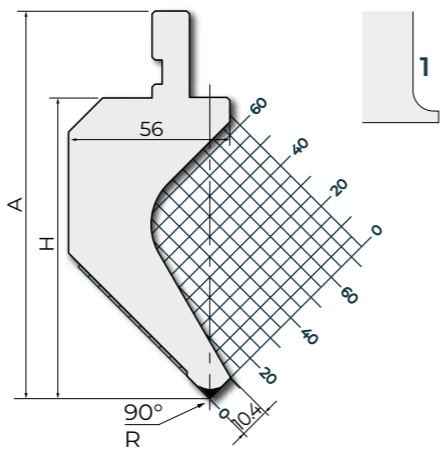
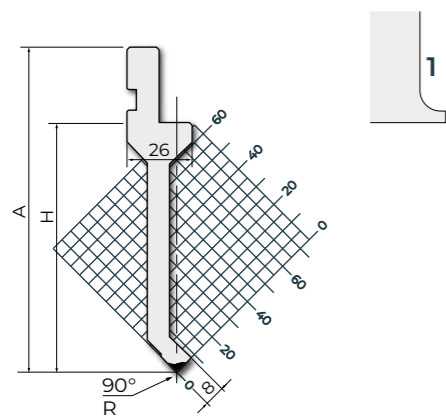


42Cr: 900-1150 N/mm <sup>2</sup> 350 kN/m max.			42Cr: 900-1150 N/mm <sup>2</sup> 350 kN/m max.		
P.130.90.R06			P.130.90.R025		
H=100.00 / A=130.00 / R=0.6			H=100.00 / A=130.00 / R=0.25		
835 mm	€ 312,-	11.5 kg	835 mm	€ 312,-	11.5 kg
415 mm	€ 177,-	5.7 kg	415 mm	€ 177,-	5.7 kg
795 mm	€ 461,-	11.0 kg <b>FX</b>	795 mm	€ 461,-	11.0 kg <b>FX</b>
805 mm	€ 461,-	11.0 kg <b>F</b>	805 mm	€ 461,-	11.0 kg <b>F</b>

C45: 560-710 N/mm <sup>2</sup> 500 kN/m max.			C45: 560-710 N/mm <sup>2</sup> 500 kN/m max.		
PK.135.90.R08			PK.135.90.R025		
H=104.35 / A=134.35 / R=0.8			H=104.60 / A=134.60 / R=0.25		
835 mm	€ 360,-	22.0 kg	835 mm	€ 360,-	22.0 kg
415 mm	€ 201,-	11.5 kg	415 mm	€ 201,-	11.5 kg
795 mm	€ 525,-	23.0 kg <b>FX</b>	795 mm	€ 525,-	23.0 kg <b>FX</b>
805 mm	€ 525,-	23.0 kg <b>F</b>	805 mm	€ 525,-	23.0 kg <b>F</b>

C45: 560-710 N/mm <sup>2</sup> 1000 kN/m max.			C45: 560-710 N/mm <sup>2</sup> 1000 kN/m max.		
P.97.88.R08			PK.97.88.R025		
H=66.65 / A=96.65 / R=0.8			H=66.60 / A=96.60 / R=0.25		
835 mm	€ 122,-	11.1 kg	835 mm	€ 146,-	11.1 kg
415 mm	€ 69,-	5.5 kg	415 mm	€ 84,-	5.5 kg
795 mm	€ 231,-	10.6 kg <b>FX</b>	795 mm	€ 276,-	10.0 kg <b>FX</b>
805 mm	€ 231,-	10.6 kg <b>F</b>	805 mm	€ 276,-	10.0 kg <b>F</b>
900 mm	€ 221,-	11.0 kg	900 mm	€ 282,-	11.8 kg

42Cr: 900-1150 N/mm <sup>2</sup> 200 kN/m max.		
P.114.88.R06		
835 mm	€ 457,-	15.6 kg
415 mm	€ 259,-	7.7 kg
795 mm	€ 651,-	14.5 kg <b>FX</b>
805 mm	€ 651,-	14.5 kg <b>F</b>

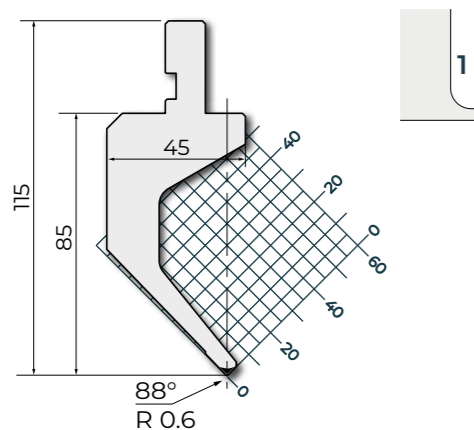






42Cr: 900-1150 N/mm<sup>2</sup> 130 kN/m max.

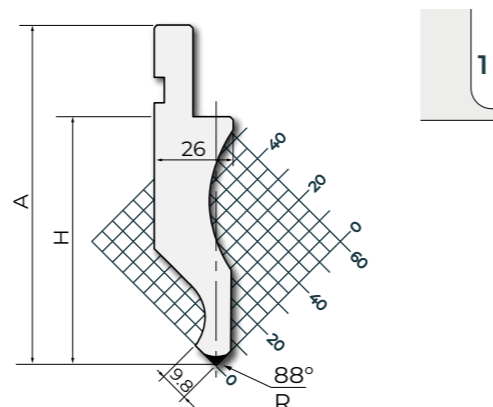
P.115.88.R06		
835 mm	€ 543,-	13.0 kg
415 mm	€ 300,-	6.5 kg
795 mm	€ 779,-	12.4 kg <b>FX</b>
805 mm	€ 779,-	12.6 kg <b>F</b>



88°

C45: 560-710 N/mm<sup>2</sup> 500 kN/m max. C45: 560-710 N/mm<sup>2</sup> 500 kN/m max.

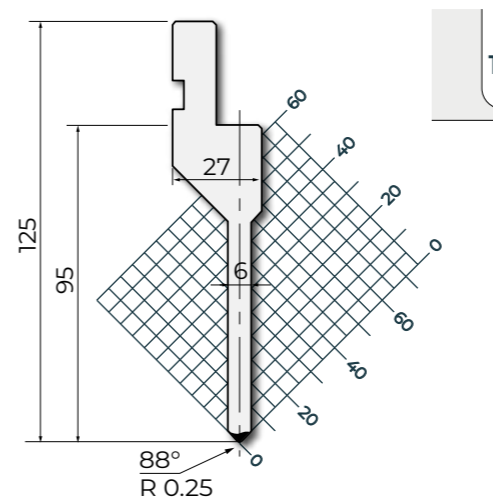
D.116.88.R08			D.116.88.R3		
H=86.00 / A=116.00 / R=0.8			H=85.00 / A=115.00 / R=3.0		
835 mm	€ 245,-	11.9 kg	835 mm	€ 390,-	11.9 kg
415 mm	€ 139,-	5.8 kg	415 mm	€ 286,-	5.9 kg
795 mm	€ 393,-	11.9 kg <b>FX</b>	795 mm	€ 530,-	11.5 kg <b>FX</b>
805 mm	€ 393,-	11.9 kg <b>F</b>	805 mm	€ 530,-	11.5 kg <b>F</b>



88°

42Cr: 900-1150 N/mm<sup>2</sup> 500 kN/m max.

P.125.88.R025		
835 mm	€ 243,-	9.0 kg
415 mm	€ 141,-	4.5 kg
795 mm	€ 488,-	9.0 kg <b>FX</b>
805 mm	€ 488,-	9.0 kg <b>F</b>

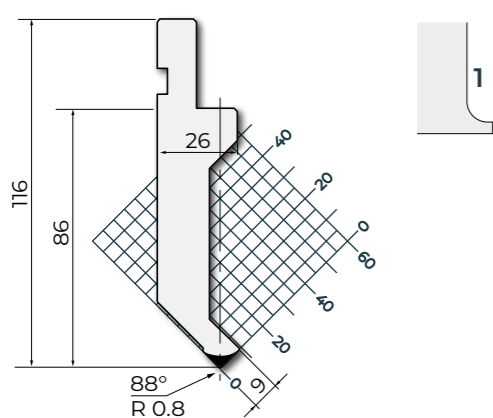


88°



C45: 560-710 N/mm<sup>2</sup> 400 kN/m max.

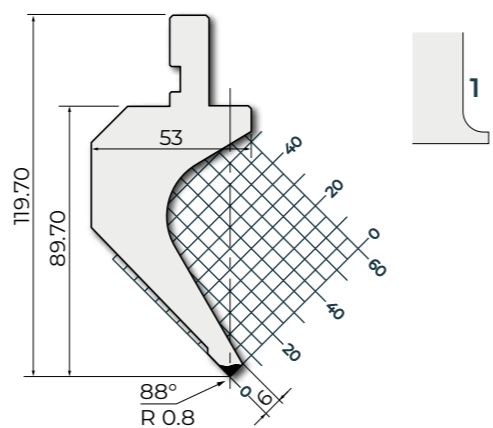
P.116.88.R08		
835 mm	€ 210,-	12.0 kg
415 mm	€ 121,-	6.0 kg
795 mm	€ 354,-	12.0 kg <b>FX</b>
805 mm	€ 354,-	12.0 kg <b>F</b>



88°

C45: 560-710 N/mm<sup>2</sup> 450 kN/m max.

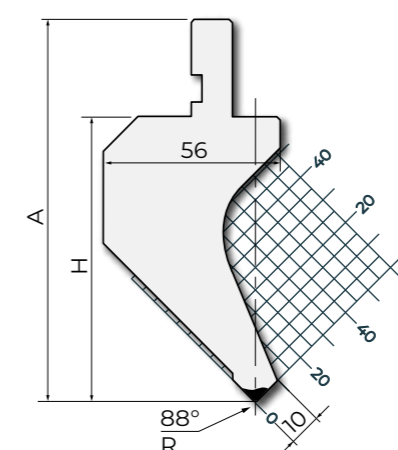
PS.120.88.R08		
835 mm	€ 374,-	17.0 kg
415 mm	€ 208,-	8.4 kg
795 mm	€ 543,-	16.4 kg <b>FX</b>
805 mm	€ 543,-	16.4 kg <b>F</b>



88°

C45: 560-710 N/mm<sup>2</sup> 600 kN/m max.

P.120.88.R08		
H=89.65 / A=120.00 / R=0.8		
835 mm	€ 273,-	21.0 kg
415 mm	€ 152,-	11.0 kg
795 mm	€ 395,-	21.0 kg <b>FX</b>
805 mm	€ 395,-	21.0 kg <b>F</b>



88°

C45: 560-710 N/mm<sup>2</sup> 600 kN/m max.

P.120.88.R3		
H=88.50 / A=118.50 / R=3.0		
835 mm	€ 273,-	21.0 kg
415 mm	€ 152,-	10.4 kg
795 mm	€ 395,-	21.0 kg <b>FX</b>
805 mm	€ 395,-	21.0 kg <b>F</b>

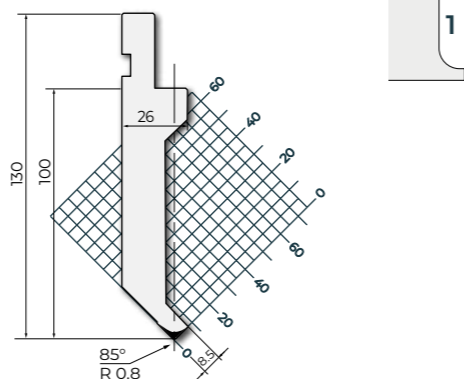
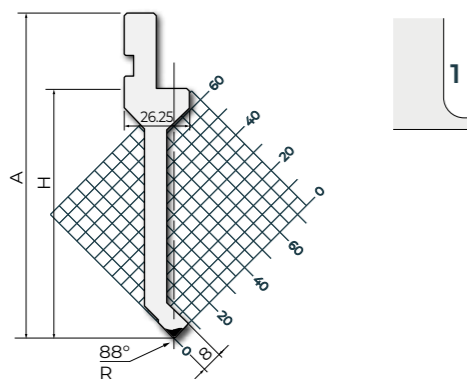
C45: 560-710 N/mm<sup>2</sup> 600 kN/m max.

PK.120.88.R025		
H=89.60 / A=120.00 / R=0.25		
835 mm	€ 273,-	21.0 kg
415 mm	€ 152,-	10.4 kg
795 mm	€ 395,-	21.0 kg <b>FX</b>
805 mm	€ 395,-	21.0 kg <b>F</b>



42Cr: 900-1150 N/mm <sup>2</sup> 350 kN/m max.			42Cr: 900-1150 N/mm <sup>2</sup> 350 kN/m max.		
P.130.88.R06			PK.130.88.R025		
H=100.00 / A=130.00 / R=0.6			H=99.95 / A=149.00 / R=0.25		
835 mm	€ 299,-	9.8 kg	835 mm	€ 303,-	9.7 kg
415 mm	€ 176,-	4.9 kg	415 mm	€ 176,-	4.8 kg
795 mm	€ 459,-	9.4 kg	795 mm	€ 471,-	9.3 kg
805 mm	€ 459,-	9.4 kg	805 mm	€ 471,-	9.3 kg
900 mm	€ 410,-	10.5 kg	900 mm	€ 439,-	10.4 kg

C45: 560-710 N/mm <sup>2</sup> 400 kN/m max.			C45: 560-710 N/mm <sup>2</sup> 400 kN/m max.		
P.130.88.R08			P.130.88.R025		
H=100.00 / A=130.00 / R=0.8			H=100.00 / A=130.00 / R=0.25		
835 mm	€ 252,-	14.0 kg	835 mm	€ 236,-	13.7 kg
415 mm	€ 146,-	7.0 kg	415 mm	€ 134,-	6.8 kg
795 mm	€ 414,-	14.0 kg	795 mm	€ 373,-	13.2 kg
805 mm	€ 414,-	14.0 kg	805 mm	€ 373,-	13.2 kg

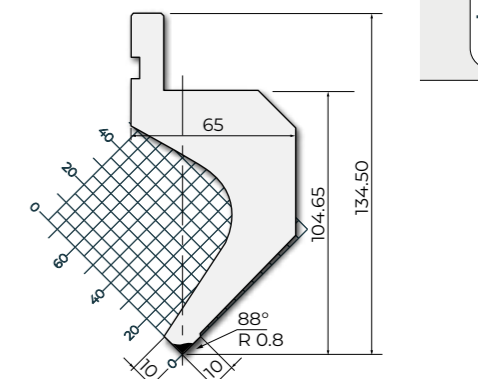
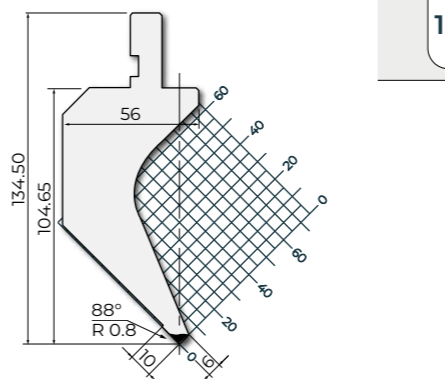


88° ✓

88° ✓

C45: 560-710 N/mm <sup>2</sup> 450 kN/m max.		
PS.135.88.R08		
835 mm	€ 384,-	22.0 kg
415 mm	€ 212,-	12.5 kg
795 mm	€ 516,-	21.5 kg
805 mm	€ 516,-	21.5 kg

C45: 560-710 N/mm <sup>2</sup> 450 kN/m max.		
PR.135.88.R08		
835 mm	€ 714,-	25.0 kg
415 mm	€ 413,-	11.5 kg
795 mm	€ 944,-	24.1 kg
805 mm	€ 944,-	24.1 kg



88° ✓

88° ✓

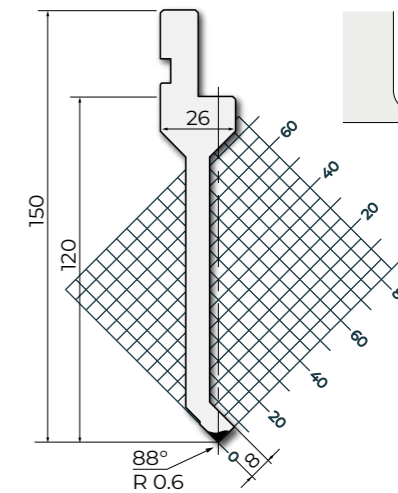
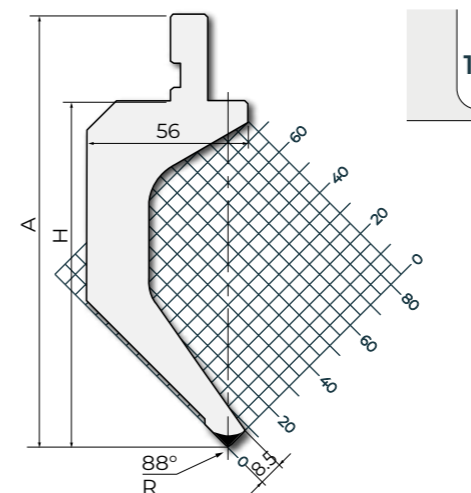
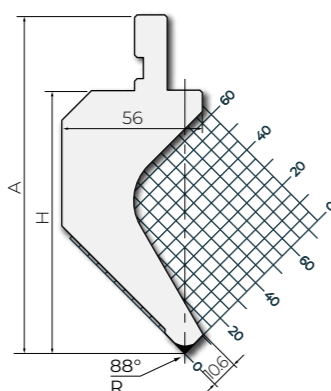
C45: 560-710 N/mm <sup>2</sup> 500 kN/m max.		
P.135.88.R08		
H=104.65 / A=134.50 / R=0.8		
835 mm	€ 327,-	22.5 kg
415 mm	€ 182,-	11.2 kg
795 mm	€ 452,-	21.7 kg
805 mm	€ 452,-	21.7 kg

C45: 560-710 N/mm <sup>2</sup> 500 kN/m max.		
P.135.88.R3		
H=103.40 / A=133.40 / R=3.0		
835 mm	€ 327,-	22.5 kg
415 mm	€ 182,-	11.2 kg
795 mm	€ 452,-	21.5 kg
805 mm	€ 452,-	21.5 kg

C45: 560-710 N/mm <sup>2</sup> 500 kN/m max.		
PK.135.88.R025		
H=104.60 / A=134.50 / R=0.25		
835 mm	€ 332,-	22.7 kg
415 mm	€ 182,-	11.5 kg
795 mm	€ 447,-	21.0 kg
805 mm	€ 447,-	21.0 kg

42Cr: 900-1150 N/mm <sup>2</sup> 500 kN/m max.			42Cr: 900-1150 N/mm <sup>2</sup> 500 kN/m max.		
P.150.88.R08			P.150.88.R3		
H=120.00 / A=150.00 / R=0.8			H=119.00 / A=149.00 / R=3.0		
835 mm	€ 714,-	21.0 kg	835 mm	€ 713,-	19.2 kg
415 mm	€ 387,-	10.5 kg	415 mm	€ 391,-	15.0 kg
795 mm	€ 963,-	20.5 kg	795 mm	€ 968,-	20.0 kg
805 mm	€ 963,-	20.5 kg	805 mm	€ 968,-	20.0 kg
900 mm	€ 727,-	23.0 kg	900 mm	€ 807,-	22.6 kg

42Cr: 900-1150 N/mm <sup>2</sup> 350 kN/m max.		
P.150.88.R06		
835 mm	€ 596,-	12.9 kg
415 mm	€ 340,-	5.9 kg
795 mm	€ 749,-	12.2 kg
805 mm	€ 749,-	12.4 kg



88° ✓

88° ✓

88° ✓



42Cr: 900-1150 N/mm<sup>2</sup> 500 kN/m max.

P.150.88.R025		
835 mm	€ 646,-	10.6 kg
415 mm	€ 370,-	5.3 kg
795 mm	€ 799,-	10.1 kg <b>FX</b>
805 mm	€ 799,-	10.2 kg <b>F</b>

C45: 560-710 N/mm<sup>2</sup> 500 kN/m max.

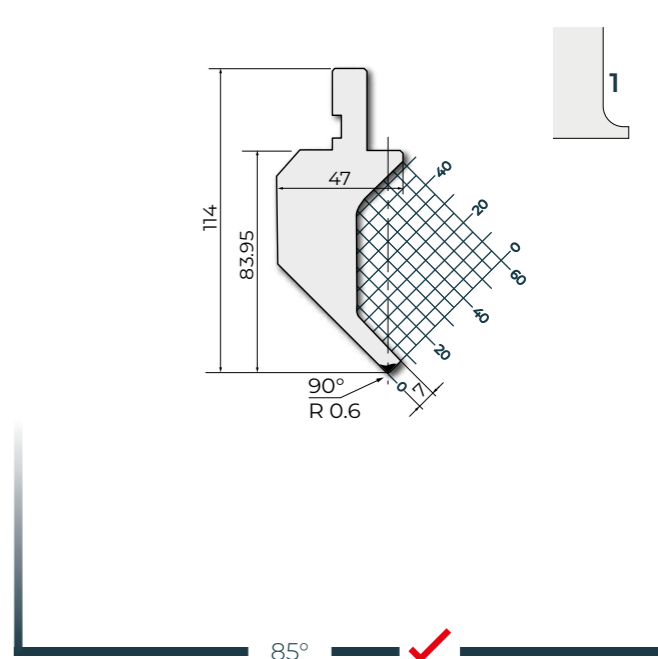
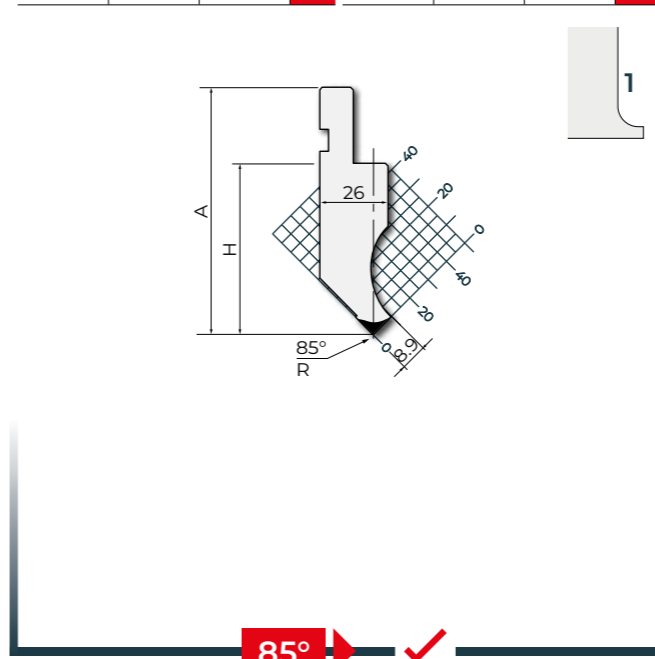
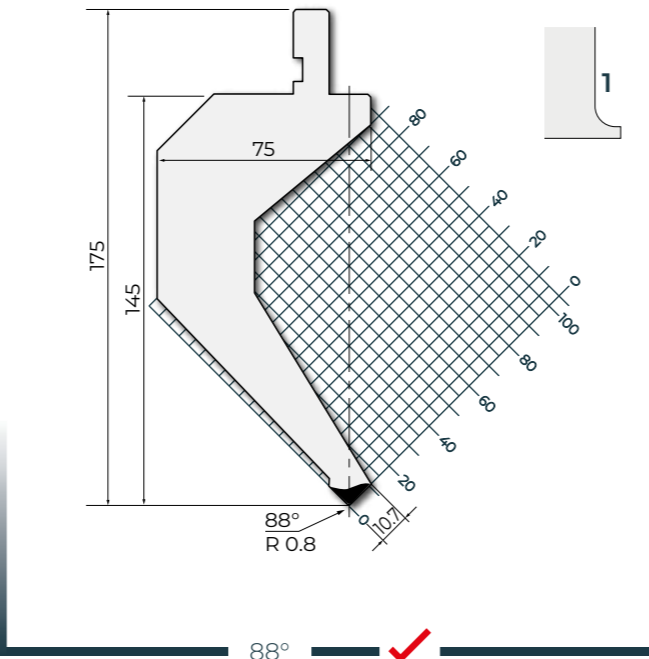
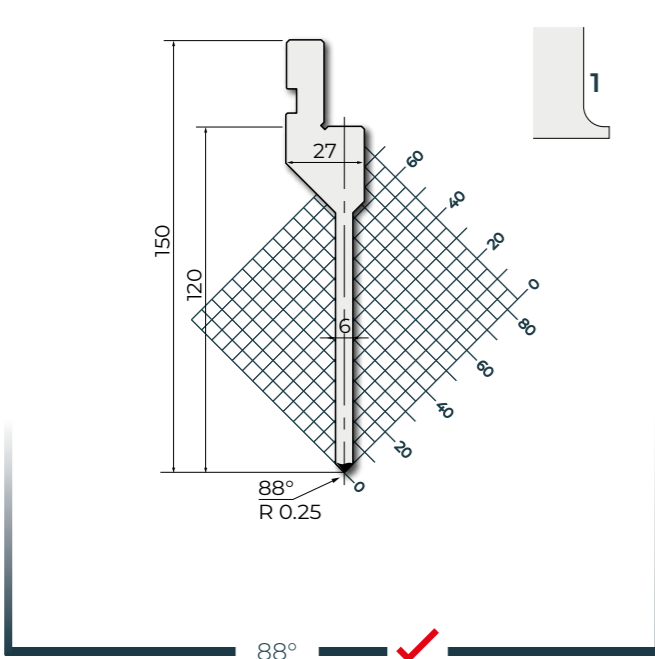
P.175.88.R08		
835 mm	€ 855,-	35.0 kg
415 mm	€ 489,-	17.5 kg
795 mm	€ 1.104,-	39.0 kg <b>FX</b>
805 mm	€ 1.104,-	39.0 kg <b>F</b>

C45: 560-710 N/mm<sup>2</sup> 1000 kN/m max. C45: 560-710 N/mm<sup>2</sup> 1000 kN/m max.

P.97.85.R08		PK.95.85.R3		
H=66.60 / A=96.50 / R=0.8		H=65.45 / A=95.45 / R=3.0		
835 mm	€ 122,-	11.0 kg	835 mm € 143,-	11.0 kg
415 mm	€ 69,-	5.5 kg	415 mm € 83,-	5.5 kg
795 mm	€ 231,-	10.4 kg <b>FX</b>	795 mm € 256,-	10.4 kg <b>FX</b>
805 mm	€ 231,-	10.6 kg <b>F</b>	805 mm € 256,-	10.6 kg <b>F</b>

C45: 560-710 N/mm<sup>2</sup> 600 kN/m max.

PK.120.85.R08		
835 mm	€ 343,-	21.0 kg
415 mm	€ 191,-	10.5 kg
795 mm	€ 500,-	21.0 kg <b>FX</b>
805 mm	€ 500,-	21.0 kg <b>F</b>



C45: 560-710 N/mm<sup>2</sup> 600 kN/m max.

P.195.88.R08		
835 mm	€ 1.080,-	41.0 kg
415 mm	€ 601,-	20.4 kg
795 mm	€ 1.458,-	39.5 kg <b>FX</b>
805 mm	€ 1.458,-	39.5 kg <b>F</b>

C45: 560-710 N/mm<sup>2</sup> 300 kN/m max.

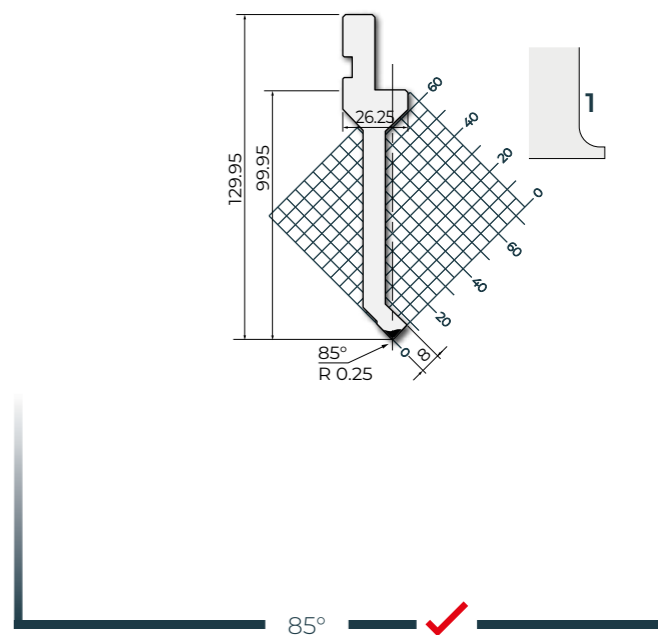
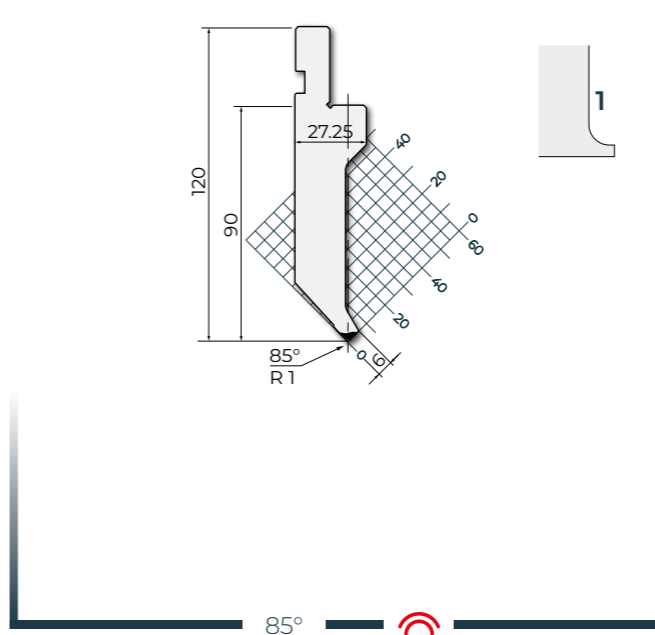
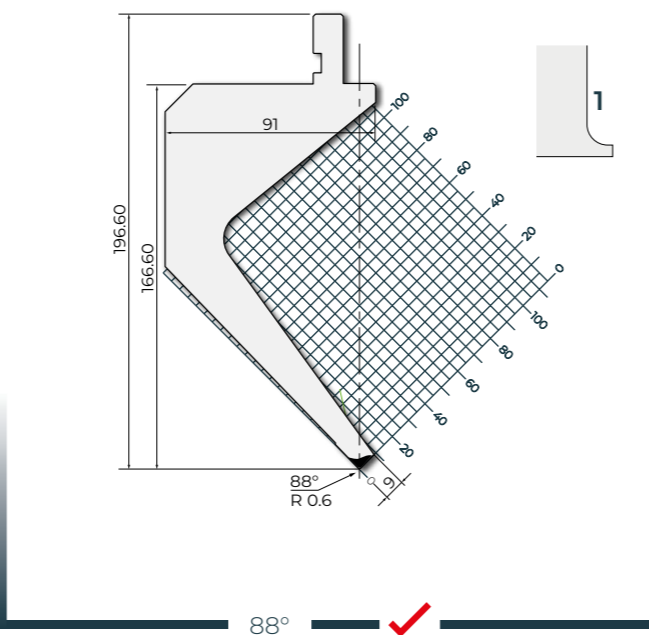
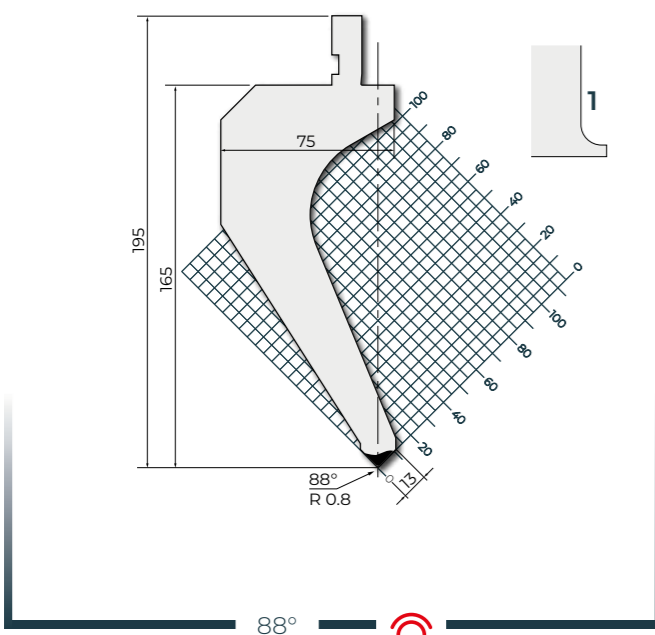
P.196.88.R06		
835 mm	€ 1.129,-	41.8 kg
415 mm	€ 645,-	20.8 kg
795 mm	€ 1.548,-	40.2 kg <b>FX</b>
805 mm	€ 1.548,-	40.2 kg <b>F</b>
900 mm	€ 1.129,-	45.0 kg

42Cr: 900-1150 N/mm<sup>2</sup> 800 kN/m max.

P.120.85.R1		
835 mm	€ 293,-	13.5 kg
415 mm	€ 175,-	6.7 kg
795 mm	€ 455,-	12.9 kg <b>FX</b>
805 mm	€ 455,-	13.0 kg <b>F</b>

42Cr: 900-1150 N/mm<sup>2</sup> 350 kN/m max.

P.130.85.R025		
835 mm	€ 319,-	11.5 kg
415 mm	€ 177,-	5.7 kg
795 mm	€ 446,-	10.9 kg <b>FX</b>
805 mm	€ 446,-	11.1 kg <b>F</b>







C45: 560-710 N/mm<sup>2</sup> 700 kN/m max.

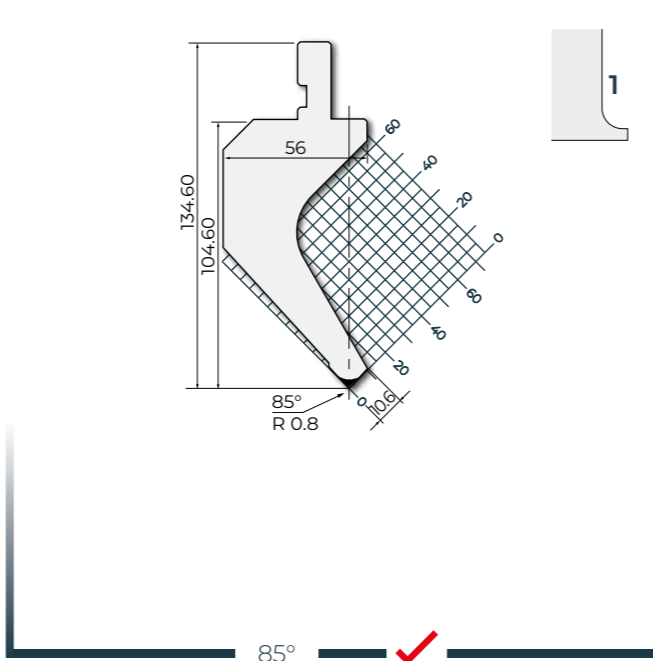
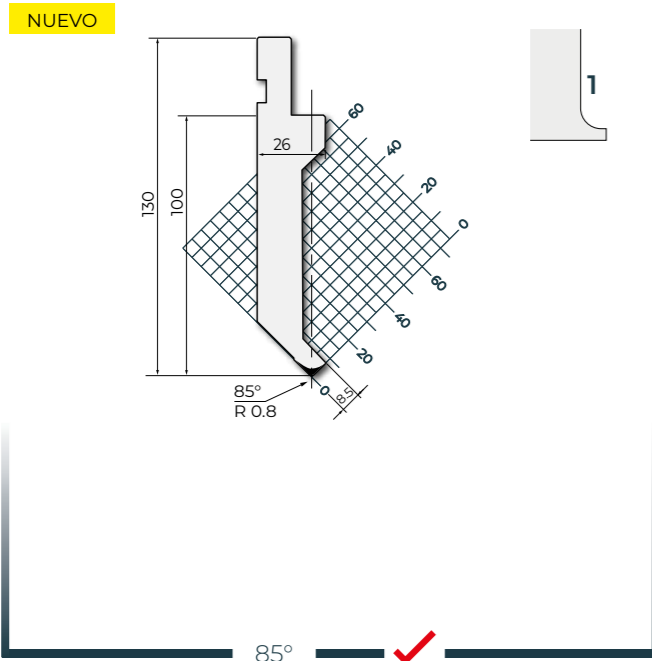
**P.130.85.R08**

835 mm	€ 240,-	13.7 kg
415 mm	€ 139,-	6.8 kg
795 mm	€ 394,-	13.0 kg <b>FX</b>
805 mm	€ 394,-	13.2 kg <b>F</b>

C45: 560-710 N/mm<sup>2</sup> 500 kN/m max.

**PK.135.85.R08**

835 mm	€ 332,-	22.2 kg
415 mm	€ 184,-	11.0 kg
795 mm	€ 482,-	21.7 kg <b>FX</b>
805 mm	€ 482,-	21.7 kg <b>F</b>



42Cr: 900-1150 N/mm<sup>2</sup> 600 kN/m max.

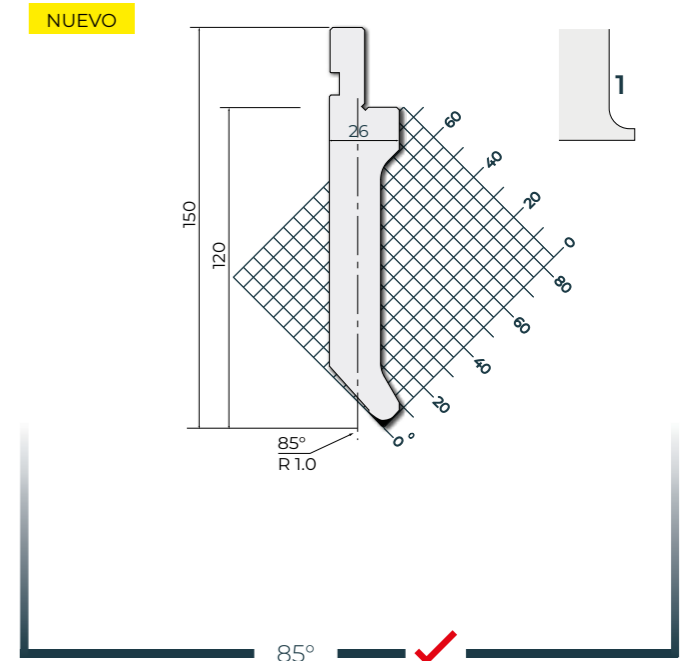
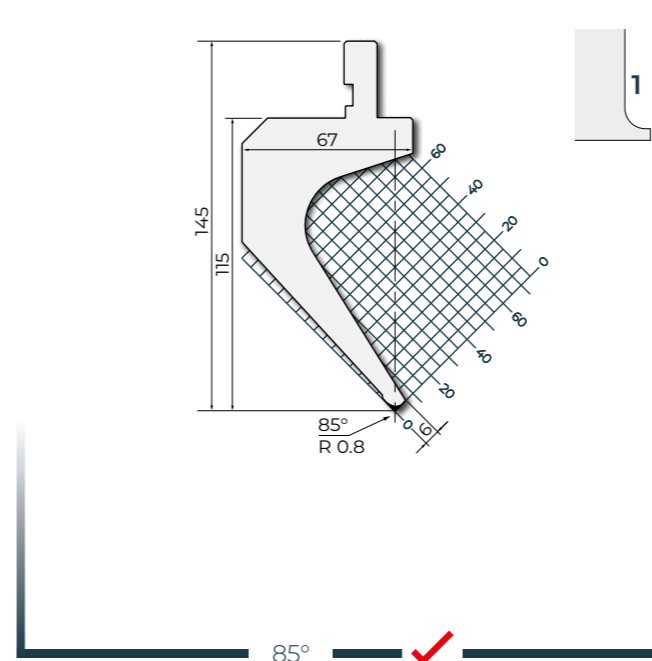
**P.145.85.R08**

835 mm	€ 685,-	22.6 kg
415 mm	€ 392,-	11.2 kg
795 mm	€ 967,-	20.0 kg <b>FX</b>
805 mm	€ 967,-	20.0 kg <b>F</b>

C45: 560-710 N/mm<sup>2</sup> 700 kN/m max.

**P.150.85.R1**

835 mm	€ 184,-	17.5 kg
415 mm	€ 107,-	8.7 kg
795 mm	€ 348,-	16.6 kg <b>FX</b>
805 mm	€ 348,-	16.9 kg <b>F</b>



42Cr: 900-1150 N/mm<sup>2</sup> 800 kN/m max.

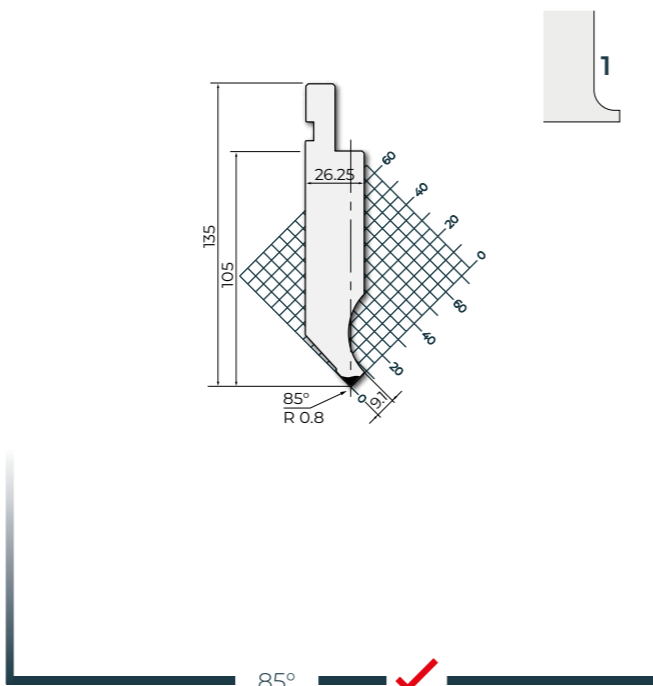
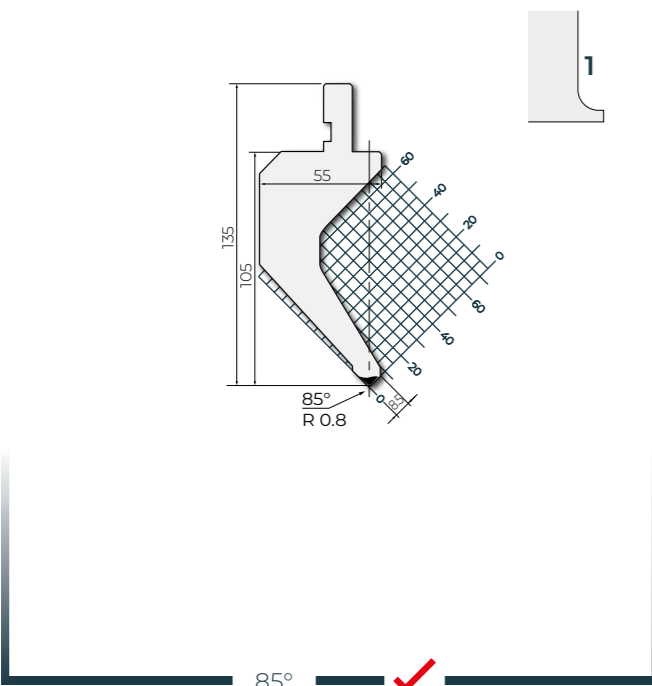
**P.135.85.R08**

835 mm	€ 555,-	20.9 kg
415 mm	€ 317,-	10.4 kg
795 mm	€ 803,-	19.2 kg <b>FX</b>
805 mm	€ 803,-	19.2 kg <b>F</b>

C45: 560-710 N/mm<sup>2</sup> 1000 kN/m max.

**PS.135.85.R08**

835 mm	€ 202,-	17.7 kg
415 mm	€ 117,-	8.5 kg
795 mm	€ 384,-	16.0 kg <b>FX</b>
805 mm	€ 384,-	16.0 kg <b>F</b>



42Cr: 900-1150 N/mm<sup>2</sup> 850 kN/m max.

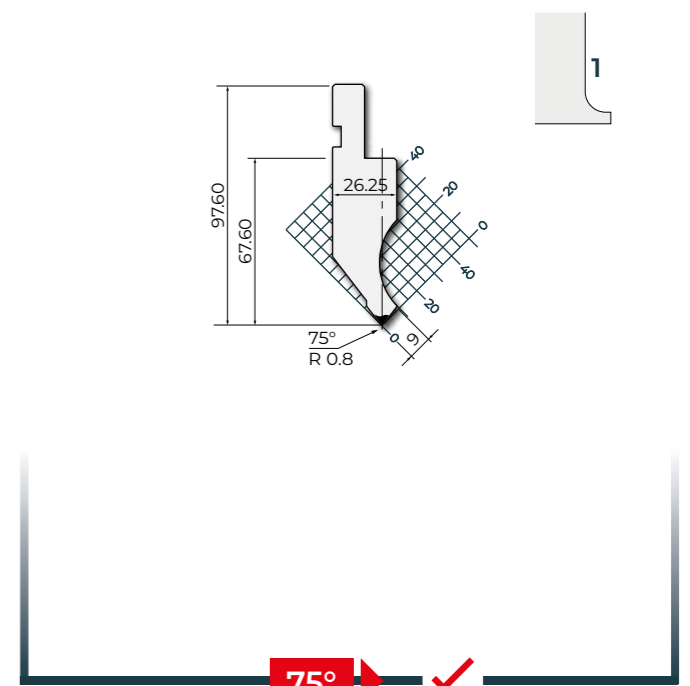
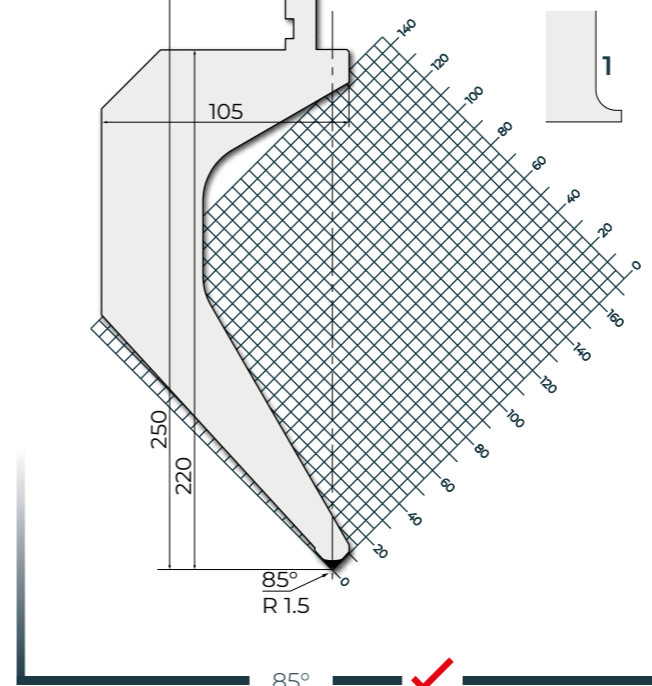
**P.250.85.R15**

415 mm	€ 1.040,-	33.1 kg
795 mm	€ 1.877,-	63.3 kg <b>FX</b>

42Cr: 900-1150 N/mm<sup>2</sup> 1000 kN/m max.

**P.97.75.R08**

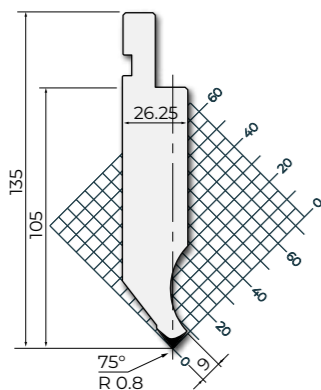
835 mm	€ 195,-	11.0 kg
415 mm	€ 113,-	5.5 kg
795 mm	€ 373,-	11.0 kg <b>FX</b>
805 mm	€ 373,-	11.0 kg <b>F</b>





42Cr: 900-1150 N/mm<sup>2</sup> 1000 kN/m max.

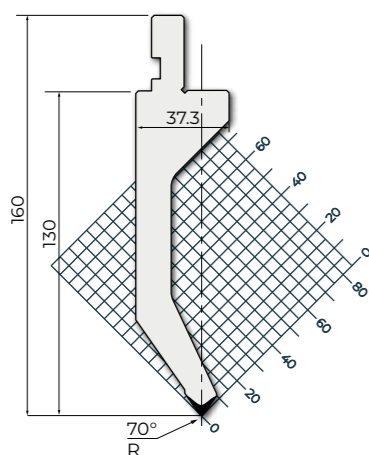
P.135.75.R08		
835 mm	€ 257,-	17.5 kg
415 mm	€ 148,-	8.8 kg
795 mm	€ 487,-	17.5 kg <b>FX</b>
805 mm	€ 487,-	17.5 kg <b>F</b>



75° ✓

42Cr: 900-1150 N/mm<sup>2</sup> 450 kN/m max. 42Cr: 900-1150 N/mm<sup>2</sup> 450 kN/m max.

P.160.70.R08			P.160.70.R3		
H=130.00 / A=160.00 / R=0.8			H=130.00 / A=160.00 / R=3.0		
835 mm	€ 454,-	18.0 kg	835 mm	€ 454,-	18.0 kg
415 mm	€ 260,-	8.9 kg	415 mm	€ 260,-	8.9 kg
795 mm	€ 647,-	17.3 kg <b>FX</b>	795 mm	€ 647,-	17.3 kg <b>FX</b>
805 mm	€ 647,-	17.3 kg <b>F</b>	805 mm	€ 647,-	17.3 kg <b>F</b>

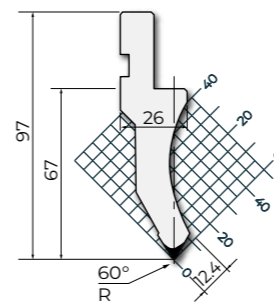


70° ✓



C45: 560-710 N/mm<sup>2</sup> 600 kN/m max. C45: 560-710 N/mm<sup>2</sup> 600 kN/m max.

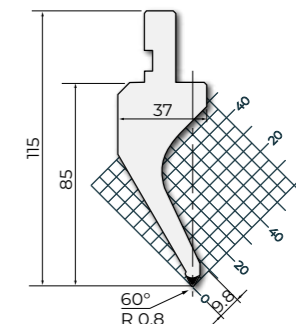
P.97.60.R08			P.97.60.R2		
H=67.00 / A=97.00 / R=0.8			H=67.00 / A=97.00 / R=2.0		
835 mm	€ 160,-	9.0 kg	835 mm	€ 160,-	9.0 kg
415 mm	€ 90,-	4.5 kg	415 mm	€ 90,-	5.0 kg
795 mm	€ 260,-	9.0 kg <b>FX</b>	795 mm	€ 260,-	9.0 kg <b>FX</b>
805 mm	€ 260,-	9.0 kg <b>F</b>	805 mm	€ 260,-	9.0 kg <b>F</b>



60° ✓

42Cr: 900-1150 N/mm<sup>2</sup> 400 kN/m max.

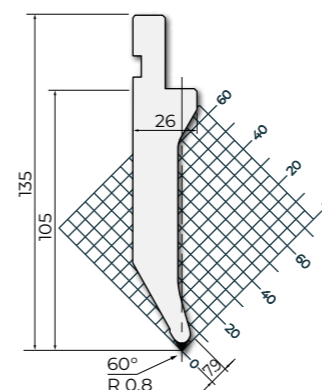
P.115.60.R08		
835 mm	€ 402,-	11.9 kg
415 mm	€ 226,-	5.9 kg
795 mm	€ 524,-	10.7 kg <b>FX</b>
805 mm	€ 524,-	10.7 kg <b>F</b>



60° ✓

42Cr: 900-1150 N/mm<sup>2</sup> 800 kN/m max.

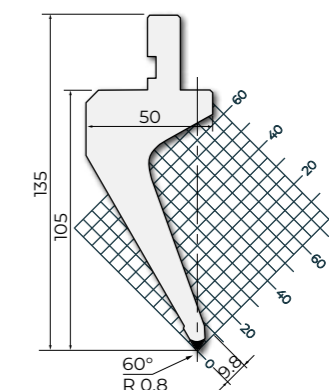
P.135.60.R08		
835 mm	€ 392,-	14.0 kg
415 mm	€ 225,-	7.0 kg
795 mm	€ 587,-	13.5 kg <b>FX</b>
805 mm	€ 587,-	13.5 kg <b>F</b>



60° ✓

42Cr: 900-1150 N/mm<sup>2</sup> 700 kN/m max.

PG.135.60.R08		
835 mm	€ 587,-	16.5 kg
415 mm	€ 326,-	8.5 kg
795 mm	€ 760,-	16.0 kg <b>FX</b>
805 mm	€ 760,-	16.0 kg <b>F</b>

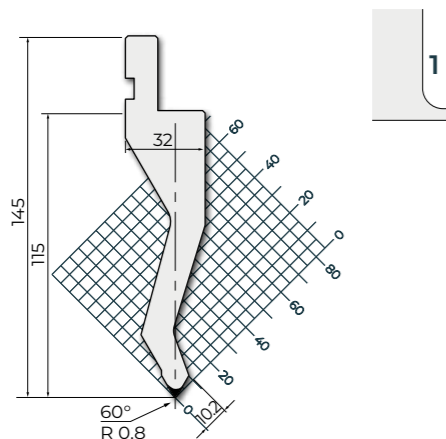


60° ✓



42Cr: 900-1150 N/mm<sup>2</sup> 700 kN/m max.

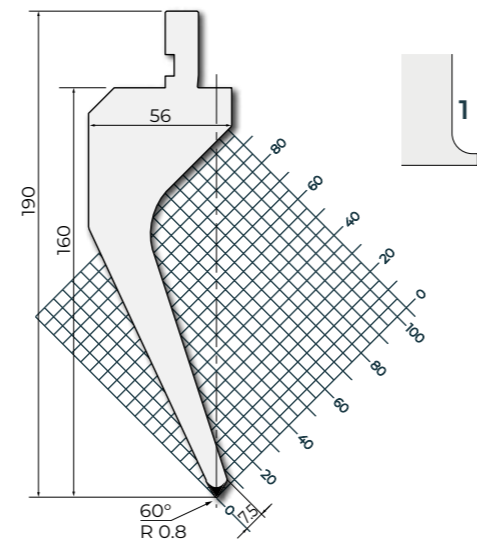
P.145.60.R08			
835 mm	€ 443,-	15.0 kg	
415 mm	€ 234,-	7.5 kg	
795 mm	€ 579,-	15.0 kg	FX
805 mm	€ 579,-	15.0 kg	F



60° ✓

C45: 560-710 N/mm<sup>2</sup> 400 kN/m max.

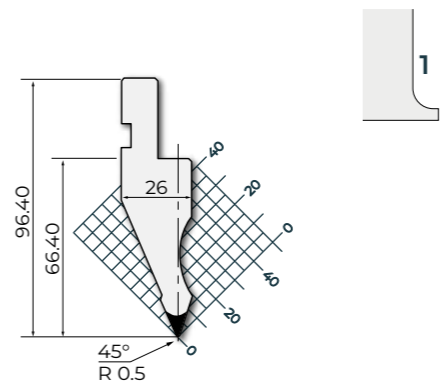
P.190.60.R08			
835 mm	€ 942,-	27.0 kg	
415 mm	€ 519,-	13.5 kg	
795 mm	€ 1.253,-	26.0 kg	FX
805 mm	€ 1.253,-	26.1 kg	F



60° ✓

C45: 560-710 N/mm<sup>2</sup> 800 kN/m max.

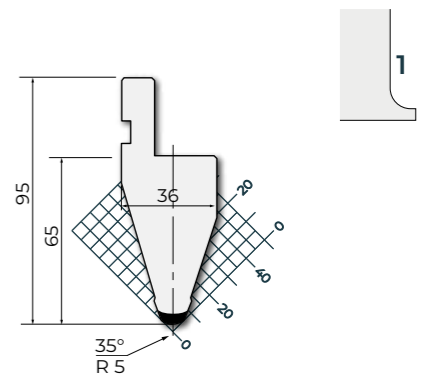
P.97.45.R05			
835 mm	€ 153,-	10.2 kg	
415 mm	€ 87,-	5.1 kg	
795 mm	€ 249,-	10.2 kg	FX
805 mm	€ 249,-	10.2 kg	F
900 mm	€ 352,-	10.2 kg	



45° ✓

C45: 560-710 N/mm<sup>2</sup> 1000 kN/m max.

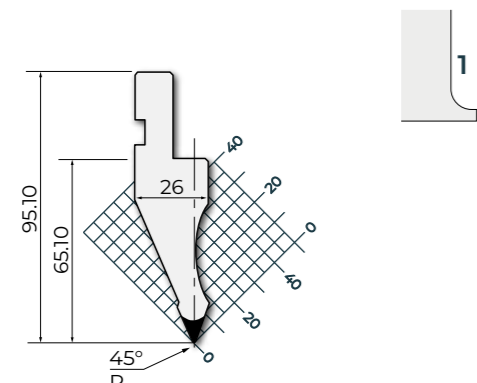
P.95.35.R5			
835 mm	€ 214,-	13.5 kg	
415 mm	€ 123,-	7.0 kg	
795 mm	€ 344,-	14.0 kg	FX
805 mm	€ 344,-	14.0 kg	F



35° ✓

C45: 560-710 N/mm<sup>2</sup> 800 kN/m max. C45: 560-710 N/mm<sup>2</sup> 800 kN/m max.

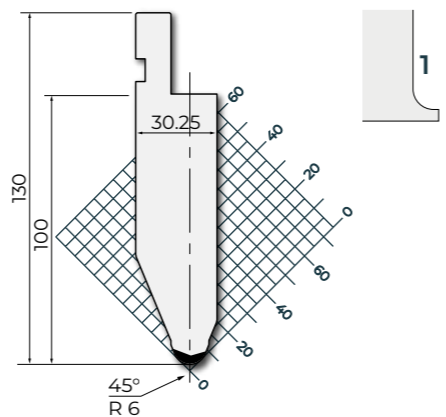
P.95.45.R08				P.95.45.R15			
H=65.10 / A=95.10 / R=0.8				H=65.10 / A=95.10 / R=1.5			
835 mm	€ 171,-	9.5 kg		835 mm	€ 153,-	9.5 kg	
415 mm	€ 95,-	4.2 kg		415 mm	€ 87,-	4.2 kg	
795 mm	€ 286,-	9.0 kg	FX	795 mm	€ 249,-	9.5 kg	FX
805 mm	€ 286,-	9.0 kg	F	805 mm	€ 249,-	9.5 kg	F



45° ✓

C45: 560-710 N/mm<sup>2</sup> 1000 kN/m max.

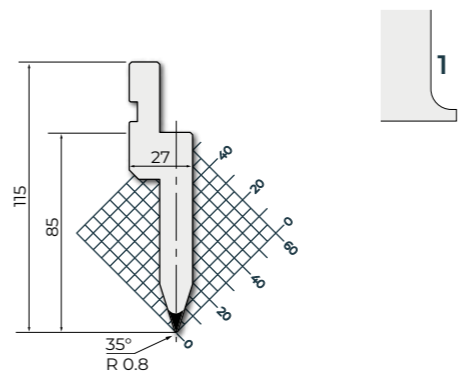
P.130.45.R6			
835 mm	€ 208,-	19.5 kg	
415 mm	€ 119,-	9.6 kg	
795 mm	€ 328,-	18.3 kg	FX
805 mm	€ 328,-	18.3 kg	F



45° ✓

C45: 560-710 N/mm<sup>2</sup> 1000 kN/m max.

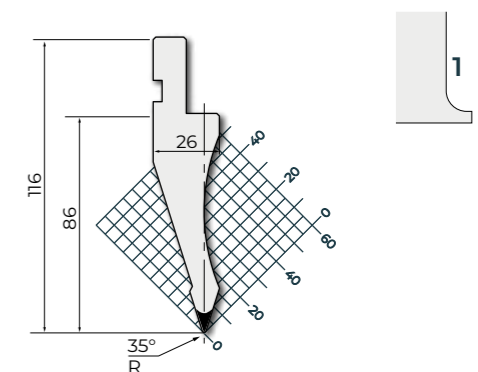
PU.85.35.R08			
835 mm	€ 166,-	11.0 kg	
415 mm	€ 98,-	5.5 kg	
795 mm	€ 277,-	10.5 kg	FX
805 mm	€ 277,-	10.5 kg	F



35° ✓

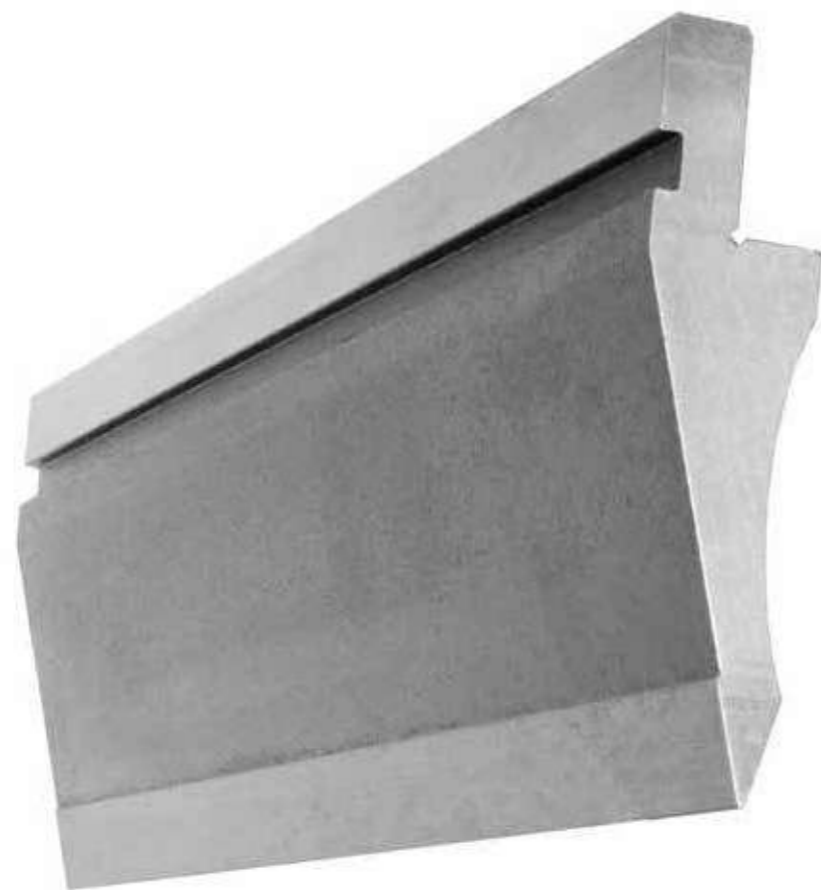
C45: 560-710 N/mm<sup>2</sup> 700 kN/m max. C45: 560-710 N/mm<sup>2</sup> 700 kN/m max.

P.116.35.R08				P.116.35.R15			
H=86.00 / A=116.00 / R=0.8				H=86.00 / A=116.00 / R=1.5			
835 mm	€ 173,-	10.5 kg		835 mm	€ 173,-	11.0 kg	
415 mm	€ 98,-	5.7 kg		415 mm	€ 98,-	5.7 kg	
795 mm	€ 278,-	10.1 kg	FX	795 mm	€ 278,-	10.0 kg	FX
805 mm	€ 278,-	10.1 kg	F	805 mm	€ 278,-	10.0 kg	F



35° ✓





C45: 560-710 N/mm<sup>2</sup> 700 kN/m max.

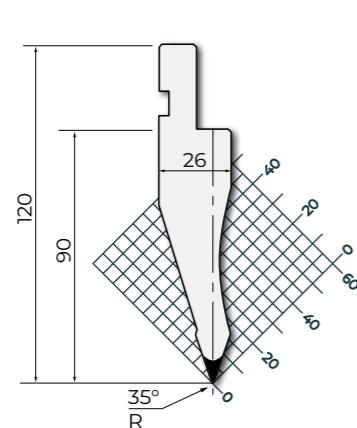
P.120.35.R08		
H=90.00 / A=120.00 / R=0.8		
835 mm	€ 176,-	12.3 kg
415 mm	€ 99,-	6.1 kg
795 mm	€ 284,-	11.5 kg <b>FX</b>
805 mm	€ 284,-	11.5 kg <b>F</b>

C45: 560-710 N/mm<sup>2</sup> 700 kN/m max.

P.120.35.R15		
H=90.00 / A=120.00 / R=1.5		
835 mm	€ 176,-	12.5 kg
415 mm	€ 99,-	6.0 kg
795 mm	€ 284,-	12.0 kg <b>FX</b>
805 mm	€ 284,-	12.0 kg <b>F</b>

C45: 560-710 N/mm<sup>2</sup> 700 kN/m max.

P.120.35.R3		
H=90.00 / A=120.00 / R=3.0		
835 mm	€ 208,-	13.0 kg
415 mm	€ 120,-	6.4 kg
795 mm	€ 359,-	12.0 kg <b>FX</b>
805 mm	€ 359,-	12.0 kg <b>F</b>



35°

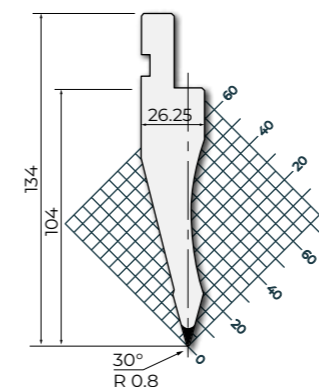


C45: 560-710 N/mm<sup>2</sup> 700 kN/m max.

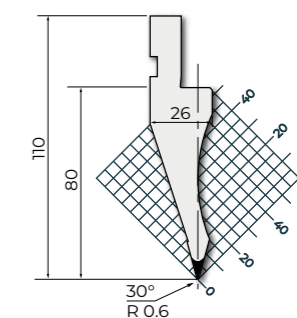
PS.134.30.R08		
835 mm	€ 281,-	13.3 kg
415 mm	€ 164,-	6.5 kg
795 mm	€ 432,-	12.5 kg <b>FX</b>
805 mm	€ 432,-	12.5 kg <b>F</b>

C45: 560-710 N/mm<sup>2</sup> 500 kN/m max.

P.110.30.R06		
835 mm	€ 281,-	10.5 kg
415 mm	€ 164,-	5.2 kg
795 mm	€ 431,-	10.0 kg <b>FX</b>
805 mm	€ 431,-	10.0 kg <b>F</b>



30°



30°

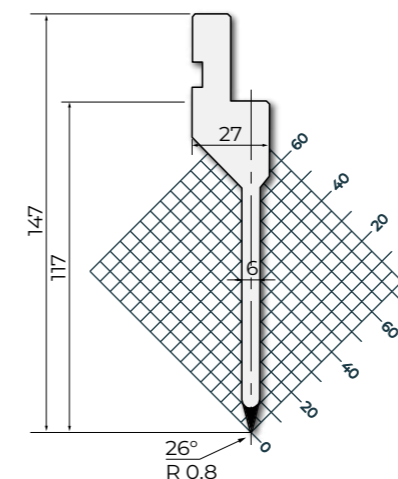


42Cr: 900-1150 N/mm<sup>2</sup> 500 kN/m max.

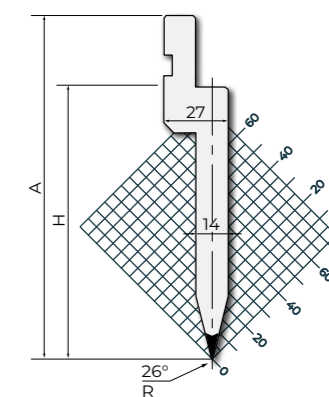
P.147.26.R08		
835 mm	€ 417,-	9.8 kg
415 mm	€ 236,-	4.9 kg
795 mm	€ 624,-	9.8 kg <b>FX</b>
805 mm	€ 624,-	9.8 kg <b>F</b>

C45: 560-710 N/mm<sup>2</sup> 1000 kN/m max. C45: 560-710 N/mm<sup>2</sup> 1000 kN/m max.

PU.117.26.R08		PU.117.26.R3		
H=117.00 / A=147.00 / R=0.8		H=109.00 / A=139.00 / R=3.0		
835 mm	€ 179,-	13.5 kg	835 mm € 353,-	13.5 kg
415 mm	€ 107,-	6.5 kg	415 mm € 211,-	6.7 kg
795 mm	€ 293,-	12.6 kg <b>FX</b>	795 mm € 466,-	13.5 kg <b>FX</b>
805 mm	€ 293,-	12.6 kg <b>F</b>	805 mm € 466,-	13.5 kg <b>F</b>



26°

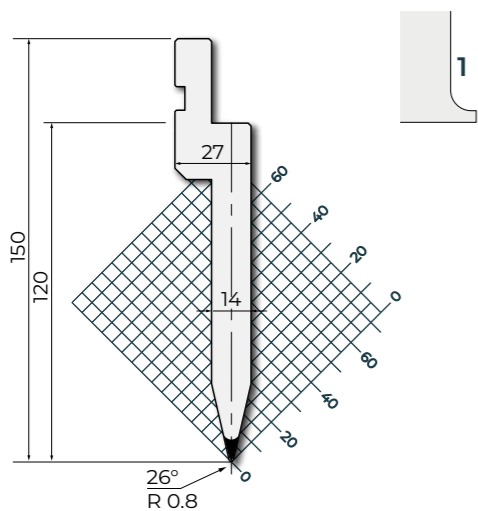


26°



C45: 560-710 N/mm<sup>2</sup> 1000 kN/m max.

PU.150.26.R08.L		
900 mm	€ 406,-	15.0 kg
415 mm	€ 232,-	6.2 kg
795 mm	€ 533,-	12.0 kg <b>FX</b>
805 mm	€ 533,-	12.0 kg <b>F</b>

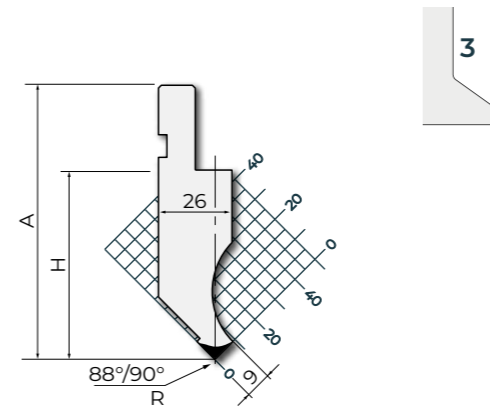


26°



C45: 560-710 N/mm<sup>2</sup> 1000 kN/m max.

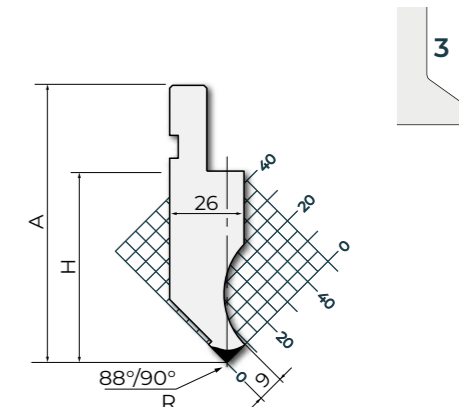
00402		01602	
H=66.90 / A=96.90 / R=0.2 / 88°		H=66.92 / A=96.92 / R=0.2 / 90°	
835 mm	€ 141,- 11.0 kg	835 mm	€ 141,- 11.0 kg
415 mm	€ 81,- 5.5 kg	415 mm	€ 81,- 5.5 kg
795 mm	€ 268,- 10.5 kg <b>FX</b>	795 mm	€ 268,- 10.5 kg <b>FX</b>
800 mm	€ 268,- 10.5 kg <b>FC</b>	800 mm	€ 268,- 10.5 kg <b>FC</b>



88° - 90°

C45: 560-710 N/mm<sup>2</sup> 1000 kN/m max.

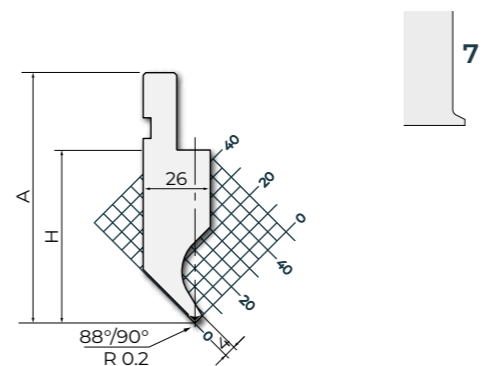
00430		01630	
H=65.68 / A=95.68 / R=3.0 / 88°		H=65.60 / A=95.60 / R=3.0 / 90°	
835 mm	€ 141,- 11.1 kg	835 mm	€ 141,- 11.0 kg
415 mm	€ 81,- 5.5 kg	415 mm	€ 81,- 5.5 kg
795 mm	€ 268,- 10.5 kg <b>FX</b>	795 mm	€ 268,- 10.5 kg <b>FX</b>
800 mm	€ 268,- 10.5 kg <b>FC</b>	800 mm	€ 268,- 10.5 kg <b>FC</b>



88° - 90°

42Cr: 900-1150 N/mm<sup>2</sup> 200 kN/m max.

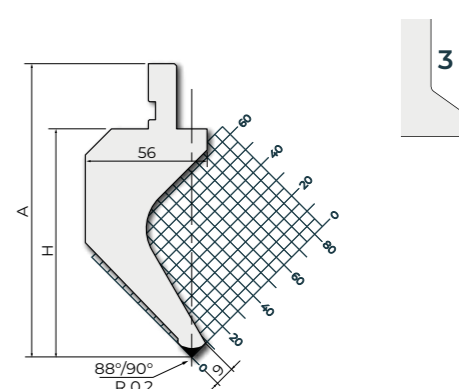
11700		11600	
H=66.91 / A=96.91 / R=0.2 / 88°		H=66.91 / A=96.91 / R=0.2 / 90°	
835 mm	€ 200,- 10.7 kg	835 mm	€ 200,- 11.0 kg
415 mm	€ 111,- 5.3 kg	415 mm	€ 111,- 5.5 kg
795 mm	€ 317,- 10.3 kg <b>FX</b>	795 mm	€ 263,- 10.1 kg <b>FX</b>
800 mm	€ 317,- 10.2 kg <b>FC</b>	800 mm	€ 317,- 11.0 kg <b>FC</b>



88° - 90°

42Cr: 900-1150 N/mm<sup>2</sup> 500 kN/m max.

04502		04600	
H=104.91 / A=134.91 / R=0.2 / 88°		H=104.91 / A=134.91 / R=0.2 / 90°	
835 mm	€ 340,- 22.0 kg	835 mm	€ 475,- 22.0 kg
415 mm	€ 257,- 10.9 kg	415 mm	€ 257,- 11.0 kg
795 mm	€ 581,- 22.0 kg <b>FX</b>	795 mm	€ 581,- 21.0 kg <b>FX</b>
800 mm	€ 581,- 22.0 kg <b>FC</b>	800 mm	€ 581,- 21.3 kg <b>FC</b>



88° - 90°

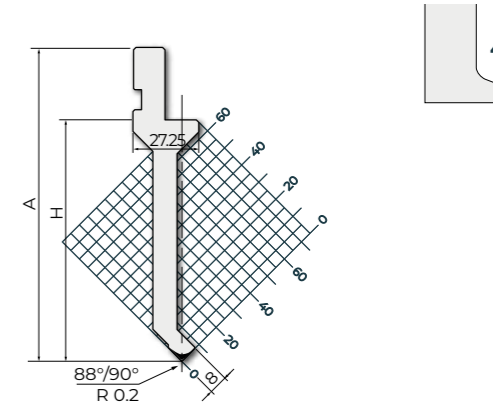
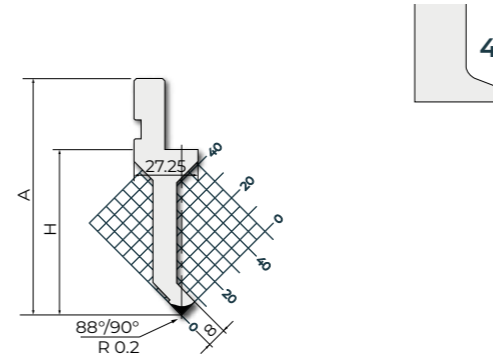
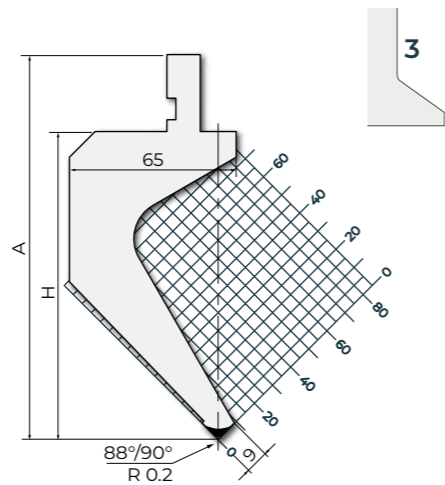
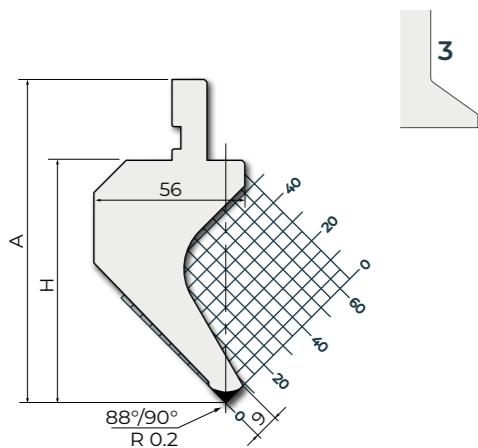


42Cr: 900-1150 N/mm <sup>2</sup> 700 kN/m max.			42Cr: 900-1150 N/mm <sup>2</sup> 700 kN/m max.		
45202			46200		
H=89.91 / A=119.91 / R=0.2 / 88°			H=89.91 / A=119.91 / R=0.2 / 90°		
835 mm	€ 307,-	19.6 kg	835 mm	€ 307,-	19.6 kg
415 mm	€ 225,-	9.7 kg	415 mm	€ 225,-	9.8 kg
795 mm	€ 549,-	18.9 kg <b>FX</b>	795 mm	€ 549,-	18.7 kg <b>FX</b>
800 mm	€ 549,-	18.9 kg <b>FC</b>	800 mm	€ 549,-	18.9 kg <b>FC</b>

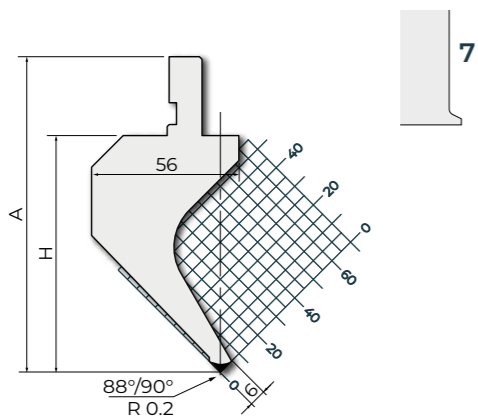
42Cr: 900-1150 N/mm <sup>2</sup> 500 kN/m max.			42Cr: 900-1150 N/mm <sup>2</sup> 500 kN/m max.		
04702			04800		
H=120.00 / A=150.00 / R=0.2 / 88°			H=120.00 / A=150.00 / R=0.2 / 90°		
835 mm	€ 603,-	25.8 kg	835 mm	€ 603,-	25.9 kg
415 mm	€ 374,-	12.9 kg	415 mm	€ 374,-	12.9 kg
795 mm	€ 710,-	24.6 kg <b>FX</b>	795 mm	€ 710,-	24.6 kg <b>FX</b>
800 mm	€ 710,-	24.9 kg <b>FC</b>	800 mm	€ 710,-	24.9 kg <b>FC</b>

42Cr: 900-1150 N/mm <sup>2</sup> 300 kN/m max.			42Cr: 900-1150 N/mm <sup>2</sup> 300 kN/m max.		
20000			20100		
H=69.91 / A=99.91 / R=0.2 / 88°			H=69.91 / A=99.91 / R=0.2 / 90°		
835 mm	€ 217,-	7.9 kg	835 mm	€ 217,-	7.9 kg
415 mm	€ 111,-	3.9 kg	415 mm	€ 111,-	3.9 kg
795 mm	€ 329,-	7.5 kg <b>FX</b>	795 mm	€ 329,-	7.6 kg <b>FX</b>
800 mm	€ 329,-	7.5 kg <b>FC</b>	800 mm	€ 329,-	7.7 kg <b>FC</b>

42Cr: 900-1150 N/mm <sup>2</sup> 300 kN/m max.			42Cr: 900-1150 N/mm <sup>2</sup> 300 kN/m max.		
20200			20300		
H=99.91 / A=129.91 / R=0.2 / 88°			H=99.91 / A=129.91 / R=0.2 / 90°		
835 mm	€ 294,-	10.0 kg	835 mm	€ 294,-	10.0 kg
415 mm	€ 171,-	5.0 kg	415 mm	€ 171,-	5.0 kg
795 mm	€ 457,-	9.5 kg <b>FX</b>	795 mm	€ 457,-	9.5 kg <b>FX</b>
800 mm	€ 457,-	9.6 kg <b>FC</b>	800 mm	€ 457,-	9.6 kg <b>FC</b>



42Cr: 900-1150 N/mm <sup>2</sup> 500 kN/m max.			42Cr: 900-1150 N/mm <sup>2</sup> 500 kN/m max.		
45302			46300		
H=89.91 / A=119.91 / R=0.2 / 88°			H=89.91 / A=119.91 / R=0.2 / 90°		
835 mm	€ 419,-	18.6 kg	835 mm	€ 300,-	18.6 kg
415 mm	€ 222,-	9.3 kg	415 mm	€ 222,-	9.3 kg
795 mm	€ 545,-	17.7 kg <b>FX</b>	795 mm	€ 545,-	17.7 kg <b>FX</b>
800 mm	€ 545,-	17.9 kg <b>FC</b>	800 mm	€ 545,-	17.9 kg <b>FC</b>

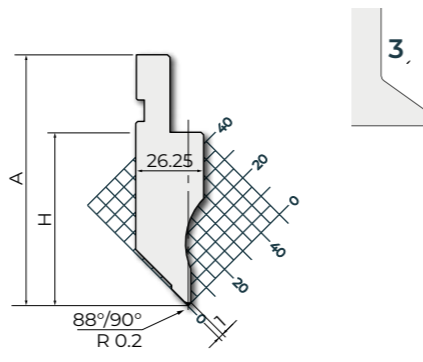
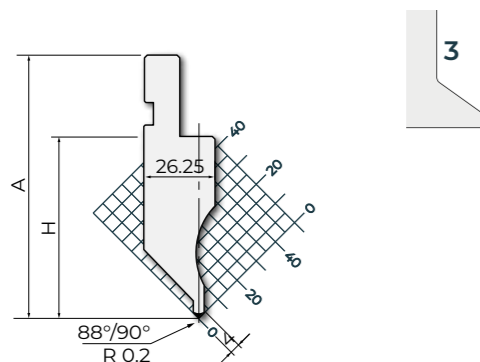






C45: 560-710 N/mm <sup>2</sup> 1000 kN/m max.			C45: 560-710 N/mm <sup>2</sup> 400 kN/m max.		
<b>00480</b>			<b>01680</b>		
H=66.91 / A=96.91 / R=0.2 / 88°			H=66.91 / A=96.91 / R=0.2 / 90°		
835 mm	€ 141,-	11.0 kg	835 mm	€ 206,-	10.7 kg
415 mm	€ 81,-	5.5 kg	415 mm	€ 134,-	5.5 kg
795 mm	€ 268,-	10.5 kg	795 mm	€ 336,-	10.2 kg
800 mm	€ 268,-	10.5 kg	800 mm	€ 336,-	10.3 kg

C45: 560-710 N/mm <sup>2</sup> 800 kN/m max.			C45: 560-710 N/mm <sup>2</sup> 800 kN/m max.		
<b>00490</b>			<b>01690</b>		
H=66.91 / A=96.91 / R=0.2 / 88°			H=66.91 / A=96.91 / R=0.2 / 90°		
835 mm	€ 190,-	11.0 kg	835 mm	€ 190,-	11.0 kg
415 mm	€ 119,-	5.5 kg	415 mm	€ 119,-	5.5 kg
795 mm	€ 312,-	10.5 kg	795 mm	€ 312,-	10.5 kg
800 mm	€ 312,-	10.6 kg	800 mm	€ 312,-	10.6 kg



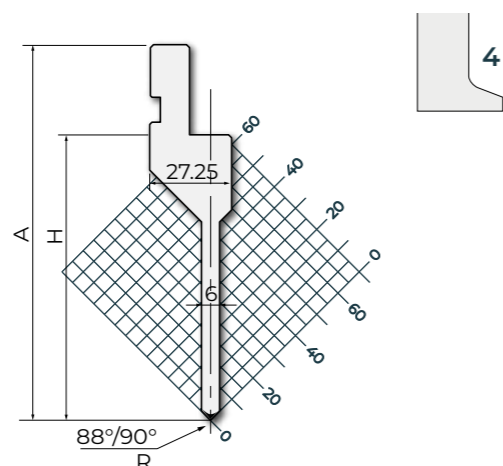
88° - 90°

88° - 90°

42Cr: 900-1150 N/mm <sup>2</sup> 500 kN/m max.		
<b>10900</b>		
H=94.91 / A=124.91 / R=0.2 / 88°		
835 mm	€ 235,-	9.0 kg
415 mm	€ 108,-	4.5 kg
795 mm	€ 474,-	8.5 kg
800 mm	€ 474,-	8.6 kg

42Cr: 900-1150 N/mm <sup>2</sup> 500 kN/m max.		
<b>10906</b>		
H=94.74 / A=124.74 / R=0.6 / 88°		
835 mm	€ 235,-	9.0 kg
415 mm	€ 108,-	4.5 kg
795 mm	€ 474,-	8.5 kg
800 mm	€ 474,-	8.6 kg

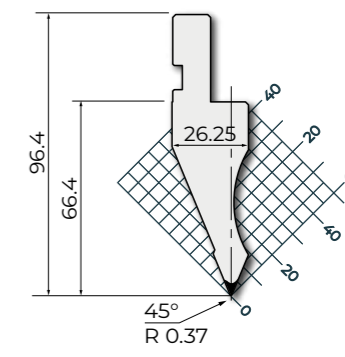
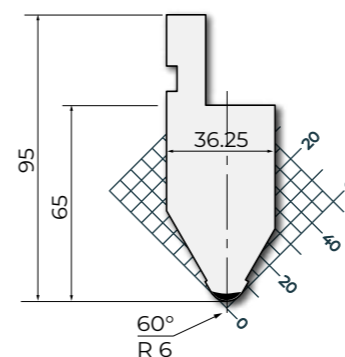
42Cr: 900-1150 N/mm <sup>2</sup> 500 kN/m max.		
<b>10800</b>		
H=94.91 / A=124.91 / R=0.2 / 90°		
835 mm	€ 235,-	11.0 kg
415 mm	€ 108,-	5.5 kg
795 mm	€ 474,-	8.5 kg
800 mm	€ 474,-	8.6 kg



88° - 90°

C45: 560-710 N/mm <sup>2</sup> 1000 kN/m max.		
<b>00300</b>		
835 mm	€ 208,-	15.0 kg
415 mm	€ 119,-	7.5 kg
795 mm	€ 334,-	14.4 kg
800 mm	€ 334,-	14.4 kg

C45: 560-710 N/mm <sup>2</sup> 600 kN/m max.		
<b>00800</b>		
835 mm	€ 158,-	9.3 kg
415 mm	€ 95,-	4.6 kg
795 mm	€ 231,-	9.3 kg
800 mm	€ 231,-	9.3 kg

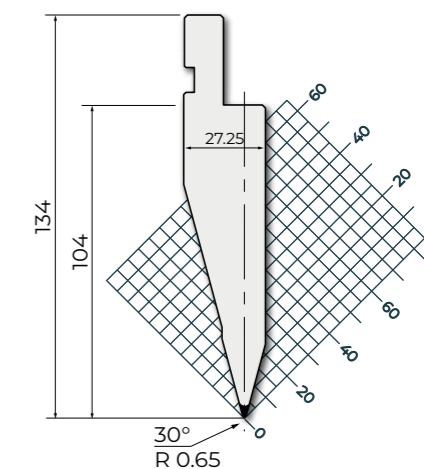
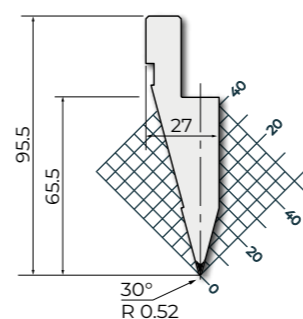


60°

45°

42Cr: 900-1150 N/mm <sup>2</sup> 1000 kN/m max.		
<b>10300</b>		
835 mm	€ 217,-	11.0 kg
415 mm	€ 119,-	5.5 kg
795 mm	€ 316,-	10.4 kg
800 mm	€ 316,-	10.5 kg

C45: 560-710 N/mm <sup>2</sup> 1000 kN/m max.		
<b>21000</b>		
835 mm	€ 217,-	15.3 kg
415 mm	€ 119,-	7.6 kg
795 mm	€ 316,-	14.5 kg
800 mm	€ 316,-	14.6 kg



30°

30°

Rolleri le ofrece una solución de altura fija compatible con Amada y otros estilos europeos de herramientas de plegado de altura fija. Ofrecemos la mejor solución en formas, garantizando aumentar la flexibilidad de su plegadora.

Todas las herramientas Rolleri están fabricadas para garantizar la precisión de plegado. Utilizando únicamente aceros de la mejor calidad del mercado y aplicando un endurecimiento por inducción hasta 60 HRC, ofrecemos herramientas que se alinean con una tolerancia de +/- .0004 "- 0,01 mm y tienen la vida útil más larga del mercado.

Rolleri ofrece las mejores soluciones estándar basadas en 30 años de experiencia en más de 65 países de todo el mundo.

También fabricamos soluciones personalizadas para cualquier necesidad de plegado y aplicaciones que otorgan siempre la mejor calidad y precisión en todas y cada una de nuestras herramientas.

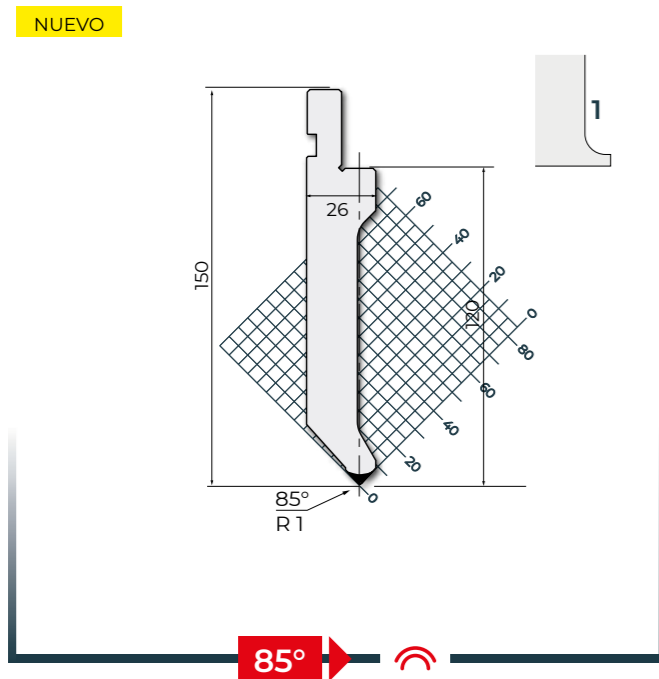
ESTÁNDAR GOOSENECK SASH NARROW ACUTE



C45: 560-710 N/mm<sup>2</sup> 700 kN/m max.

AFH.150.85.R1		
835 mm	€ 184,-	17.5 kg
415 mm	€ 107,-	8.7 kg
795 mm	€ 348,-	16.6 kg <b>FX</b>
805 mm	€ 348,-	16.9 kg <b>F</b>

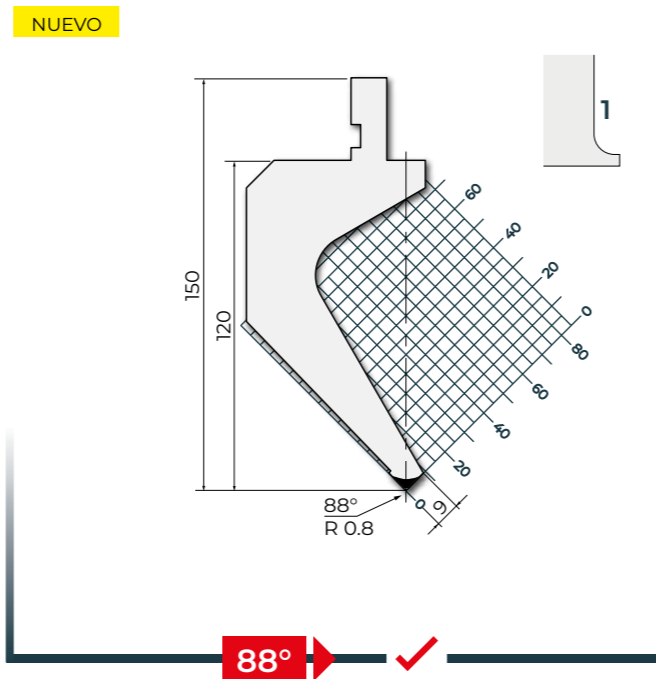
También disponible H=85



42Cr: 900-1150 N/mm<sup>2</sup> 500 kN/m max.

AFH.150.88.R08		
835 mm	€ 603,-	21.0 kg
415 mm	€ 374,-	10.5 kg
795 mm	€ 710,-	20.5 kg <b>FX</b>
800 mm	€ 710,-	20.5 kg <b>FC</b>

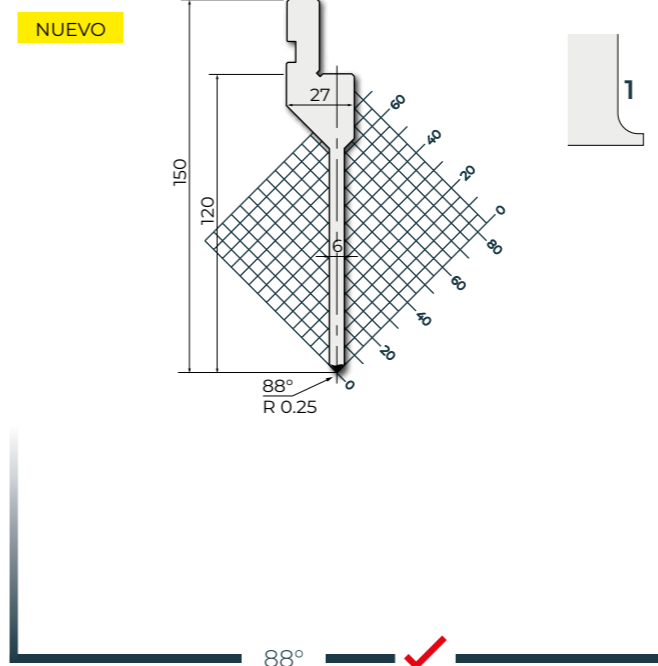
También disponible H=85



42Cr: 900-1150 N/mm<sup>2</sup> 500 kN/m max.

AFH.150.88.R025		
900 mm	€ 646,-	10.6 kg
415 mm	€ 370,-	5.3 kg
795 mm	€ 799,-	10.1 kg <b>FX</b>
805 mm	€ 799,-	10.2 kg <b>F</b>

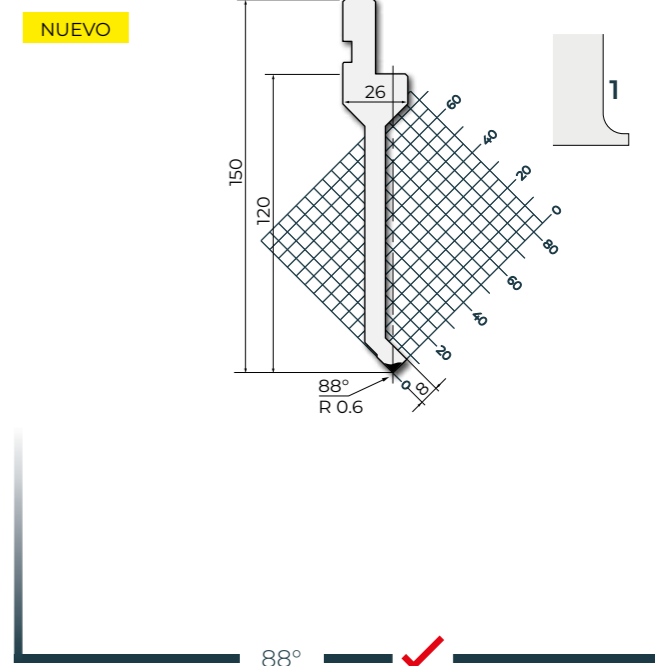
También disponible H=85



42Cr: 900-1150 N/mm<sup>2</sup> 350 kN/m max.

AFH.150.88.R06		
900 mm	€ 596,-	12.9 kg
415 mm	€ 340,-	5.9 kg
795 mm	€ 749,-	12.2 kg <b>FX</b>
805 mm	€ 749,-	12.4 kg <b>F</b>

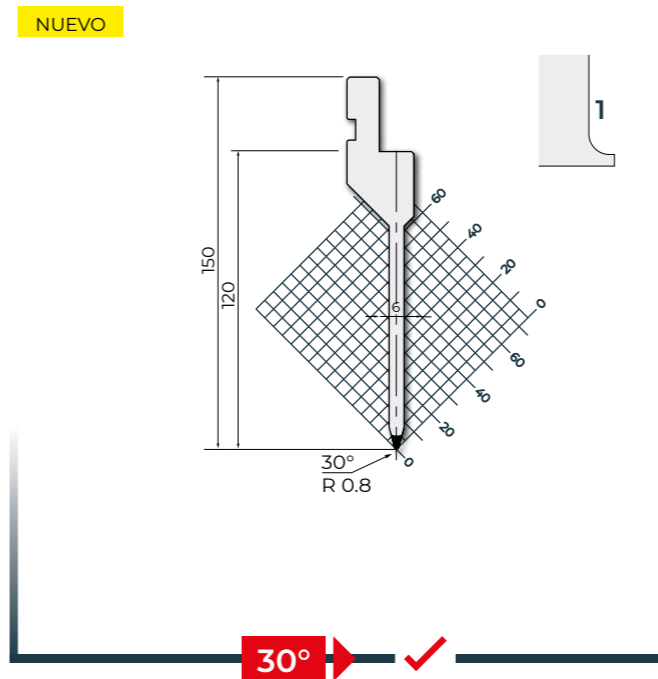
También disponible H=85



42Cr: 900-1150 N/mm<sup>2</sup> 500 kN/m max.

AFH.150.30.R08		
900 mm	€ 695,-	10.8 kg
415 mm	€ 419,-	4.98 kg
795 mm	€ 848,-	9.5 kg <b>FX</b>
805 mm	€ 848,-	9.6 kg <b>F</b>

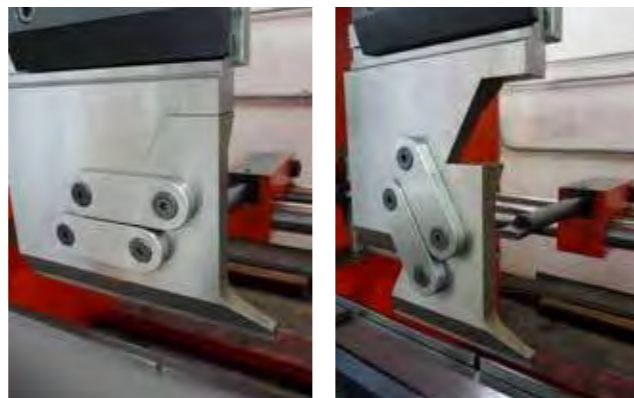
También disponible H=85



## Bigornias móviles - R1

- ▶ Para facilitar la retirada de la chapa
- ▶ Pueden ser fabricados para los siguientes modelos de útiles:

88°	85°	70°	60°	26°
P97.88.R06	TOP.175.85.R08	P.160.70.R08	P.135.60.R08	PU.117.26.R08
P97.88.R08	TOP.205.85.R08		P.145.60.R08	TOP.205.26.R08
P.130.88.R08			TOP.175.60.R08	TOP.175.26.R08
P.150.88.R08				

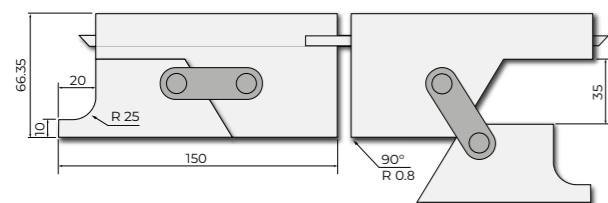


C45: 560-710 N/mm<sup>2</sup> 150 kN/m max.

### SCA.M.90.R08

€ 920,- 3,5 kg

1 Kit derecha/izquierda compatible con PK.97.90.R08



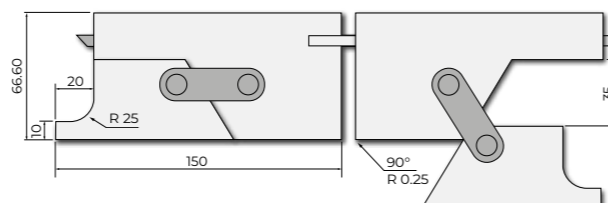
90°

C45: 560-710 N/mm<sup>2</sup> 150 kN/m max.

### SCA.M.90.R025

€ 920,- 3,5 kg

1 Kit derecha/izquierda compatible con PK.97.90.R025



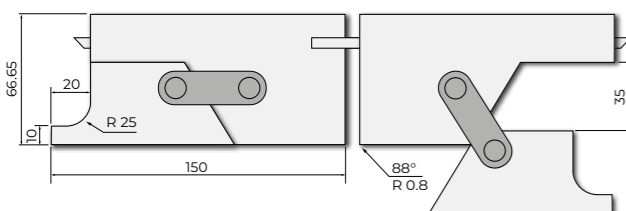
90°

C45: 560-710 N/mm<sup>2</sup> 150 kN/m max.

### SCA.M.88.R08

€ 920,- 3,5 kg

1 Kit derecha/izquierda compatible con P.97.88.R08



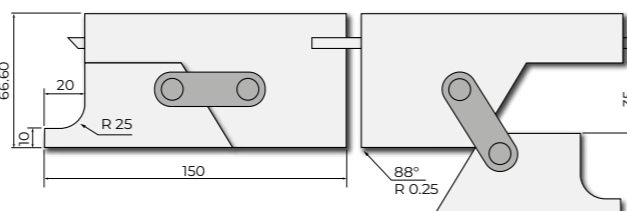
88°

C45: 560-710 N/mm<sup>2</sup> 150 kN/m max.

### SCA.M.88.R025

€ 920,- 3,5 kg

1 Kit derecha/izquierda compatible con PK.97.88.R025



88°

## Punzones para perfiles cerrados - R1



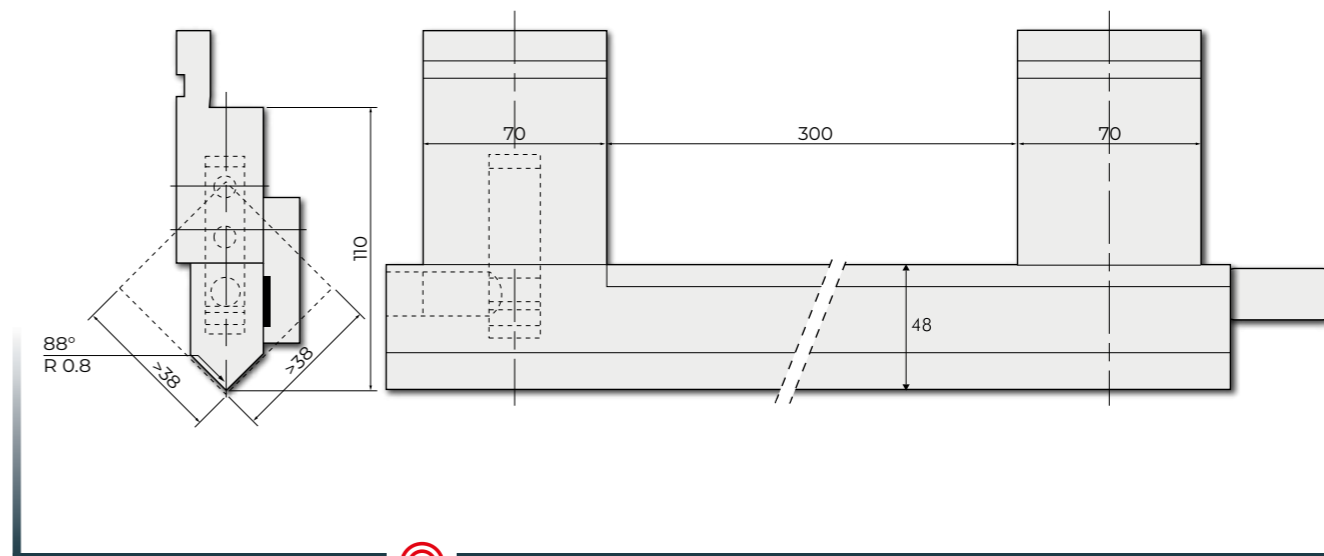
R1

42Cr: 900-1150 N/mm<sup>2</sup>

150 kN/m max.

### SPE.11

7,0 kg pZ.



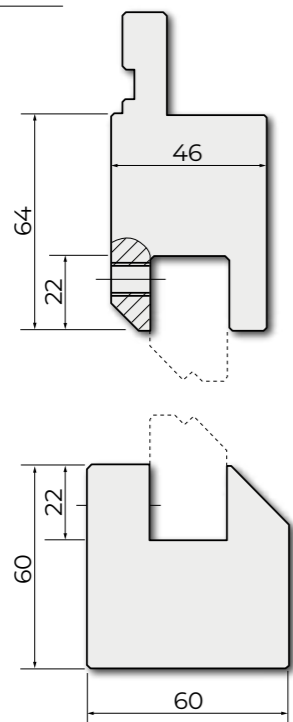


Soportes para útiles de plegado en Z - (R1)

C45: 560-710 N/mm<sup>2</sup> 1000 kN/m max.

**CPZ**

835 mm	€ 739,-	37.5 kg
415 mm	€ 450,-	18.7 kg



Soportes y útiles para curvar - (R1)

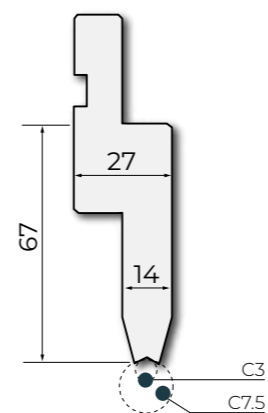


R1

C45: 560-710 N/mm<sup>2</sup> 400 kN/m max.

**PU.67.14-S**

830 mm	€ 292,-	9.7 kg
410 mm	€ 175,-	5.0 kg

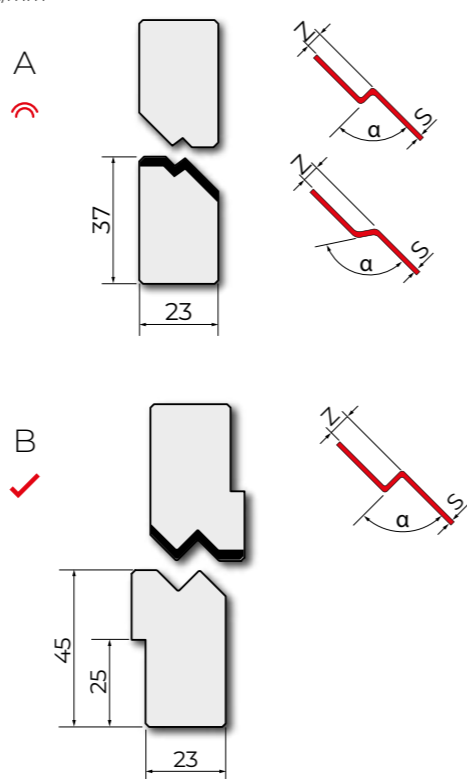


C45: 560-710 N/mm<sup>2</sup> 1000 kN/m max.

**Útil para plegar en Z**

Z [mm]	α [mm]	s* [mm]	835 mm		415 mm	
CEZ 1.0	1.0	160°	1.2	€ 379,-	11.0 kg	€ 232,- 5.5 kg A
CEZ 1.5	1.5	160°	1.5	€ 379,-	11.0 kg	€ 232,- 5.5 kg A
CEZ 2.0	2.0	150°	1.4	€ 379,-	11.0 kg	€ 232,- 5.5 kg A
CEZ 2.5	2.5	140°	1.3	€ 379,-	11.0 kg	€ 232,- 5.5 kg A
CEZ 1.0/90	1.0	90°	0.3	€ 379,-	11.0 kg	€ 232,- 5.5 kg A
CEZ 1.5/90	1.5	90°	0.3	€ 379,-	11.0 kg	€ 232,- 5.5 kg A
CEZ 2.0/90	2.0	90°	0.4	€ 379,-	11.0 kg	€ 232,- 5.5 kg A
CEZ 2.5/90	2.5	90°	0.5	€ 379,-	11.0 kg	€ 232,- 5.5 kg A
CEZ 3.0	3.0	90°	1.0	€ 379,-	10.3 kg	€ 232,- 5.1 kg A
CEZ 3.5	3.5	90°	1.0	€ 379,-	10.0 kg	€ 232,- 5.0 kg A
CEZ 4.0	4.0	90°	1.2	€ 379,-	10.0 kg	€ 232,- 5.0 kg A
CEZ 4.5	4.5	90°	1.2	€ 379,-	10.0 kg	€ 232,- 5.0 kg A
CEZ 5.0	5.0	90°	1.3	€ 379,-	10.0 kg	€ 232,- 5.0 kg A
CEZ 5.5	5.5	90°	1.4	€ 379,-	10.0 kg	€ 232,- 5.0 kg A
CEZ 6.0	6.0	90°	1.5	€ 379,-	10.0 kg	€ 232,- 5.0 kg A
CEZ 6.5	6.5	90°	1.5	€ 379,-	10.0 kg	€ 232,- 5.0 kg A
CEZ 7.0	7.0	90°	1.5	€ 379,-	10.0 kg	€ 232,- 5.0 kg A
CEZ 7.5	7.5	90°	1.6	€ 379,-	10.0 kg	€ 232,- 5.0 kg A
CEZ 8.0	8.0	90°	1.6	€ 379,-	10.0 kg	€ 232,- 5.0 kg A
CEZ 9.0	9	90°	1.8	€ 421,-	13.5 kg	€ 257,- 6.5 kg B
CEZ 10.0	10	90°	1.8	€ 421,-	13.5 kg	€ 257,- 5.0 kg B
CEZ 11.0	11	90°	2	€ 421,-	13.5 kg	€ 257,- 5.0 kg B
CEZ 12.0	12	90°	2	€ 421,-	13.5 kg	€ 257,- 5.0 kg B
CEZ 13.0	13	90°	2	€ 421,-	13.5 kg	€ 257,- 5.0 kg B
CEZ 14.0	14	90°	2	€ 421,-	13.5 kg	€ 257,- 5.0 kg B
CEZ 15.0	15	90°	2.3	€ 421,-	13.5 kg	€ 257,- 5.0 kg B

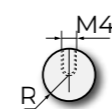
\* Fe Rmax = 420 N/mm<sup>2</sup>



C45: 560-710 N/mm<sup>2</sup> 400 kN/m max.

**C3 - C7.5**

R [mm]	835 mm		415 mm	
	C3	3.0	€ 59,- 0.20 kg	€ 36,- 0.10 kg
C3.5	3.5	€ 61,- 0.20 kg	€ 38,- 0.10 kg	
C4	4.0	€ 63,- 0.35 kg	€ 39,- 0.17 kg	
C4.5	4.5	€ 67,- 0.50 kg	€ 42,- 0.25 kg	
C5	5.0	€ 70,- 0.60 kg	€ 44,- 0.30 kg	
C5.5	5.5	€ 76,- 0.70 kg	€ 45,- 0.35 kg	
C6	6.0	€ 78,- 0.80 kg	€ 46,- 0.40 kg	
C6.5	6.5	€ 80,- 1.00 kg	€ 49,- 0.50 kg	
C7	7.0	€ 78,- 0.80 kg	€ 46,- 0.40 kg	
C7.5	7.5	€ 80,- 1.00 kg	€ 49,- 0.50 kg	

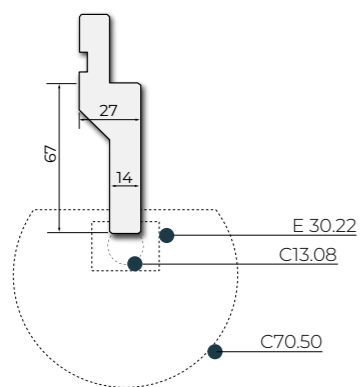


Soportes y útiles para curvar - (R1)

C45: 560-710 N/mm<sup>2</sup> 800 kN/m max.

**PU.67.14**

830 mm	€ 142,-	9.0 kg
410 mm	€ 81,-	5.0 kg

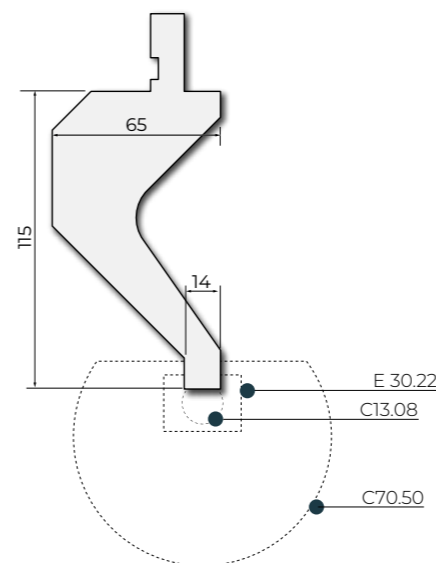


Soportes y útiles para curvar y doblar - (R1)

C45: 560-710 N/mm<sup>2</sup> 500 kN/m max.

**PU.115.14**

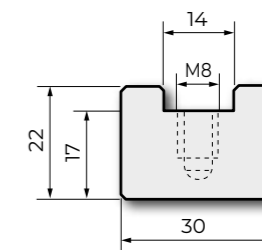
830 mm	€ 586,-	26.0 kg
412 mm	€ 328,-	13.0 kg



C45: 560-710 N/mm<sup>2</sup> 800 kN/m max.

**E30.22**

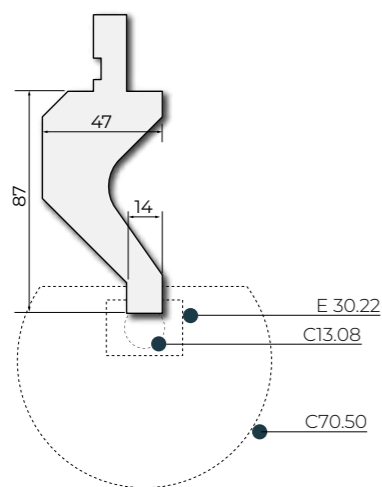
830 mm	€ 97,-	3.5 kg	► Útiles para plegado y aplanado
412 mm	€ 55,-	1.7 kg	



C45: 560-710 N/mm<sup>2</sup> 500 kN/m max.

**PU.87.14**

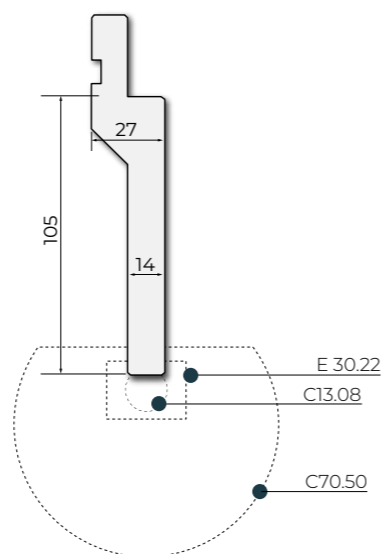
830 mm	€ 442,-	9.0 kg
412 mm	€ 251,-	4.5 kg



C45: 560-710 N/mm<sup>2</sup> 800 kN/m max.

**PU.105.14**

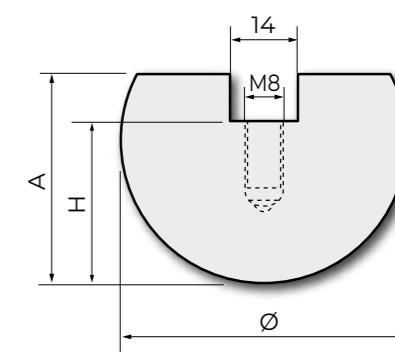
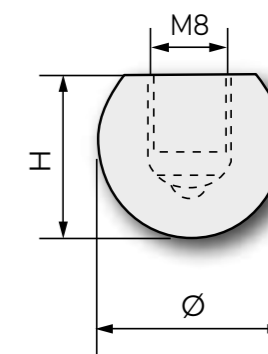
830 mm	€ 227,-	12.0 kg
412 mm	€ 124,-	6.0 kg



C45: 560-710 N/mm<sup>2</sup> 800 kN/m max.

**Útiles para curvar: ø 16 - 100**

	Ø [mm]	H [mm]	A [mm]					
835 mm	C13.08	16	13	-	€ 64,-	2.0 kg	€ 40,-	1.0 kg
	C13.09	18	16	-	€ 64,-	2.0 kg	€ 40,-	1.0 kg
	C16.10	20	16	-	€ 55,-	2.0 kg	€ 33,-	1.0 kg
	C17.12	25	17	22	€ 89,-	2.5 kg	€ 55,-	1.2 kg
	C20.15	30	20	27	€ 79,-	3.7 kg	€ 47,-	1.8 kg
	C22.17	35	22	32	€ 113,-	5.0 kg	€ 64,-	2.4 kg
	C24.20	40	24	34	€ 96,-	7.0 kg	€ 59,-	3.5 kg
	C25.22	45	25	35	€ 100,-	7.5 kg	€ 59,-	3.8 kg
	C29.25	50	29	39	€ 104,-	10.0 kg	€ 60,-	4.7 kg
	C34.27	55	34	44	€ 113,-	12.4 kg	€ 64,-	6.2 kg
415 mm	C34.30	60	34	44	€ 126,-	13.5 kg	€ 78,-	6.7 kg
	C37.32	65	37	47	€ 189,-	15.9 kg	€ 100,-	7.9 kg
	C45.35	70	45	55	€ 254,-	20.3 kg	€ 139,-	10.0 kg
	C42.37	75	42	52	€ 273,-	20.5 kg	€ 151,-	10.3 kg
	C45.40	80	45	55	€ 291,-	23.0 kg	€ 156,-	11.5 kg
	C60.45	90	60	70	€ 352,-	34.0 kg	€ 190,-	17.0 kg
	C70.50	100	70	80	€ 371,-	43.5 kg	€ 211,-	21.7 kg





## MATRICES ROLLERI TIPO R1

### ▼ COMPATIBILIDAD

Accurl  
Accurpress  
ACL  
Adira  
Amada  
Atlantic  
Baykal  
BL  
Boschert  
Boutillon  
Bystronic Beyeler  
Euro-B  
Coastone  
Colgar  
Dener  
Deratech

Durmazlar  
Ermaksan  
Farina  
Gade  
Gasparini  
Gecko  
Gilardi  
Gizelis  
Haco  
Hindustan  
HPM  
Iturrospe  
Jfy  
JMT  
LFK  
Metfab

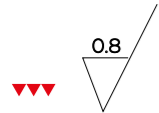
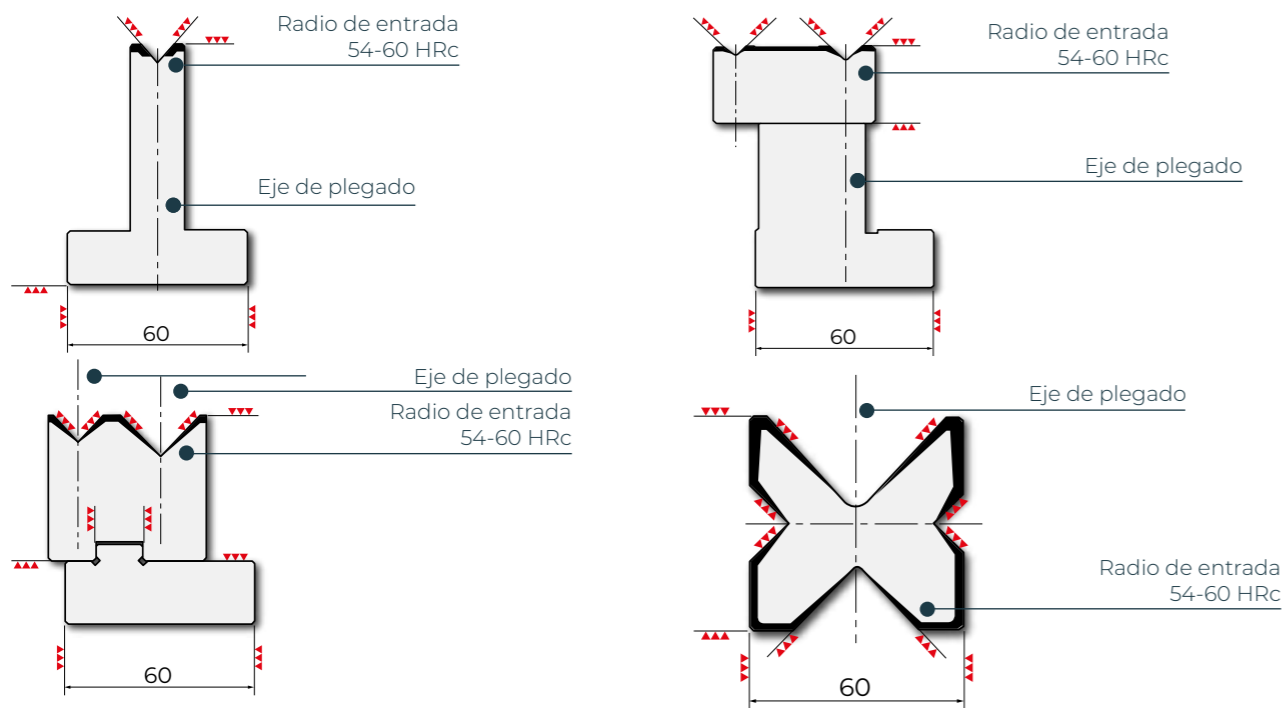
MVD  
Orianca  
Prima Power  
Promecam  
Rico  
Salvagnini  
Schiavi  
SMD  
Sorg  
Somo  
Vicla  
Vimercati  
Warcom  
Yawei  
ecc.

<b>Especificaciones</b>	50 - 51	<b>Matrices multi-V y soportes</b>	70 - 71
<b>R1 Serie CLASSIC</b>		Matrices multi-V	70 - 71
<b>Matrices con 2-V y soportes</b>	52 - 54	Soportes	71
90°	52	<b>R1 Serie A</b>	
88°	52	<b>Matrices con 2-V</b>	72 - 73
60°	53	90°	72
35°	53	88°	72 - 73
Soportes	54	<b>Matrices autocentrables con 2-V y soportes</b>	74 - 76
<b>Matrices autocentrables con 2-V y soportes</b>	55 - 56	90°	74
90°	55	88°	75 - 76
88°	55 - 56	Soportes	76
85°	56	<b>Matrices autocentrables con 1-V y soportes</b>	77 - 78
30°	56	90°, H=30 mm	77
Soportes y retenedores	56	88°, H=30 mm	77
<b>Matrices autocentrables con 1-V y soportes</b>	57 - 58	90°, H=60 mm	78
88°	57	88°, H=60 mm	78
85°	57	Soportes	78
30°	58	<b>Matrices con 1-V</b>	79 - 80
Soportes	58	85°	79
<b>Matrices en T</b>	59 - 67	45°	79
90°	59	30°	79 - 80
88°	60	<b>Matrices para plegado y aplanado</b>	81
85°	61	<b>Matrices con muelles</b>	82 - 83
80°	62	<b>Matrices neumáticas</b>	84 - 85
60°	63		
45°	64		
35°	65		
30°	66		
26°	67		
<b>Matrices con 1-V</b>	68 - 69		
85°	68		
80°	68 - 69		
70°	69		
60°	69		
45°	69		



**ATAQUE**

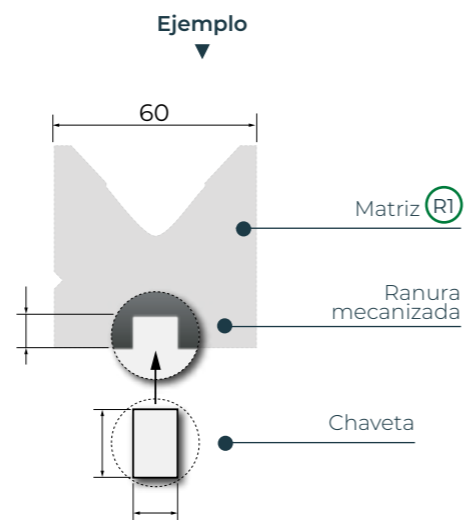
Todas las matrices Roller tipo (R1) tienen el ataque estándar de 60-90-120 mm.



**MODIFICACIÓN CHAVETA**

Para utilizar la matriz (R1) en otras marcas de plegadoras, se realiza una ranura de 10 mm y se coloca una chaveta para facilitar el encaje (medidas según especificaciones).

Chaveta (B x H)	Sistema
13 x 30 mm	(R2) (R3) Bystronic-Beyeler, Safan, Trumpf, etc.
55 x 55 mm	(RX) EHT
12.7 x 29 mm	(R4)
35 x 55 mm	(RX) Weinbrenner

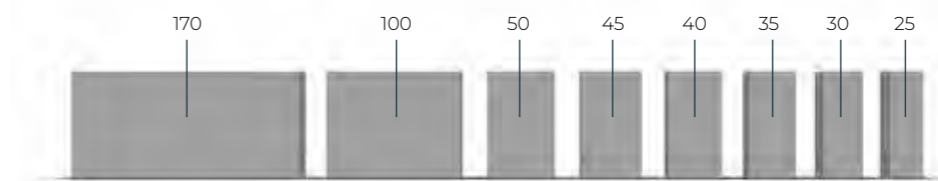


**LONGITUD ESTÁNDAR**

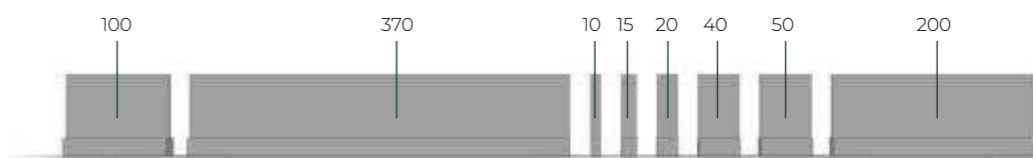


**MÓDULOS FRACCIONADOS**

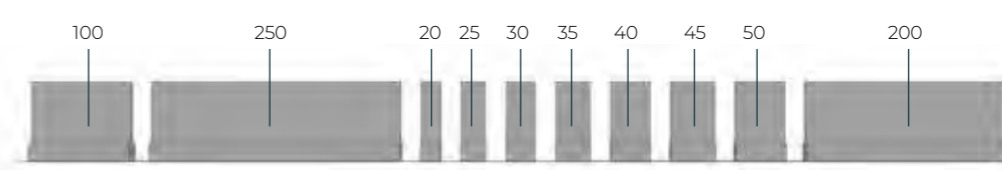
**TOP**  
FC: 495 mm - 8 segmentos



**CLASSIC · A**  
F: 805 mm - 8 segmentos



FX: 795 mm - 10 segmentos



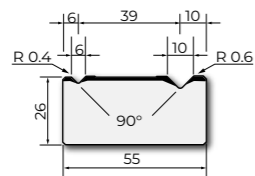




C45: 560-710 N/mm<sup>2</sup> 1000 kN/m max.

**M26.90.01**

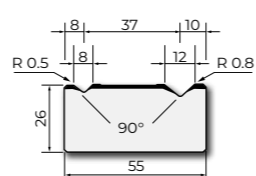
835 mm	€ 123,-	9.0 kg
415 mm	€ 71,-	4.5 kg
900 mm	€ 225,-	10.0 kg



C45: 560-710 N/mm<sup>2</sup> 1000 kN/m max.

**M26.90.02**

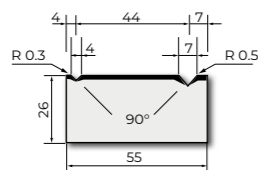
835 mm	€ 123,-	9.0 kg
415 mm	€ 71,-	4.5 kg
900 mm	€ 225,-	10.0 kg



C45: 560-710 N/mm<sup>2</sup> 1000 kN/m max.

**M26.90.03**

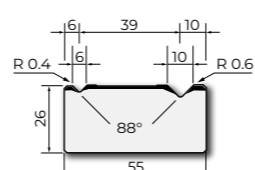
835 mm	€ 123,-	9.0 kg
415 mm	€ 71,-	4.5 kg



C45: 560-710 N/mm<sup>2</sup> 1000 kN/m max.

**M26.88.01**

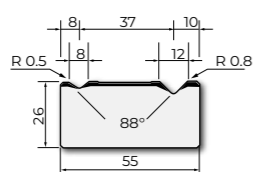
835 mm	€ 123,-	9.0 kg
415 mm	€ 71,-	4.5 kg



C45: 560-710 N/mm<sup>2</sup> 1000 kN/m max.

**M26.88.02**

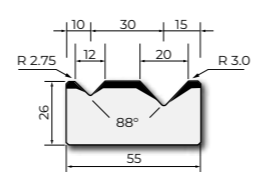
835 mm	€ 123,-	9.0 kg
415 mm	€ 71,-	4.5 kg



C45: 560-710 N/mm<sup>2</sup> 1000 kN/m max.

**M26.88.03**

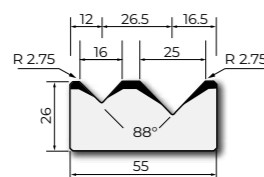
835 mm	€ 123,-	9.0 kg
415 mm	€ 71,-	4.5 kg



C45: 560-710 N/mm<sup>2</sup> 1000 kN/m max.

**M26.88.04**

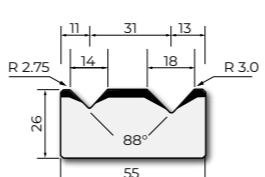
835 mm	€ 123,-	8.0 kg
415 mm	€ 71,-	4.0 kg



C45: 560-710 N/mm<sup>2</sup> 1000 kN/m max.

**M26.88.05**

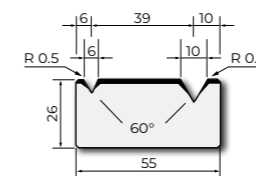
835 mm	€ 123,-	8.0 kg
415 mm	€ 71,-	4.0 kg



C45: 560-710 N/mm<sup>2</sup> 600 kN/m max.

**M26.60.01**

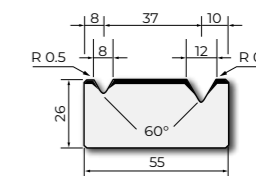
835 mm	€ 169,-	9.0 kg
415 mm	€ 99,-	4.5 kg
900 mm	€ 261,-	10.0 kg



C45: 560-710 N/mm<sup>2</sup> 800 kN/m max.

**M26.60.02**

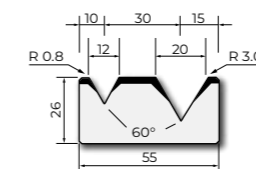
835 mm	€ 169,-	9.0 kg
415 mm	€ 99,-	4.5 kg



C45: 560-710 N/mm<sup>2</sup> 800 kN/m max.

**M26.60.03**

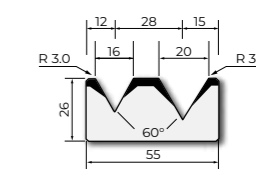
835 mm	€ 169,-	8.0 kg
415 mm	€ 99,-	4.0 kg



C45: 560-710 N/mm<sup>2</sup> 800 kN/m max.

**M26.60.05**

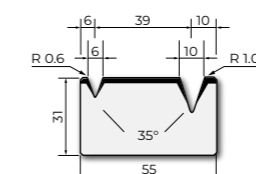
835 mm	€ 169,-	8.0 kg
415 mm	€ 99,-	4.0 kg



C45: 560-710 N/mm<sup>2</sup> 300 kN/m max.

**M31.35.01**

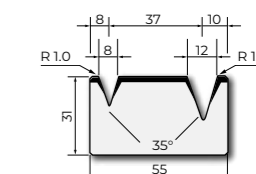
835 mm	€ 237,-	11.0 kg
415 mm	€ 137,-	5.5 kg



C45: 560-710 N/mm<sup>2</sup> 300 kN/m max.

**M31.35.02**

835 mm	€ 237,-	10.0 kg
415 mm	€ 137,-	5.0 kg

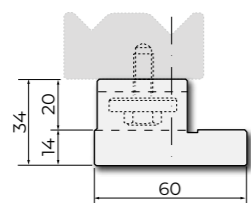


Matrices con 2-V y soportes - **R1 Serie CLASSIC**

C45: 560-710 N/mm<sup>2</sup>

**SU034**

835 mm	€ 131,-	9.0 kg
415 mm	€ 80,-	4.5 kg

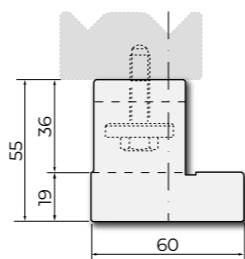


Soportes ✓

C45: 560-710 N/mm<sup>2</sup>

**SU055**

835 mm	€ 143,-	14.5 kg
415 mm	€ 86,-	7.2 kg

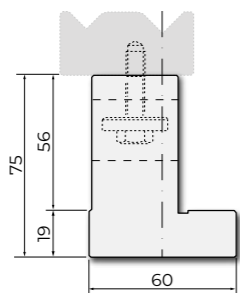


Soportes ✓

C45: 560-710 N/mm<sup>2</sup>

**SU075**

830 mm	€ 207,-	20.5 kg
410 mm	€ 121,-	10.0 kg



Soportes ✓



Matrices autocentrables con 2-V y soportes - **R1 Serie CLASSIC**



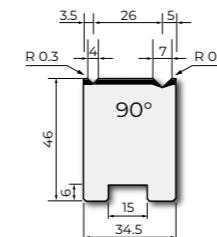
R1

C45: 560-710 N/mm<sup>2</sup>

800 kN/m max.

**46-10**

835 mm	€ 210,-	9.7 kg	
415 mm	€ 117,-	4.8 kg	
795 mm	€ 354,-	9.7 kg	FX
805 mm	€ 354,-	9.7 kg	F



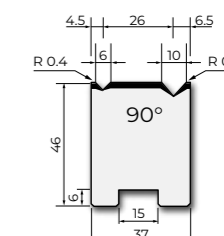
90° ✓

C45: 560-710 N/mm<sup>2</sup>

800 kN/m max.

**46-11**

835 mm	€ 210,-	10.3 kg	
415 mm	€ 117,-	5.1 kg	
795 mm	€ 354,-	9.9 kg	FX
805 mm	€ 354,-	9.9 kg	F



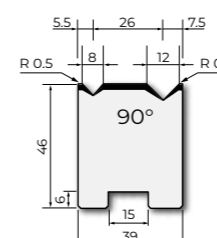
90° ✓

C45: 560-710 N/mm<sup>2</sup>

800 kN/m max.

**46-12**

835 mm	€ 210,-	10.0 kg	
415 mm	€ 117,-	5.0 kg	
795 mm	€ 354,-	9.5 kg	FX
805 mm	€ 354,-	10.0 kg	F



90° ✓

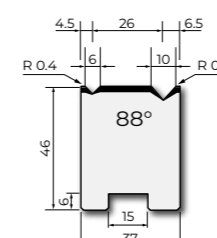


C45: 560-710 N/mm<sup>2</sup>

800 kN/m max.

**46.11.88**

835 mm	€ 210,-	10.3 kg	
415 mm	€ 117,-	5.2 kg	
795 mm	€ 354,-	9.8 kg	FX
805 mm	€ 354,-	10.3 kg	F



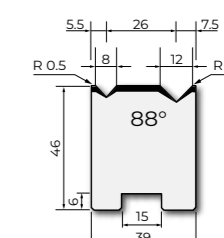
88° ✓

C45: 560-710 N/mm<sup>2</sup>

800 kN/m max.

**46.13**

835 mm	€ 210,-	10.9 kg	
415 mm	€ 117,-	5.4 kg	
795 mm	€ 354,-	9.6 kg	FX
805 mm	€ 354,-	9.6 kg	F



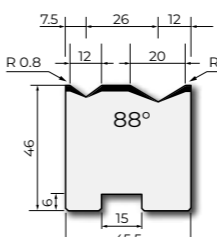
88° ✓

C45: 560-710 N/mm<sup>2</sup>

800 kN/m max.

**46.14**

835 mm	€ 210,-	12.0 kg	
415 mm	€ 117,-	6.0 kg	
795 mm	€ 354,-	11.4 kg	FX
805 mm	€ 354,-	11.5 kg	F



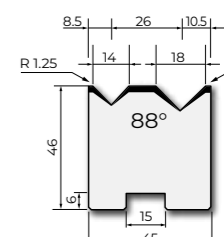
88° ✓

C45: 560-710 N/mm<sup>2</sup>

800 kN/m max.

**46.15**

835 mm	€ 210,-	12.6 kg	
415 mm	€ 117,-	6.0 kg	
795 mm	€ 354,-	12.0 kg	FX
805 mm	€ 354,-	12.1 kg	F



88° ✓

Matrices autocentrables con 2-V y soportes - **R1 Serie CLASSIC**

C45: 560-710 N/mm<sup>2</sup> 800 kN/m max.

**46.16**

835 mm	€ 210,-	13.0 kg
415 mm	€ 117,-	6.5 kg
795 mm	€ 354,-	12.4 kg <b>FX</b>
805 mm	€ 354,-	12.5 kg <b>F</b>

88°

42Cr: 900-1150 N/mm<sup>2</sup> 1000 kN/m max.

**M26.85.02**

835 mm	€ 419,-	9.0 kg
415 mm	€ 232,-	4.5 kg
795 mm	€ 708,-	8.6 kg <b>FX</b>
805 mm	€ 708,-	8.7 kg <b>F</b>

PM50 + Soporte requerido

85°

C45: 560-710 N/mm<sup>2</sup> 400 kN/m max.

**46.17**

835 mm	€ 269,-	12.2 kg
415 mm	€ 150,-	6.0 kg
795 mm	€ 418,-	12.2 kg <b>FX</b>
805 mm	€ 418,-	12.2 kg <b>F</b>

30°

C45: 560-710 N/mm<sup>2</sup> 400 kN/m max.

**46.18**

835 mm	€ 269,-	13.2 kg
415 mm	€ 150,-	6.6 kg
795 mm	€ 418,-	13.0 kg <b>FX</b>
805 mm	€ 418,-	13.0 kg <b>F</b>

30°

C45: 560-710 N/mm<sup>2</sup> 1000 kN/m max.

**PM60**

835 mm	€ 187,-	7.5 kg
415 mm	€ 107,-	3.7 kg

Soportes

C45: 560-710 N/mm<sup>2</sup> 1000 kN/m max.

**PM50**

835 mm	€ 135,-	4.0 kg
415 mm	€ 75,-	3.7 kg

Soportes

C45: 560-710 N/mm<sup>2</sup> 1000 kN/m max.

**PM50.20**

835 mm	€ 135,-	5.4 kg
415 mm	€ 75,-	2.6 kg

Soportes

Fe37

**PB60**

€ 45,-	0.2 kg
--------	--------

Bloqueo

Matrices autocentrables con 1-V y soportes - **R1 Serie CLASSIC**



R1

C45: 560-710 N/mm<sup>2</sup> 1000 kN/m max.

**H=60 mm**

V [mm]	R [mm]	S [mm]	835 mm		415 mm		795 mm		805 mm	
			FX	F	FX	F	FX	F		
4	0.6	14	€ 212,-	5.4 kg	€ 113,-	2.7 kg	€ 348,-	5.1 kg	€ 348,-	5.2 kg
6	0.8	14	€ 212,-	5.4 kg	€ 113,-	2.7 kg	€ 348,-	5.2 kg	€ 348,-	5.2 kg
8	1.0	14	€ 198,-	5.4 kg	€ 107,-	2.7 kg	€ 344,-	5.2 kg	€ 344,-	5.2 kg
10	1.2	18	€ 198,-	5.6 kg	€ 107,-	2.8 kg	€ 344,-	5.4 kg	€ 344,-	5.4 kg
12	1.5	18	€ 198,-	6.1 kg	€ 107,-	3.0 kg	€ 344,-	5.8 kg	€ 344,-	5.9 kg
16	2.0	24	€ 223,-	7.1 kg	€ 113,-	3.5 kg	€ 382,-	6.8 kg	€ 382,-	6.9 kg
20	2.0	30	€ 229,-	8.0 kg	€ 117,-	4.0 kg	€ 392,-	7.8 kg	€ 392,-	7.8 kg
25	3.0	35	€ 229,-	9.1 kg	€ 117,-	4.6 kg	€ 392,-	8.9 kg	€ 392,-	8.9 kg

88°

C45: 560-710 N/mm<sup>2</sup> 1000 kN/m max.

**H=60 mm**

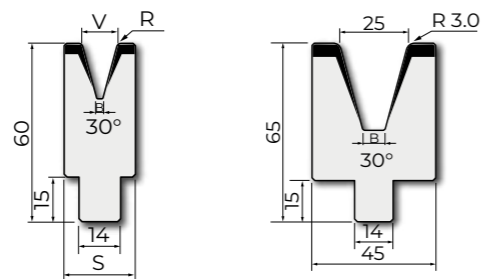
V [mm]	R [mm]	S [mm]	835 mm		415 mm		795 mm		805 mm	
			FX	F	FX	F	FX	F		
4	0.6	14	€ 212,-	5.4 kg	€ 113,-	2.7 kg	€ 348,-	5.2 kg	€ 348,-	5.2 kg
6	0.8	14	€ 212,-	5.4 kg	€ 113,-	2.7 kg	€ 348,-	5.1 kg	€ 348,-	5.2 kg
8	1.0	14	€ 198,-	5.4 kg	€ 107,-	2.7 kg	€ 344,-	5.1 kg	€ 344,-	5.2 kg
10	1.2	18	€ 198,-	5.6 kg	€ 107,-	2.8 kg	€ 344,-	5.3 kg	€ 344,-	5.4 kg
12	1.5	18	€ 198,-	6.1 kg	€ 107,-	3.0 kg	€ 344,-	5.8 kg	€ 344,-	5.9 kg
16	2.0	24	€ 223,-	7.1 kg	€ 113,-	3.5 kg	€ 382,-	6.8 kg	€ 382,-	6.9 kg
20	2.0	30	€ 229,-	8.0 kg	€ 117,-	4.0 kg	€ 392,-	7.6 kg	€ 392,-	7.7 kg
25	3.0	35	€ 229,-	9.2 kg	€ 117,-	4.6 kg	€ 392,-	8.8 kg	€ 392,-	8.9 kg

85°

Matrices autocentrables con I-V y soportes - **R1 Serie CLASSIC**

C45: 560-710 N/mm<sup>2</sup> 1000 kN/m max.

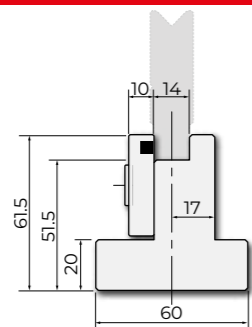
H=60-65 mm					835 mm		415 mm		795 mm		805 mm	
V [mm]	R [mm]	B [mm]	S [mm]		FX	F						
AMR60.06.30	6	0.6	-	14	€ 239,-	5.9 kg	€ 134,-	2.9 kg	€ 392,-	5.6 kg	€ 392,-	5.7 kg
AMR60.08.30	8	0.8	2	18	€ 239,-	6.6 kg	€ 134,-	3.3 kg	€ 392,-	6.3 kg	€ 392,-	6.4 kg
AMR60.10.30	10	1.0	2	24	€ 239,-	7.8 kg	€ 134,-	3.9 kg	€ 392,-	7.4 kg	€ 392,-	7.5 kg
AMR60.12.30	12	1.5	2	24	€ 239,-	7.9 kg	€ 134,-	3.9 kg	€ 392,-	7.5 kg	€ 392,-	7.6 kg
AMR60.16.30	16	2.0	5	30	€ 267,-	8.8 kg	€ 137,-	4.7 kg	€ 433,-	8.4 kg	€ 433,-	9.2 kg
AMR60.20.30	20	2.5	5	35	€ 267,-	15.9 kg	€ 137,-	7.9 kg	€ 433,-	15.3 kg	€ 433,-	15.3 kg
AMR65.25.30	25	3.0	8	45	€ 267,-	13.0 kg	€ 137,-	6.3 kg	€ 433,-	12.4 kg	€ 433,-	12.2 kg



30°

C45: 560-710 N/mm<sup>2</sup> 1000 kN/m max.

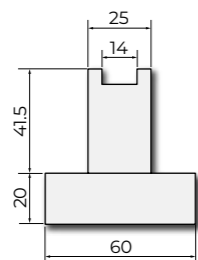
SU61F		
835 mm	€ 419,-	16.0 kg
415 mm	€ 248,-	7.3 kg



Soportes

C45: 560-710 N/mm<sup>2</sup> 950 kN/m max.

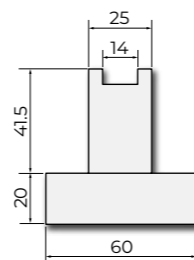
O8000		
1050 mm	€ 497,-	14.0 kg



Soportes

C45: 560-710 N/mm<sup>2</sup> 950 kN/m max.

O8100		
1260 mm	€ 587,-	14.0 kg



Soportes

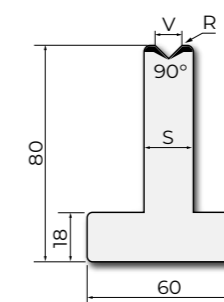
Matrices en T - **R1 Serie CLASSIC**



R1

C45: 560-710 N/mm<sup>2</sup> 1000 kN/m max.

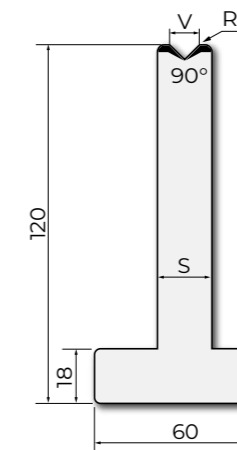
H=80 mm					835 mm		415 mm		795 mm		805 mm	
V [mm]	R [mm]	S [mm]			FX	F						
T80.06.90	6	0.4	14		€ 237,-	13.0 kg	€ 137,-	6.5 kg	€ 369,-	13.0 kg	€ 369,-	13.0 kg
T80.08.90	8	0.5	14		€ 237,-	13.0 kg	€ 137,-	6.5 kg	€ 369,-	13.0 kg	€ 369,-	13.0 kg
T80.10.90	10	0.6	18		€ 237,-	14.2 kg	€ 137,-	7.0 kg	€ 369,-	13.5 kg	€ 369,-	13.7 kg
T80.12.90	12	0.8	18		€ 237,-	15.0 kg	€ 137,-	7.5 kg	€ 369,-	15.0 kg	€ 369,-	15.0 kg



90°

C45: 560-710 N/mm<sup>2</sup> 1000 kN/m max.

H=120 mm					835 mm		415 mm		795 mm		805 mm	
V [mm]	R [mm]	S [mm]			FX	F						
T120.06.90	6	0.4	14		€ 383,-	16.0 kg	€ 221,-	8.0 kg	€ 551,-	15.2 kg	€ 551,-	15.4 kg
T120.08.90	8	0.5	14		€ 383,-	16.0 kg	€ 221,-	8.0 kg	€ 551,-	16.0 kg	€ 551,-	16.0 kg
T120.10.90	10	0.6	18		€ 383,-	19.0 kg	€ 221,-	9.0 kg	€ 551,-	18.1 kg	€ 551,-	18.3 kg
T120.12.90	12	0.8	18		€ 383,-	18.0 kg	€ 221,-	9.0 kg	€ 551,-	18.1 kg	€ 551,-	18.3 kg



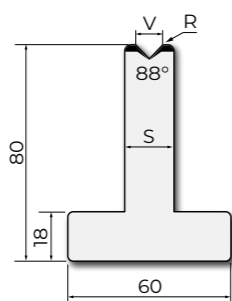
90°





C45: 560-710 N/mm<sup>2</sup> 1000 kN/m max.

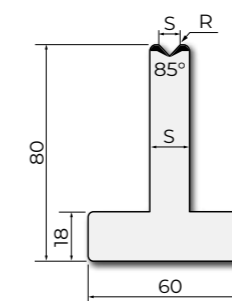
H=80 mm				835 mm		415 mm		795 mm		805 mm	
V [mm]	R [mm]	S [mm]		FX	F						
T80.06.88	6	0.4	14	€ 237,-	13.0 kg	€ 137,-	6.5 kg	€ 369,-	12.4 kg	€ 369,-	12.5 kg
TR80.06.88	6	2.75	14	€ 349,-	13.0 kg	€ 234,-	6.5 kg	€ 496,-	12.4 kg	€ 496,-	12.5 kg
T80.08.88	8	0.5	14	€ 237,-	12.6 kg	€ 137,-	6.3 kg	€ 369,-	12.0 kg	€ 369,-	12.1 kg
TR80.08.88	8	2.75	14	€ 349,-	13.0 kg	€ 234,-	6.5 kg	€ 496,-	13.0 kg	€ 496,-	13.0 kg
T80.10.88	10	0.8	18	€ 237,-	14.2 kg	€ 137,-	7.0 kg	€ 369,-	13.7 kg	€ 369,-	13.7 kg
TR80.10.88	10	2.75	18	€ 349,-	15.0 kg	€ 234,-	7.5 kg	€ 496,-	15.0 kg	€ 496,-	15.0 kg
T80.12.88	12	2.75	18	€ 237,-	14.0 kg	€ 137,-	7.0 kg	€ 369,-	13.3 kg	€ 369,-	13.5 kg
T80.16.88	16	2.75	24	€ 237,-	16.6 kg	€ 137,-	8.3 kg	€ 369,-	16.0 kg	€ 369,-	16.0 kg
T80.20.88	20	3.0	30	€ 237,-	18.5 kg	€ 137,-	9.2 kg	€ 369,-	17.8 kg	€ 369,-	17.8 kg
T80.25.88	25	3.0	35	€ 237,-	20.2 kg	€ 137,-	10.0 kg	€ 369,-	19.5 kg	€ 369,-	19.5 kg



88° ✓

C45: 560-710 N/mm<sup>2</sup> 1000 kN/m max.

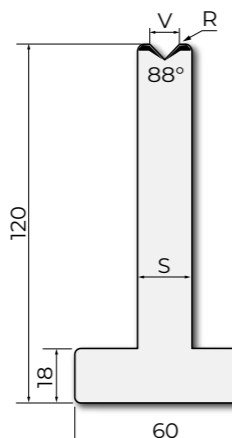
H=80 mm				835 mm		415 mm		795 mm		805 mm	
V [mm]	R [mm]	S [mm]		FX	F						
T80.06.85	6	2.75	14	€ 237,-	13.0 kg	€ 137,-	6.5 kg	€ 369,-	13.0 kg	€ 369,-	13.0 kg
T80.08.85	8	2.75	14	€ 237,-	12.6 kg	€ 137,-	6.2 kg	€ 369,-	12.0 kg	€ 369,-	12.0 kg
T80.10.85	10	2.75	18	€ 237,-	14.2 kg	€ 137,-	7.0 kg	€ 369,-	13.7 kg	€ 369,-	14.0 kg
T80.12.85	12	2.75	18	€ 237,-	14.1 kg	€ 137,-	7.0 kg	€ 369,-	14.0 kg	€ 369,-	14.0 kg
T80.16.85	16	2.75	24	€ 237,-	16.4 kg	€ 137,-	8.2 kg	€ 369,-	15.8 kg	€ 369,-	15.8 kg
T80.20.85	20	3.0	30	€ 237,-	19.0 kg	€ 137,-	9.5 kg	€ 369,-	18.0 kg	€ 369,-	18.0 kg
T80.25.85	25	3.0	35	€ 237,-	20.0 kg	€ 137,-	10.0 kg	€ 369,-	19.0 kg	€ 369,-	20.0 kg



85° ✓

C45: 560-710 N/mm<sup>2</sup> 1000 kN/m max.

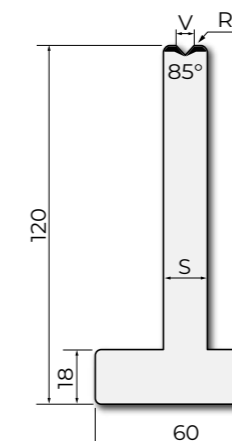
H=120 mm				835 mm		415 mm		795 mm		805 mm	
V [mm]	R [mm]	S [mm]		FX	F						
T120.06.88	6	0.4	14	€ 393,-	16.5 kg	€ 219,-	8.0 kg	€ 551,-	16.0 kg	€ 551,-	16.0 kg
TR120.06.88	6	2.75	14	€ 495,-	16.0 kg	€ 319,-	8.0 kg	€ 678,-	15.2 kg	€ 678,-	16.0 kg
T120.08.88	8	0.5	14	€ 383,-	16.0 kg	€ 221,-	8.0 kg	€ 551,-	16.0 kg	€ 551,-	16.0 kg
TR120.08.88	8	2.75	14	€ 495,-	16.0 kg	€ 319,-	8.0 kg	€ 678,-	15.2 kg	€ 678,-	16.0 kg
T120.10.88	10	0.8	18	€ 383,-	19.0 kg	€ 221,-	9.5 kg	€ 551,-	19.0 kg	€ 551,-	19.0 kg
TR120.10.88	10	2.75	18	€ 495,-	18.0 kg	€ 319,-	9.0 kg	€ 678,-	18.0 kg	€ 678,-	18.0 kg
T120.12.88	12	2.75	18	€ 383,-	19.0 kg	€ 221,-	9.0 kg	€ 551,-	18.0 kg	€ 551,-	18.0 kg
T120.16.88	16	2.75	24	€ 383,-	22.0 kg	€ 221,-	11.0 kg	€ 551,-	22.0 kg	€ 551,-	22.0 kg
T120.20.88	20	3.0	30	€ 383,-	27.0 kg	€ 221,-	13.5 kg	€ 551,-	25.7 kg	€ 551,-	26.0 kg
T120.25.88	25	3.0	35	€ 383,-	30.0 kg	€ 221,-	15.0 kg	€ 551,-	30.0 kg	€ 551,-	30.0 kg



88° ✓

C45: 560-710 N/mm<sup>2</sup> 1000 kN/m max.

H=120 mm				835 mm		415 mm		795 mm		805 mm	
V [mm]	R [mm]	S [mm]		FX	F						
T120.06.85	6	2.75	14	€ 383,-	16.3 kg	€ 219,-	8.1 kg	€ 551,-	15.7 kg	€ 551,-	15.7 kg
T120.08.85	8	2.75	14	€ 383,-	16.3 kg	€ 221,-	8.1 kg	€ 551,-	15.7 kg	€ 551,-	15.7 kg
T120.10.85	10	2.75	18	€ 383,-	19.0 kg	€ 221,-	9.5 kg	€ 551,-	19.0 kg	€ 551,-	19.0 kg
T120.12.85	12	2.75	18	€ 383,-	18.9 kg	€ 221,-	9.4 kg	€ 551,-	18.2 kg	€ 551,-	18.2 kg
T120.16.85	16	2.75	24	€ 383,-	22.7 kg	€ 221,-	11.3 kg	€ 551,-	21.9 kg	€ 551,-	21.9 kg
T120.20.85	20	3.0	30	€ 383,-	26.4 kg	€ 221,-	13.0 kg	€ 551,-	25.5 kg	€ 551,-	25.5 kg
T120.25.85	25	3.0	35	€ 383,-	30.0 kg	€ 221,-	15.0 kg	€ 551,-	30.0 kg	€ 551,-	30.0 kg

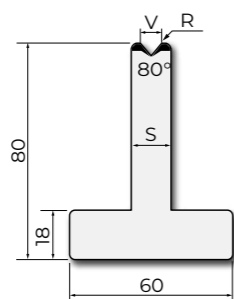


85° ✓



C45: 560-710 N/mm<sup>2</sup> 950 kN/m max.

H=80 mm						FX		F			
	V [mm]	R [mm]	S [mm]								
T80.06.80	6	2.75	14	€ 326,-	13.0 kg	€ 186,-	6.5 kg	€ 459,-	13.0 kg	€ 459,-	13.0 kg
T80.08.80	8	2.75	14	€ 326,-	13.0 kg	€ 186,-	6.5 kg	€ 459,-	13.0 kg	€ 459,-	13.0 kg
T80.10.80	10	2.75	18	€ 326,-	13.0 kg	€ 186,-	6.5 kg	€ 459,-	13.0 kg	€ 459,-	13.0 kg
T80.12.80	12	2.75	18	€ 326,-	13.0 kg	€ 186,-	6.5 kg	€ 459,-	13.0 kg	€ 459,-	13.0 kg
T80.16.80	16	2.75	24	€ 326,-	13.0 kg	€ 186,-	6.5 kg	€ 459,-	12.4 kg	€ 459,-	12.5 kg
T80.20.80	20	3.0	30	€ 326,-	17.0 kg	€ 186,-	6.5 kg	€ 459,-	20.0 kg	€ 459,-	20.0 kg
T80.25.80	25	3.0	35	€ 326,-	20.0 kg	€ 204,-	10.0 kg	€ 459,-	20.0 kg	€ 459,-	20.0 kg

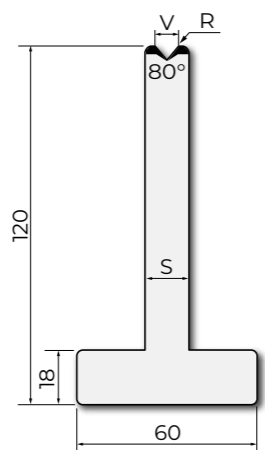


80°



C45: 560-710 N/mm<sup>2</sup> 950 kN/m max.

H=120 mm						FX		F			
	V [mm]	R [mm]	S [mm]								
T120.06.80	6	2.75	14	€ 480,-	18.0 kg	€ 274,-	9.0 kg	€ 652,-	17.1 kg	€ 652,-	17.4 kg
T120.08.80	8	2.75	14	€ 480,-	18.0 kg	€ 274,-	18.0 kg	€ 652,-	18.0 kg	€ 652,-	18.0 kg
T120.10.80	10	2.75	18	€ 480,-	18.0 kg	€ 274,-	9.0 kg	€ 652,-	17.1 kg	€ 652,-	17.4 kg
T120.12.80	12	2.75	18	€ 480,-	18.0 kg	€ 274,-	9.0 kg	€ 652,-	17.1 kg	€ 652,-	17.4 kg
T120.16.80	16	2.75	24	€ 480,-	18.0 kg	€ 274,-	18.0 kg	€ 652,-	18.0 kg	€ 652,-	18.0 kg
T120.20.80	20	3.0	30	€ 480,-	26.3 kg	€ 274,-	13.0 kg	€ 652,-	25.0 kg	€ 652,-	25.4 kg
T120.25.80	25	3.0	35	€ 480,-	30.0 kg	€ 274,-	18.0 kg	€ 652,-	18.0 kg	€ 652,-	18.0 kg

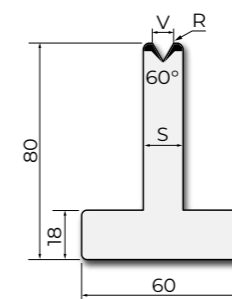


80°



C45: 560-710 N/mm<sup>2</sup> 600 kN/m max.

H=80 mm						FX		F			
	V [mm]	R [mm]	S [mm]								
T80.06.60	6	0.5	14	€ 257,-	13.0 kg	€ 148,-	6.5 kg	€ 389,-	12.4 kg	€ 389,-	12.5 kg
TR80.06.60	6	1.5	14	€ 372,-	13.0 kg	€ 247,-	6.5 kg	€ 520,-	12.4 kg	€ 520,-	12.5 kg
T80.08.60	8	0.8	14	€ 257,-	13.0 kg	€ 148,-	6.5 kg	€ 389,-	13.0 kg	€ 389,-	13.0 kg
TR80.08.60	8	1.5	14	€ 372,-	13.0 kg	€ 247,-	6.5 kg	€ 520,-	13.0 kg	€ 520,-	13.0 kg
T80.10.60	10	0.8	18	€ 257,-	14.5 kg	€ 148,-	7.0 kg	€ 389,-	13.5 kg	€ 389,-	13.5 kg
TR80.10.60	10	2.75	18	€ 372,-	15.0 kg	€ 247,-	7.5 kg	€ 520,-	15.0 kg	€ 520,-	15.0 kg
T80.12.60	12	0.8	18	€ 257,-	14.0 kg	€ 148,-	7.0 kg	€ 389,-	13.5 kg	€ 389,-	13.5 kg
TR80.12.60	12	2.75	18	€ 372,-	15.0 kg	€ 247,-	7.5 kg	€ 520,-	15.0 kg	€ 520,-	15.0 kg
T80.16.60	16	2.75	24	€ 271,-	15.6 kg	€ 155,-	8.7 kg	€ 408,-	16.0 kg	€ 408,-	16.0 kg
T80.20.60	20	3.0	30	€ 271,-	18.0 kg	€ 155,-	9.5 kg	€ 393,-	19.0 kg	€ 393,-	19.0 kg
T80.25.60	25	3.0	35	€ 271,-	19.5 kg	€ 155,-	10.0 kg	€ 393,-	18.8 kg	€ 393,-	18.8 kg

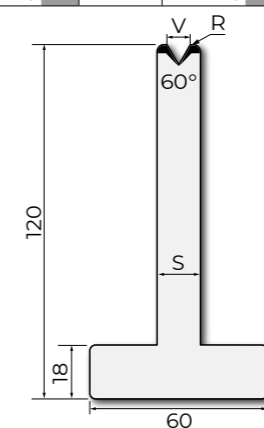


60°



C45: 560-710 N/mm<sup>2</sup> 600 kN/m max.

H=120 mm						FX		F			
	V [mm]	R [mm]	S [mm]								
T120.06.60	6	0.5	14	€ 396,-	16.0 kg	€ 239,-	8.0 kg	€ 555,-	16.0 kg	€ 555,-	15.4 kg
TR120.06.60	6	1.5	14	€ 510,-	16.0 kg	€ 341,-	8.0 kg	€ 684,-	15.2 kg	€ 684,-	15.4 kg
T120.08.60	8	0.8	14	€ 396,-	16.0 kg	€ 239,-	8.0 kg	€ 555,-	16.0 kg	€ 555,-	16.0 kg
TR120.08.60	8	1.5	14	€ 510,-	16.0 kg	€ 341,-	8.0 kg	€ 684,-	16.0 kg	€ 684,-	16.0 kg
T120.10.60	10	0.8	18	€ 396,-	18.8 kg	€ 239,-	9.3 kg	€ 555,-	18.1 kg	€ 555,-	18.1 kg
TR120.10.60	10	2.75	18	€ 510,-	18.0 kg	€ 341,-	9.0 kg	€ 684,-	17.1 kg	€ 684,-	17.4 kg
T120.12.60	12	0.8	18	€ 396,-	18.0 kg	€ 239,-	9.0 kg	€ 555,-	18.3 kg	€ 555,-	18.3 kg
TR120.12.60	12	2.75	18	€ 510,-	18.0 kg	€ 341,-	9.0 kg	€ 684,-	17.1 kg	€ 684,-	17.4 kg
T120.16.60	16	2.75	24	€ 416,-	22.4 kg	€ 242,-	11.1 kg	€ 562,-	21.6 kg	€ 562,-	21.6 kg
T120.20.60	20	3.0	30	€ 416,-	26.0 kg	€ 242,-	13.0 kg	€ 562,-	24.8 kg	€ 562,-	25.0 kg
T120.25.60	25	3.0	35	€ 416,-	29.0 kg	€ 242,-	15.0 kg	€ 562,-	30.0 kg	€ 562,-	30.0 kg



60°

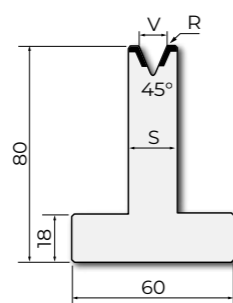




C45: 560-710 N/mm<sup>2</sup>

500 kN/m max.

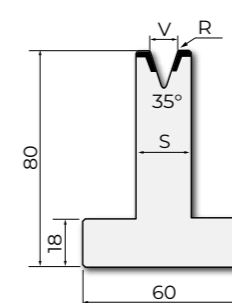
H=80 mm											
			FX				F				
V [mm]	R [mm]	S [mm]									
T80.06.45	6	0.8	14	€ 279,-	13.0 kg	€ 160,-	6.5 kg	€ 420,-	12.4 kg	€ 420,-	12.5 kg
T80.08.45	8	1.0	18	€ 279,-	15.0 kg	€ 160,-	7.5 kg	€ 420,-	15.0 kg	€ 420,-	15.0 kg
T80.10.45	10	1.2	18	€ 279,-	14.0 kg	€ 160,-	7.0 kg	€ 420,-	13.3 kg	€ 420,-	13.5 kg
T80.12.45	12	1.6	24	€ 279,-	16.3 kg	€ 160,-	8.1 kg	€ 420,-	15.7 kg	€ 420,-	15.7 kg
T80.16.45	16	2.75	26	€ 292,-	16.6 kg	€ 167,-	8.3 kg	€ 440,-	16.0 kg	€ 440,-	16.0 kg
T80.20.45	20	3.0	30	€ 292,-	18.0 kg	€ 167,-	9.0 kg	€ 423,-	18.0 kg	€ 423,-	18.0 kg
T80.25.45	25	3.0	37	€ 292,-	20.0 kg	€ 167,-	10.0 kg	€ 423,-	20.0 kg	€ 423,-	20.0 kg



C45: 560-710 N/mm<sup>2</sup>

Ver tabla

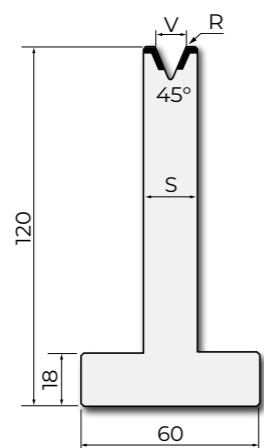
H=80 mm												
			FX				F					
V [mm]	R [mm]	S [mm]	kn/m max.									
T80.06.35	6	0.8	14	350	€ 284,-	12.5 kg	€ 162,-	6.5 kg	€ 427,-	12.0 kg	€ 427,-	12.0 kg
T80.08.35	8	1.0	16	350	€ 284,-	13.0 kg	€ 162,-	7.0 kg	€ 427,-	14.0 kg	€ 427,-	14.0 kg
T80.10.35	10	1.2	20	400	€ 284,-	15.0 kg	€ 162,-	7.5 kg	€ 427,-	15.0 kg	€ 427,-	15.0 kg
T80.12.35	12	1.6	22	400	€ 284,-	15.5 kg	€ 162,-	8.0 kg	€ 427,-	16.0 kg	€ 427,-	16.0 kg
T80.16.35	16	3.0	30	450	€ 298,-	18.0 kg	€ 169,-	8.5 kg	€ 449,-	17.0 kg	€ 449,-	17.0 kg
T80.20.35	20	3.0	35	500	€ 298,-	19.3 kg	€ 169,-	9.0 kg	€ 432,-	18.0 kg	€ 432,-	18.0 kg
T80.25.35	25	3.0	40	500	€ 298,-	20.0 kg	€ 169,-	9.9 kg	€ 432,-	19.3 kg	€ 432,-	19.3 kg



C45: 560-710 N/mm<sup>2</sup>

500 kN/m max.

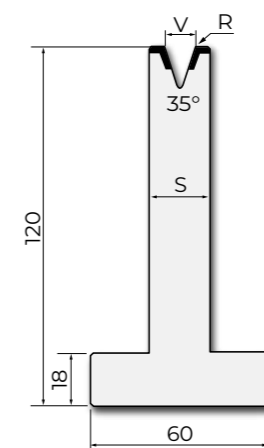
H=120 mm											
			FX				F				
V [mm]	R [mm]	S [mm]									
T120.06.45	6	0.8	14	€ 427,-	16.0 kg	€ 248,-	8.0 kg	€ 600,-	16.0 kg	€ 600,-	16.0 kg
T120.08.45	8	1.0	18	€ 427,-	18.0 kg	€ 248,-	9.0 kg	€ 600,-	18.0 kg	€ 600,-	18.0 kg
T120.10.45	10	1.2	18	€ 427,-	18.0 kg	€ 248,-	9.0 kg	€ 600,-	18.0 kg	€ 600,-	18.0 kg
T120.12.45	12	1.6	24	€ 427,-	23.0 kg	€ 248,-	9.0 kg	€ 600,-	18.0 kg	€ 600,-	18.0 kg
T120.16.45	16	2.75	26	€ 448,-	25.0 kg	€ 246,-	12.5 kg	€ 595,-	25.0 kg	€ 595,-	25.0 kg
T120.20.45	20	3.0	30	€ 448,-	26.0 kg	€ 246,-	13.5 kg	€ 595,-	24.8 kg	€ 595,-	25.0 kg
T120.25.45	25	3.0	37	€ 448,-	30.0 kg	€ 246,-	15.0 kg	€ 595,-	28.6 kg	€ 595,-	28.9 kg



C45: 560-710 N/mm<sup>2</sup>

Ver tabla

H=120 mm												
			FX				F					
V [mm]	R [mm]	S [mm]	kn/m max.									
T120.06.35	6	0.8	14	350	€ 436,-	16.0 kg	€ 254,-	8.0 kg	€ 611,-	16.0 kg	€ 611,-	16.0 kg
T120.08.35	8	1.0	16	350	€ 436,-	18.0 kg	€ 254,-	9.0 kg	€ 611,-	18.0 kg	€ 611,-	18.0 kg
T120.10.35	10	1.2	20	400	€ 436,-	19.9 kg	€ 254,-	8.5 kg	€ 611,-	19.0 kg	€ 611,-	19.0 kg
T120.12.35	12	1.6	22	400	€ 436,-	21.0 kg	€ 254,-	10.0 kg	€ 611,-	20.0 kg	€ 611,-	20.0 kg
T120.16.35	16	3.0	30	450	€ 457,-	25.8 kg	€ 266,-	12.8 kg	€ 605,-	24.8 kg	€ 605,-	24.8 kg
T120.20.35	20	3.0	35	500	€ 457,-	28.0 kg	€ 266,-	14.0 kg	€ 641,-	28.0 kg	€ 641,-	28.0 kg
T120.25.35	25	3.0	40	500	€ 457,-	30.5 kg	€ 266,-	15.2 kg	€ 641,-	29.0 kg	€ 641,-	29.4 kg

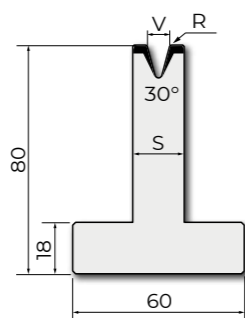




C45: 560-710 N/mm<sup>2</sup>

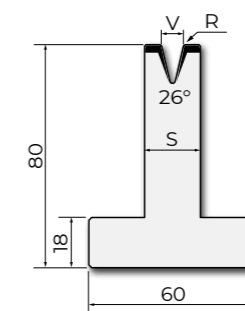
Ver tabla

H=80 mm										
	V [mm]	R [mm]	S [mm]	kN/m max.	835 mm		415 mm		795 mm	
					FX		T		T	
T80.06.30	6	0.6	14	350	€ 284,-	12.4 kg	€ 162,-	6.5 kg	€ 427,-	12.0 kg
T80.08.30	8	0.8	18	350	€ 284,-	13.0 kg	€ 162,-	7.0 kg	€ 427,-	14.0 kg
T80.10.30	10	1.0	24	500	€ 284,-	16.0 kg	€ 162,-	8.0 kg	€ 427,-	15.0 kg
T80.12.30	12	1.5	24	400	€ 284,-	16.0 kg	€ 162,-	8.0 kg	€ 427,-	15.5 kg
T80.16.30	16	2.0	30	450	€ 298,-	18.0 kg	€ 169,-	8.9 kg	€ 449,-	17.3 kg
T80.20.30	20	2.5	35	500	€ 298,-	19.0 kg	€ 169,-	9.5 kg	€ 432,-	18.0 kg
T80.25.30	25	3.0	40	500	€ 298,-	20.0 kg	€ 169,-	10.0 kg	€ 432,-	19.3 kg



200 kN/m max.

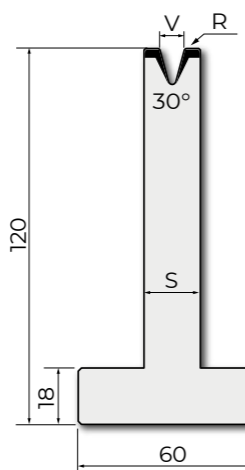
H=80 mm										
	V [mm]	R [mm]	S [mm]	kN/m max.	835 mm		415 mm		795 mm	
					FX		T		T	
T80.06.26	6	0.8	16	200	€ 291,-	14.0 kg	€ 165,-	7.0 kg	€ 435,-	13.3 kg
T80.08.26	8	1.0	20	200	€ 291,-	15.0 kg	€ 165,-	7.5 kg	€ 435,-	14.3 kg
T80.10.26	10	1.2	24	200	€ 291,-	15.5 kg	€ 165,-	8.0 kg	€ 435,-	15.5 kg
T80.12.26	12	1.6	26	200	€ 291,-	16.6 kg	€ 165,-	7.5 kg	€ 435,-	16.0 kg



C45: 560-710 N/mm<sup>2</sup>

Ver tabla

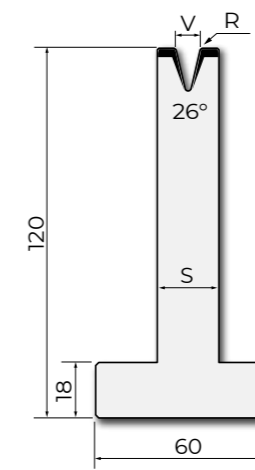
H=120 mm										
	V [mm]	R [mm]	S [mm]	kN/m max.	835 mm		415 mm		795 mm	
					FX		T		T	
T120.06.30	6	0.6	14	350	€ 436,-	16.0 kg	€ 254,-	8.0 kg	€ 611,-	16.0 kg
T120.08.30	8	0.8	18	350	€ 436,-	19.0 kg	€ 254,-	9.5 kg	€ 611,-	19.0 kg
T120.10.30	10	1.0	18	500	€ 436,-	22.0 kg	€ 254,-	10.9 kg	€ 611,-	14.5 kg
T120.12.30	12	1.5	24	400	€ 436,-	22.0 kg	€ 254,-	10.0 kg	€ 611,-	20.0 kg
T120.16.30	16	2.0	26	450	€ 457,-	25.8 kg	€ 266,-	13.0 kg	€ 641,-	25.8 kg
T120.20.30	20	2.5	30	500	€ 457,-	28.0 kg	€ 266,-	14.0 kg	€ 641,-	28.0 kg
T120.25.30	25	3.0	37	500	€ 457,-	30.5 kg	€ 266,-	15.0 kg	€ 605,-	30.5 kg



C45: 560-710 N/mm<sup>2</sup>

200 kN/m max.

H=120 mm										
	V [mm]	R [mm]	S [mm]	kN/m max.	835 mm		415 mm		795 mm	
					FX		T		T	
T120.06.26	6	0.8	16	200	€ 494,-	18.0 kg	€ 280,-	9.0 kg	€ 677,-	18.0 kg
T120.08.26	8	1.0	20	200	€ 453,-	19.0 kg	€ 258,-	9.5 kg	€ 622,-	19.0 kg
T120.10.26	10	1.2	24	200	€ 453,-	22.0 kg	€ 258,-	11.0 kg	€ 622,-	22.0 kg
T120.12.26	12	1.6	26	200	€ 453,-	22.0 kg	€ 258,-	11.0 kg	€ 622,-	22.0 kg



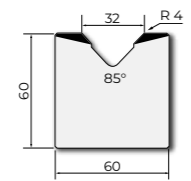




C45: 560-710 N/mm<sup>2</sup> 1000 kN/m max.

**M60.85.32**

835 mm	€ 158,-	21.6 kg
415 mm	€ 101,-	10.7 kg
795 mm	€ 303,-	20.6 kg <b>FX</b>
805 mm	€ 303,-	20.8 kg <b>F</b>

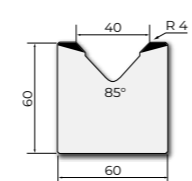


85° ✓

C45: 560-710 N/mm<sup>2</sup> 1000 kN/m max.

**M60.85.40**

835 mm	€ 158,-	20.0 kg
415 mm	€ 101,-	10.5 kg
795 mm	€ 303,-	19.0 kg <b>FX</b>
805 mm	€ 303,-	19.0 kg <b>F</b>

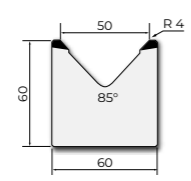


85° ✓

C45: 560-710 N/mm<sup>2</sup> 1000 kN/m max.

**M60.85.50**

835 mm	€ 158,-	19.0 kg
415 mm	€ 101,-	9.5 kg
795 mm	€ 303,-	19.0 kg <b>FX</b>
805 mm	€ 303,-	19.0 kg <b>F</b>

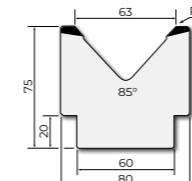


85° ✓

C45: 560-710 N/mm<sup>2</sup> 1000 kN/m max.

**M75.85.63**

835 mm	€ 308,-	29.2 kg
415 mm	€ 174,-	14.5 kg
795 mm	€ 497,-	28.0 kg <b>FX</b>
805 mm	€ 497,-	28.0 kg <b>F</b>

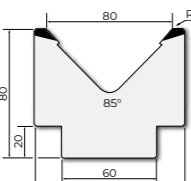


85° ✓

C45: 560-710 N/mm<sup>2</sup> 1000 kN/m max.

**M80.85.80**

835 mm	€ 390,-	33.5 kg
415 mm	€ 227,-	16.6 kg
795 mm	€ 581,-	32.2 kg <b>FX</b>
805 mm	€ 581,-	32.2 kg <b>F</b>

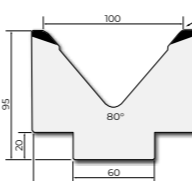


85° ✓

C45: 560-710 N/mm<sup>2</sup> 1000 kN/m max.

**M95.80.100**

835 mm	€ 490,-	46.2 kg
415 mm	€ 271,-	22.9 kg
795 mm	€ 802,-	44.5 kg <b>FX</b>
805 mm	€ 802,-	44.5 kg <b>F</b>

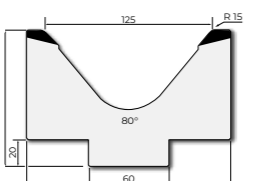


80° ✓

C45: 560-710 N/mm<sup>2</sup> 700 kN/m max.

**MK103.80.125**

835 mm	€ 695,-	62.0 kg
415 mm	€ 410,-	31.0 kg
795 mm	€ 1.078,-	59.8 kg <b>FX</b>
805 mm	€ 1.078,-	59.8 kg <b>F</b>

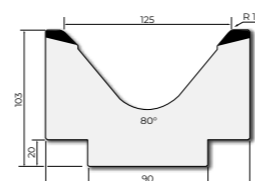


80° ✓

C45: 560-710 N/mm<sup>2</sup> 1000 kN/m max.

**M103.80.125**

835 mm	€ 636,-	64.9 kg
415 mm	€ 352,-	32.2 kg
795 mm	€ 946,-	62.5 kg <b>FX</b>
805 mm	€ 946,-	62.5 kg <b>F</b>

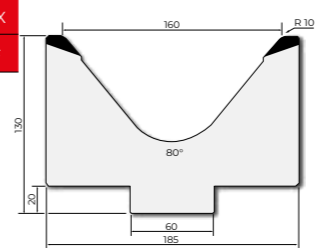


80° ✓

C45: 560-710 N/mm<sup>2</sup> 700 kN/m max.

**MK130.80.160**

835 mm	€ 911,-	93.0 kg
415 mm	€ 497,-	46.5 kg
795 mm	€ 1.419,-	88.5 kg <b>FX</b>
805 mm	€ 1.419,-	89.7 kg <b>F</b>

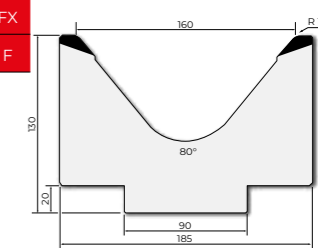


80° ✓

C45: 560-710 N/mm<sup>2</sup> 1000 kN/m max.

**M130.80.160**

835 mm	€ 848,-	97.0 kg
415 mm	€ 467,-	47.4 kg
795 mm	€ 1.240,-	88.5 kg <b>FX</b>
805 mm	€ 1.240,-	89.7 kg <b>F</b>

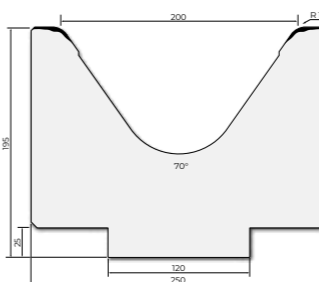


80° ✓

42Cr: 900-1150 N/mm<sup>2</sup> 1800 kN/m max.

**M195.70.200**

415 mm	€ 1.683,-	104.0 kg
--------	-----------	----------

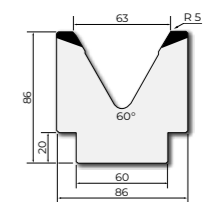


70° ✓

C45: 560-710 N/mm<sup>2</sup> 1000 kN/m max.

**M86.60.63**

835 mm	€ 574,-	33.3 kg
415 mm	€ 330,-	17.0 kg
795 mm	€ 847,-	34.0 kg <b>FX</b>
805 mm	€ 847,-	34.0 kg <b>F</b>

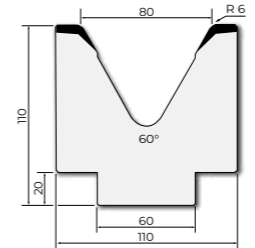


60° ✓

C45: 560-710 N/mm<sup>2</sup> 1000 kN/m max.

**M110.60.80**

835 mm	€ 824,-	53.0 kg
415 mm	€ 480,-	26.5 kg
795 mm	€ 1.208,-	50.5 kg <b>FX</b>
805 mm	€ 1.208,-	51.1 kg <b>F</b>

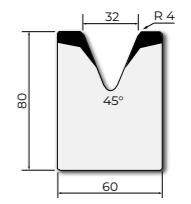


60° ✓

C45: 560-710 N/mm<sup>2</sup> 1000 kN/m max.

**M80.45.32**

835 mm	€ 263,-	27.5 kg
415 mm	€ 152,-	13.7 kg
795 mm	€ 440,-	27.5 kg <b>FX</b>
805 mm	€ 440,-	27.5 kg <b>F</b>

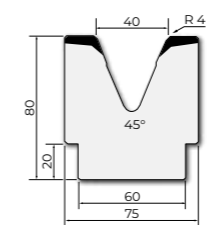


45° ✓

C45: 560-710 N/mm<sup>2</sup> 1000 kN/m max.

**M80.45.40**

835 mm	€ 383,-	30.9 kg
415 mm	€ 221,-	16.5 kg
795 mm	€ 611,-	30.7 kg <b>FX</b>
805 mm	€ 611,-	30.7 kg <b>F</b>

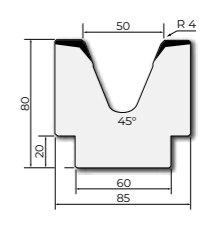


45° ✓

C45: 560-710 N/mm<sup>2</sup> 950 kN/m max.

**M80.45.50**

835 mm	€ 522,-	31.0 kg
415 mm	€ 297,-	15.5 kg
795 mm	€ 694,-	31.0 kg <b>FX</b>
805 mm	€ 694,-	31.0 kg <b>F</b>



45° ✓



C45: 560-710 N/mm<sup>2</sup> 1000 kN/m max.

**M60.90.01**

835 mm	€ 215,-	20.0 kg
415 mm	€ 120,-	10.0 kg
795 mm	€ 401,-	20.0 kg <b>FX</b>
805 mm	€ 401,-	20.0 kg <b>F</b>

90°

C45: 560-710 N/mm<sup>2</sup> 1000 kN/m max.

**M60.90.02**

835 mm	€ 215,-	20.0 kg
415 mm	€ 120,-	10.0 kg
795 mm	€ 401,-	20.0 kg <b>FX</b>
805 mm	€ 401,-	20.0 kg <b>F</b>

90°

C45: 560-710 N/mm<sup>2</sup> 1000 kN/m max.

**M.360.R**

835 mm	€ 223,-	20.0 kg
415 mm	€ 137,-	10.0 kg
795 mm	€ 382,-	20.0 kg <b>FX</b>
805 mm	€ 382,-	20.0 kg <b>F</b>

90°

C45: 560-710 N/mm<sup>2</sup> 800 kN/m max.

**M.460.R**

835 mm	€ 248,-	15.7 kg
415 mm	€ 147,-	7.7 kg
795 mm	€ 428,-	15.1 kg <b>FX</b>
805 mm	€ 428,-	15.1 kg <b>F</b>

85°

C45: 560-710 N/mm<sup>2</sup> 800 kN/m max.

**M.460**

835 mm	€ 248,-	15.7 kg
415 mm	€ 147,-	7.7 kg
795 mm	€ 428,-	15.5 kg <b>FX</b>
805 mm	€ 428,-	15.5 kg <b>F</b>

85° 88°

C45: 560-710 N/mm<sup>2</sup> 600 kN/m max.

**M.460.60**

835 mm	€ 349,-	18.0 kg
415 mm	€ 208,-	9.0 kg
795 mm	€ 502,-	16.0 kg <b>FX</b>
805 mm	€ 502,-	16.0 kg <b>F</b>

60°

C45: 560-710 N/mm<sup>2</sup> 1000 kN/m max.

**M.490**

835 mm	€ 669,-	38.9 kg
415 mm	€ 383,-	20.0 kg
795 mm	€ 911,-	39.0 kg <b>FX</b>
805 mm	€ 911,-	39.0 kg <b>F</b>

60° 80°

C45: 560-710 N/mm<sup>2</sup> 600 kN/m max.

**M.490.70**

835 mm	€ 669,-	35.8 kg
415 mm	€ 383,-	17.9 kg
795 mm	€ 911,-	36.0 kg <b>FX</b>
805 mm	€ 911,-	36.0 kg <b>F</b>

60° 80°

42Cr: 900-1150 N/mm<sup>2</sup> 1000 kN/m max.

**T70-88**

525 mm	€ 422,-	17.5 kg
495 mm	€ 603,-	16.5 kg

88°

42Cr: 900-1150 N/mm<sup>2</sup> Ver tabla

**T70-60**

525 mm	€ 455,-	16.8 kg
495 mm	€ 635,-	15.8 kg

V [mm]	6	8	10	12	16	20
kN/m max.	600	600	600	600	800	800

60°

42Cr: 900-1150 N/mm<sup>2</sup> Ver tabla

**T70-45**

525 mm	€ 477,-	16.1 kg
495 mm	€ 657,-	15.2 kg

V [mm]	6	8	10	12	16	20
kN/m max.	400	400	500	500	700	700

45°

42Cr: 900-1150 N/mm<sup>2</sup> Ver tabla

**T70-35**

525 mm	€ 527,-	15.3 kg
495 mm	€ 709,-	14.4 kg

V [mm]	6	8	10	12	16	20
kN/m max.	300	350	450	450	500	500

35°

C45: 560-710 N/mm<sup>2</sup>

**SU-T70**

525 mm	€ 252,-	12.4 kg
--------	---------	---------

Soportes

Fe37

**PB-T70**

20 mm	€ 59,-	0.2 kg
-------	--------	--------

Bloqueo



C45: 560-710 N/mm<sup>2</sup> 600 kN/m max.

12100		
835 mm	€ 126,-	8.4 kg
415 mm	€ 71,-	4.2 kg

C45: 560-710 N/mm<sup>2</sup> 700 kN/m max.

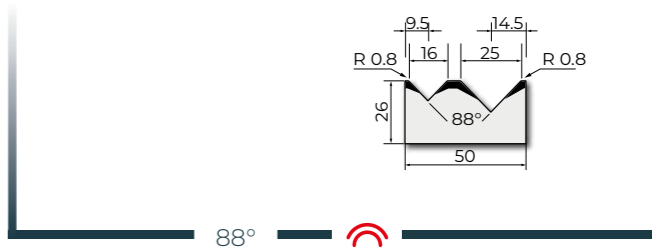
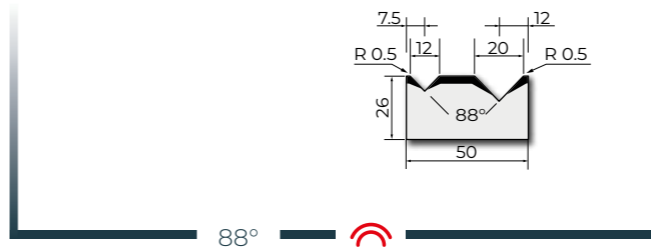
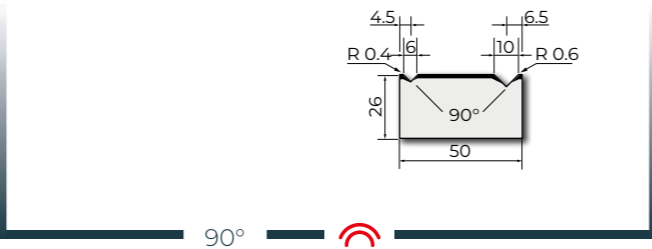
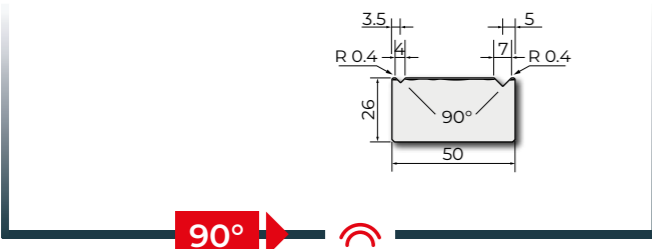
12300		
835 mm	€ 126,-	8.0 kg
415 mm	€ 71,-	3.9 kg

C45: 560-710 N/mm<sup>2</sup> 1000 kN/m max.

12600		
835 mm	€ 126,-	7.5 kg
415 mm	€ 69,-	3.7 kg

C45: 560-710 N/mm<sup>2</sup> 700 kN/m max.

12700		
835 mm	€ 126,-	7.0 kg
415 mm	€ 69,-	3.4 kg



C45: 560-710 N/mm<sup>2</sup> 800 kN/m max.

12400		
835 mm	€ 126,-	8.0 kg
415 mm	€ 71,-	3.9 kg

C45: 560-710 N/mm<sup>2</sup> 800 kN/m max.

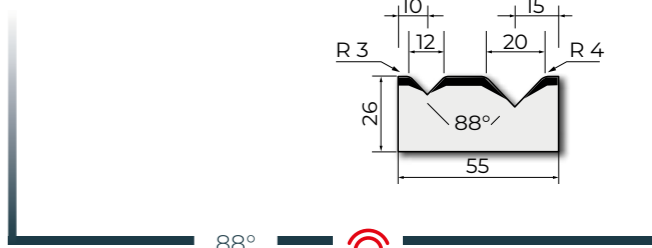
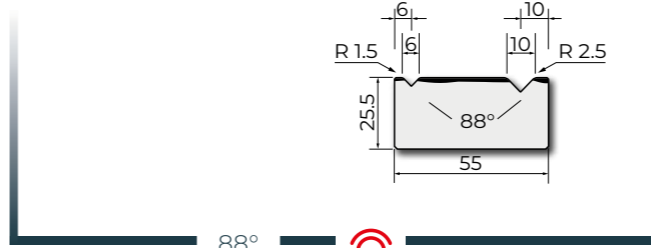
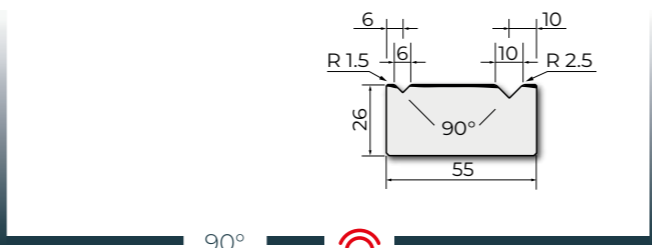
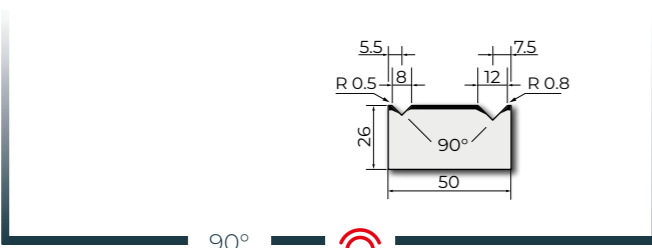
31100		
835 mm	€ 126,-	9.1 kg
415 mm	€ 71,-	4.5 kg

C45: 560-710 N/mm<sup>2</sup> 800 kN/m max.

31106		
835 mm	€ 126,-	8.9 kg
415 mm	€ 71,-	4.4 kg

C45: 560-710 N/mm<sup>2</sup> 1000 kN/m max.

31400		
835 mm	€ 126,-	7.5 kg
415 mm	€ 71,-	3.7 kg

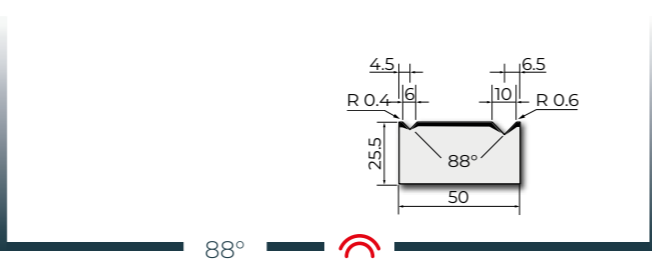
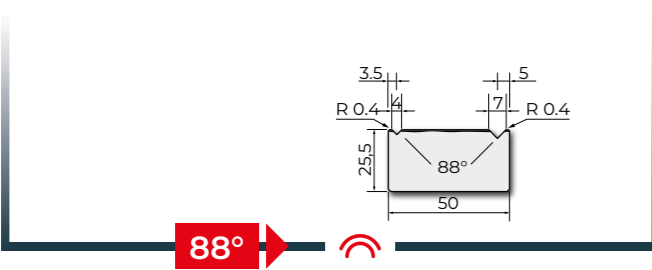


C45: 560-710 N/mm<sup>2</sup> 600 kN/m max.

12106		
835 mm	€ 126,-	8.4 kg
415 mm	€ 71,-	7.8 kg

C45: 560-710 N/mm<sup>2</sup> 700 kN/m max.

12306		
835 mm	€ 126,-	8.0 kg
415 mm	€ 69,-	3.9 kg

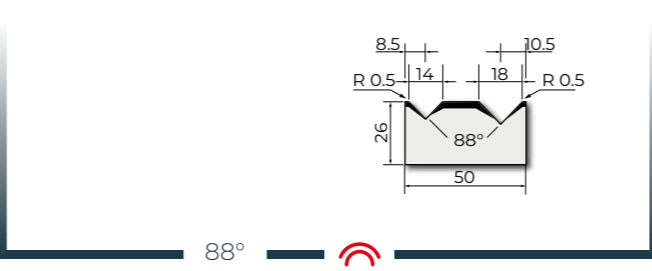
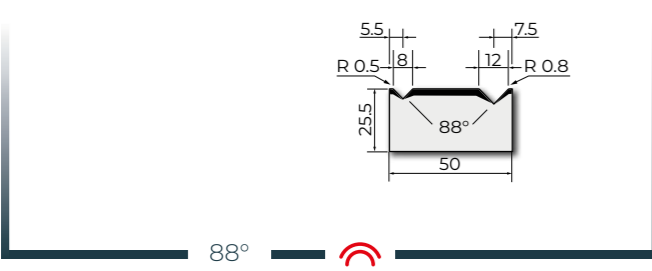


C45: 560-710 N/mm<sup>2</sup> 800 kN/m max.

12406		
835 mm	€ 126,-	8.0 kg
415 mm	€ 69,-	3.9 kg

C45: 560-710 N/mm<sup>2</sup> 1000 kN/m max.

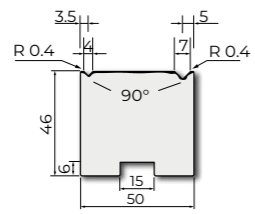
12500		
835 mm	€ 126,-	7.7 kg
415 mm	€ 69,-	3.8 kg





C45: 560-710 N/mm<sup>2</sup> 600 kN/m max.

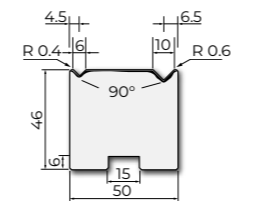
30148		
835 mm	€ 204,-	14.2 kg
415 mm	€ 112,-	7.1 kg
795 mm	€ 343,-	13.5 kg <b>FX</b>
805 mm	€ 343,-	13.7 kg <b>F</b>



90°

C45: 560-710 N/mm<sup>2</sup> 700 kN/m max.

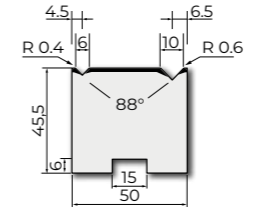
30248		
835 mm	€ 204,-	14.2 kg
415 mm	€ 112,-	7.1 kg
795 mm	€ 343,-	13.5 kg <b>FX</b>
805 mm	€ 343,-	13.7 kg <b>F</b>



90°

C45: 560-710 N/mm<sup>2</sup> 700 kN/m max.

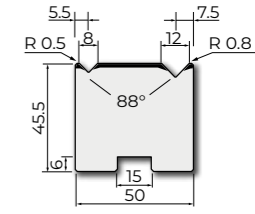
30247		
835 mm	€ 204,-	14.0 kg
415 mm	€ 112,-	8.4 kg
795 mm	€ 343,-	16.2 kg <b>FX</b>
805 mm	€ 343,-	16.4 kg <b>F</b>



88°

C45: 560-710 N/mm<sup>2</sup> 700 kN/m max.

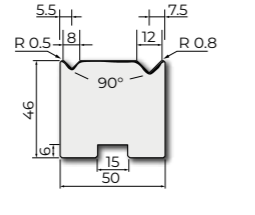
30347		
835 mm	€ 204,-	14.2 kg
415 mm	€ 112,-	7.1 kg
795 mm	€ 343,-	13.5 kg <b>FX</b>
805 mm	€ 343,-	13.7 kg <b>F</b>



88°

C45: 560-710 N/mm<sup>2</sup> 700 kN/m max.

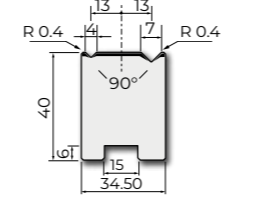
30348		
835 mm	€ 204,-	14.2 kg
415 mm	€ 112,-	7.1 kg
795 mm	€ 343,-	13.5 kg <b>FX</b>
805 mm	€ 343,-	13.7 kg <b>F</b>



90°

C45: 560-710 N/mm<sup>2</sup> 600 kN/m max.

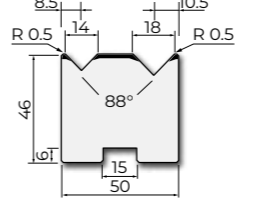
50190		
835 mm	€ 204,-	9.7 kg
415 mm	€ 112,-	4.8 kg
795 mm	€ 343,-	9.2 kg <b>FX</b>
805 mm	€ 343,-	9.4 kg <b>F</b>



90°

C45: 560-710 N/mm<sup>2</sup> 1000 kN/m max.

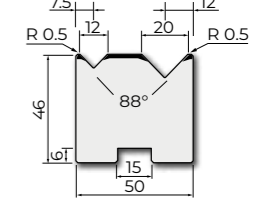
30448		
835 mm	€ 204,-	13.5 kg
415 mm	€ 112,-	6.7 kg
795 mm	€ 343,-	13.5 kg <b>FX</b>
805 mm	€ 343,-	13.7 kg <b>F</b>



88°

C45: 560-710 N/mm<sup>2</sup> 1000 kN/m max.

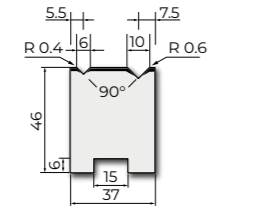
30548		
835 mm	€ 204,-	13.5 kg
415 mm	€ 112,-	6.7 kg
795 mm	€ 343,-	13.5 kg <b>FX</b>
805 mm	€ 343,-	13.7 kg <b>F</b>



88°

C45: 560-710 N/mm<sup>2</sup> 700 kN/m max.

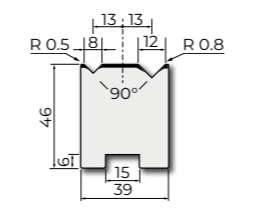
50290		
835 mm	€ 204,-	10.3 kg
415 mm	€ 112,-	5.2 kg
795 mm	€ 343,-	10.0 kg <b>FX</b>
805 mm	€ 343,-	10.1 kg <b>F</b>



90°

C45: 560-710 N/mm<sup>2</sup> 700 kN/m max.

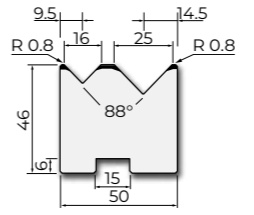
50390		
835 mm	€ 204,-	10.7 kg
415 mm	€ 112,-	5.3 kg
795 mm	€ 343,-	10.7 kg <b>FX</b>
805 mm	€ 343,-	10.7 kg <b>F</b>



90°

C45: 560-710 N/mm<sup>2</sup> 1000 kN/m max.

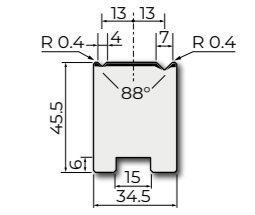
30648		
835 mm	€ 204,-	12.9 kg
415 mm	€ 112,-	6.4 kg
795 mm	€ 343,-	13.5 kg <b>FX</b>
805 mm	€ 343,-	13.7 kg <b>F</b>



88°

C45: 560-710 N/mm<sup>2</sup> 600 kN/m max.

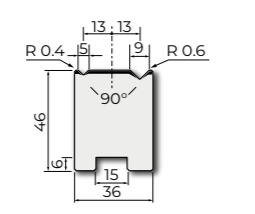
50196		
835 mm	€ 204,-	9.5 kg
415 mm	€ 112,-	4.8 kg
795 mm	€ 343,-	9.5 kg <b>FX</b>
805 mm	€ 343,-	9.5 kg <b>F</b>



88°

C45: 560-710 N/mm<sup>2</sup> 600 kN/m max.

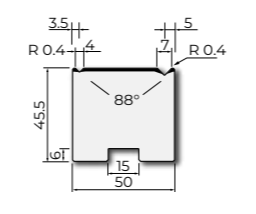
50790		
835 mm	€ 204,-	10.0 kg
415 mm	€ 112,-	5.0 kg
795 mm	€ 343,-	9.5 kg <b>FX</b>
805 mm	€ 343,-	9.7 kg <b>F</b>



90°

C45: 560-710 N/mm<sup>2</sup> 600 kN/m max.

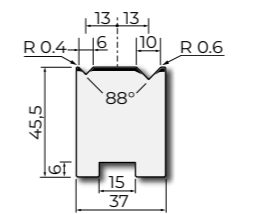
30147		
835 mm	€ 204,-	14.2 kg
415 mm	€ 112,-	7.1 kg
795 mm	€ 343,-	13.5 kg <b>FX</b>
805 mm	€ 343,-	13.7 kg <b>F</b>



88°

C45: 560-710 N/mm<sup>2</sup> 700 kN/m max.

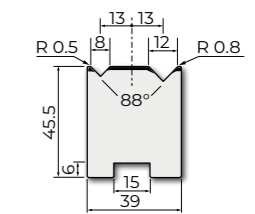
50296		
835 mm	€ 204,-	10.4 kg
415 mm	€ 112,-	5.2 kg
795 mm	€ 343,-	10.4 kg <b>FX</b>
805 mm	€ 343,-	10.4 kg <b>F</b>



88°

C45: 560-710 N/mm<sup>2</sup> 700 kN/m max.

50396		
835 mm	€ 204,-	10.8 kg
415 mm	€ 112,-	5.3 kg
795 mm	€ 343,-	10.8 kg <b>FX</b>
805 mm	€ 343,-	10.8 kg <b>F</b>



88°

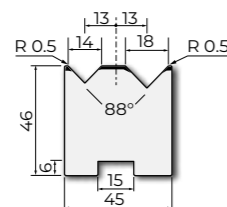


Matrices autocentrables con 2-V - **R1 Serie A**

C45: 560-710 N/mm<sup>2</sup> 1000 kN/m max.

**50490**

835 mm	€ 204,-	12.0 kg
415 mm	€ 112,-	5.3 kg
795 mm	€ 343,-	10.8 kg <b>FX</b>
805 mm	€ 343,-	10.8 kg <b>F</b>

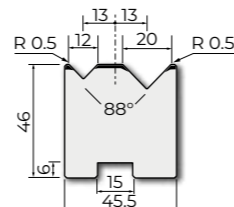


88°

C45: 560-710 N/mm<sup>2</sup> 700 kN/m max.

**50590**

835 mm	€ 204,-	12.2 kg
415 mm	€ 112,-	6.1 kg
795 mm	€ 343,-	12.2 kg <b>FX</b>
805 mm	€ 343,-	12.2 kg <b>F</b>

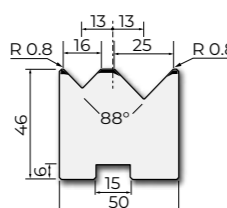


88°

C45: 560-710 N/mm<sup>2</sup> 1000 kN/m max.

**50690**

835 mm	€ 204,-	13.0 kg
415 mm	€ 112,-	6.5 kg
795 mm	€ 343,-	12.4 kg <b>FX</b>
805 mm	€ 343,-	12.6 kg <b>F</b>

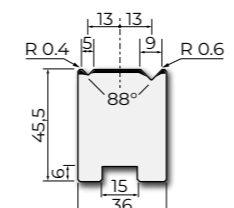


88°

C45: 560-710 N/mm<sup>2</sup> 600 kN/m max.

**50796**

835 mm	€ 204,-	10.0 kg
415 mm	€ 112,-	5.0 kg
795 mm	€ 343,-	9.5 kg <b>FX</b>
805 mm	€ 343,-	9.5 kg <b>F</b>

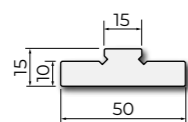


88°

C45: 560-710 N/mm<sup>2</sup> 1000 kN/m max.

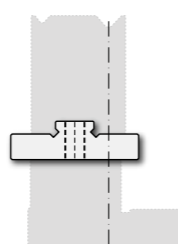
**30000**

835 mm	€ 131,-	3.7 kg
415 mm	€ 71,-	1.9 kg



Soportes

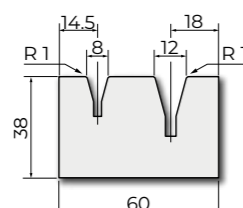
Ejemplo de uso



42Cr: 900-1150 N/mm<sup>2</sup> 300 kN/m max.

**33700**

835 mm	€ 193,-	13.3 kg
415 mm	€ 103,-	5.6 kg



30°



Matrices autocentrables con 1-V - **R1 Serie A**



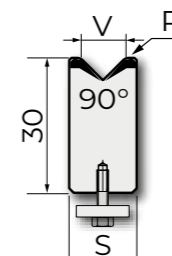
Ver tabla

R1

C45: 560-710 N/mm<sup>2</sup>

**H=30 mm**

V [mm]	R [mm]	S [mm]	kn/m max.	835 mm	415 mm
32000	6	1.5	14	€ 111,- 3.0 kg	€ 74,- 1.5 kg
32100	8	1.5	14	€ 111,- 3.0 kg	€ 74,- 1.5 kg
32300	10	2.0	15	€ 111,- 3.0 kg	€ 74,- 1.5 kg
32600	12	2.5	17	€ 111,- 2.9 kg	€ 74,- 1.5 kg

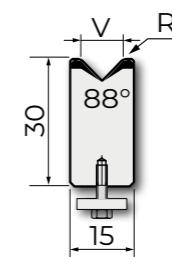


90°

C45: 560-710 N/mm<sup>2</sup>

**H=30 mm \*H=29.5**

V [mm]	R [mm]	S [mm]	kn/m max.	835 mm	415 mm
32006*	6	1.5	14	€ 111,- 3.0 kg	€ 74,- 1.5 kg
32106*	8	1.5	14	€ 111,- 3.0 kg	€ 74,- 1.5 kg
32200	10	2.0	15	€ 111,- 3.0 kg	€ 74,- 1.5 kg
32400	12	2.5	17	€ 111,- 3.0 kg	€ 74,- 1.5 kg
32500	16	2.5	18	€ 111,- 3.3 kg	€ 74,- 1.6 kg

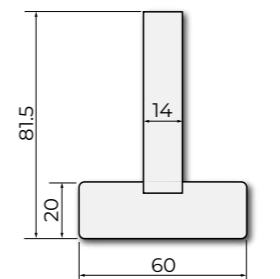


88°

C45: 560-710 N/mm<sup>2</sup>

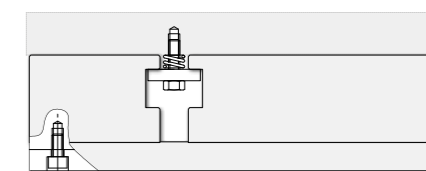
**33000**

835 mm	€ 197,-	12.7 kg
415 mm	€ 107,-	6.3 kg



Soportes

Ejemplo de uso

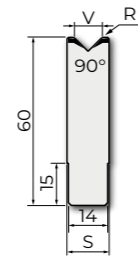


Matrices autocentrables con I-V - **R1 Serie A**

C45: 560-710 N/mm<sup>2</sup> 950 kN/m max.

H=60 mm															
	V [mm]	R [mm]	S [mm]												
07000	6	1.5	14	835 mm	€ 271,-	5.5 kg	415 mm	€ 189,-	2.7 kg	<b>FX</b>	€ 452,-	5.2 kg	<b>F</b>	€ 452,-	5.3 kg
07100	8	1.5	14		€ 271,-	5.5 kg		€ 189,-	2.7 kg	€ 452,-	5.2 kg	€ 452,-	5.3 kg		
07300	10	2.0	15		€ 271,-	6.0 kg		€ 189,-	3.0 kg	€ 452,-	5.3 kg	€ 452,-	5.4 kg		
07500	12	2.5	15		€ 271,-	6.1 kg		€ 189,-	3.0 kg	€ 452,-	5.8 kg	€ 452,-	5.9 kg		
					€ 271,-	6.1 kg		€ 189,-	3.0 kg	€ 452,-	5.8 kg	€ 452,-	5.9 kg		

Para soportes compatibles ver pág. 58

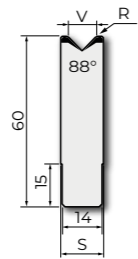


90°

C45: 560-710 N/mm<sup>2</sup> 950 kN/m max.

H=60 mm															
	V [mm]	R [mm]	S [mm]												
07006	6	1.5	14	835 mm	€ 271,-	5.5 kg	415 mm	€ 189,-	2.7 kg	<b>FX</b>	€ 271,-	5.2 kg	<b>F</b>	€ 271,-	5.3 kg
07106	8	1.5	14		€ 271,-	5.5 kg		€ 189,-	2.7 kg	€ 452,-	5.2 kg	€ 452,-	5.3 kg		
07200	10	2.0	15		€ 271,-	6.0 kg		€ 189,-	3.0 kg	€ 452,-	5.4 kg	€ 452,-	5.5 kg		
07400	12	2.5	17		€ 271,-	6.0 kg		€ 189,-	3.0 kg	€ 452,-	5.8 kg	€ 452,-	5.9 kg		
					€ 271,-	6.1 kg		€ 189,-	3.0 kg	€ 452,-	5.8 kg	€ 452,-	5.9 kg		

Para soportes compatibles ver pág. 58



88°

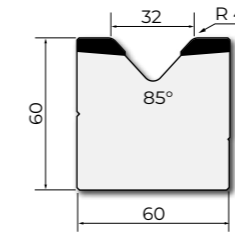
Matrices con I-V - **R1 Serie A**



R1

C45: 560-710 N/mm<sup>2</sup> 1000 kN/m max.

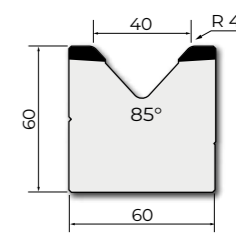
03500		
835 mm	€ 152,-	21.7 kg
415 mm	€ 98,-	10.8 kg
795 mm	€ 294,-	21.7 kg <b>FX</b>
805 mm	€ 294,-	21.7 kg <b>F</b>



85°

C45: 560-710 N/mm<sup>2</sup> 1000 kN/m max.

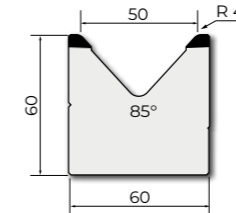
03600		
835 mm	€ 152,-	20.5 kg
415 mm	€ 98,-	10.2 kg
795 mm	€ 294,-	19.5 kg <b>FX</b>
805 mm	€ 294,-	19.7 kg <b>F</b>



85°

C45: 560-710 N/mm<sup>2</sup> 1000 kN/m max.

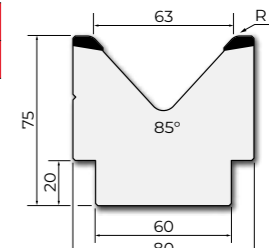
03700		
835 mm	€ 152,-	18.9 kg
415 mm	€ 98,-	9.4 kg
795 mm	€ 294,-	18.9 kg <b>FX</b>
805 mm	€ 294,-	18.9 kg <b>F</b>



85°

C45: 560-710 N/mm<sup>2</sup> 1000 kN/m max.

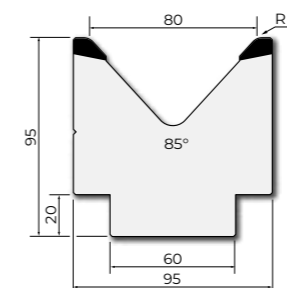
03800		
835 mm	€ 298,-	29.2 kg
415 mm	€ 169,-	14.5 kg
795 mm	€ 482,-	29.2 kg <b>FX</b>
805 mm	€ 482,-	29.2 kg <b>F</b>



85°

C45: 560-710 N/mm<sup>2</sup> 700 kN/m max.

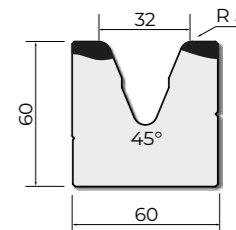
01360		
835 mm	€ 378,-	42.6 kg
415 mm	€ 215,-	21.2 kg
795 mm	€ 563,-	42.6 kg <b>FX</b>
805 mm	€ 563,-	42.6 kg <b>F</b>



85°

C45: 560-710 N/mm<sup>2</sup> 400 kN/m max.

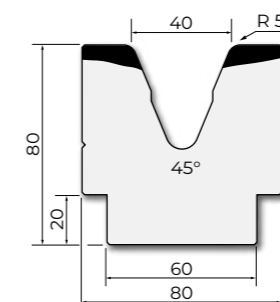
34200		
835 mm	€ 174,-	19.2 kg
415 mm	€ 95,-	9.6 kg
795 mm	€ 326,-	19.2 kg <b>FX</b>
805 mm	€ 326,-	19.2 kg <b>F</b>



45°

C45: 560-710 N/mm<sup>2</sup> 700 kN/m max.

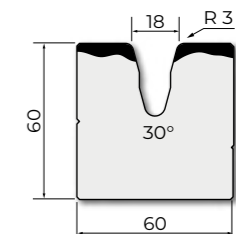
34300		
835 mm	€ 372,-	32.7 kg
415 mm	€ 213,-	16.2 kg
795 mm	€ 593,-	31.1 kg <b>FX</b>
805 mm	€ 593,-	31.5 kg <b>F</b>



45°

C45: 560-710 N/mm<sup>2</sup> 800 kN/m max.

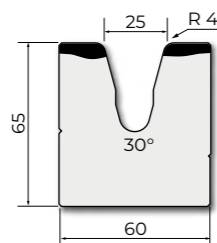
34000		
835 mm	€ 162,-	21.5 kg
415 mm	€ 87,-	10.7 kg
795 mm	€ 255,-	21.5 kg <b>FX</b>
805 mm	€ 255,-	21.5 kg <b>F</b>



30°

C45: 560-710 N/mm<sup>2</sup> **34100** 600 kN/m max.

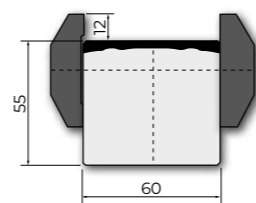
835 mm	€ 170,-	21.7 kg
415 mm	€ 95,-	10.8 kg
795 mm	€ 320,-	21.7 kg <b>FX</b>
805 mm	€ 320,-	21.7 kg <b>F</b>



30°

C45: 560-710 N/mm<sup>2</sup> **05500** 1000 kN/m max.

835 mm	€ 224,-	21.7 kg
415 mm	€ 135,-	10.8 kg



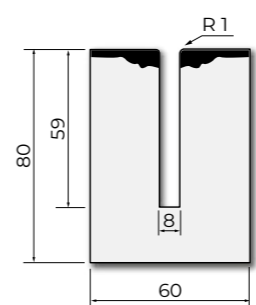
Soportes



42Cr: 900-1150 N/mm<sup>2</sup> **TOP.SM-134.28.8** 500 kN/m max. - 1000 kN/m max.

525 mm	€ 301,-	17.5 kg
495 mm	€ 481,-	16.5 kg

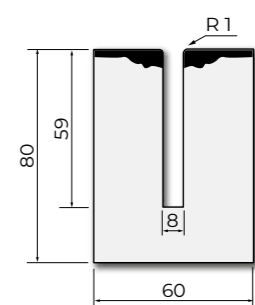
Para usar con:  
▶ TOP.SP-134.28.8 (pag. 15)



42Cr: 900-1150 N/mm<sup>2</sup> **TOP.SM-134.24.8** 500 kN/m max. - 1000 kN/m max.

525 mm	€ 301,-	16.5 kg
495 mm	€ 481,-	16.5 kg

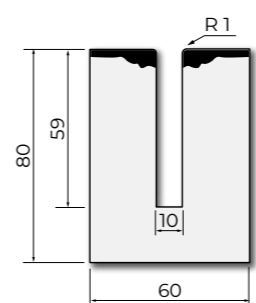
Para usar con:  
▶ TOP.SP-134.24.8 (pag. 15)



42Cr: 900-1150 N/mm<sup>2</sup> **TOP.SM-134.24.10** 500 kN/m max. - 1000 kN/m max.

525 mm	€ 301,-	18.0 kg
495 mm	€ 481,-	16.9 kg

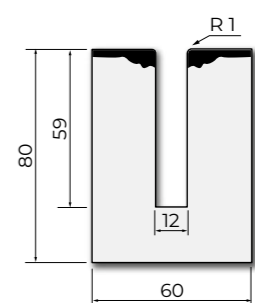
Para usar con:  
▶ TOP.SP-134.24.10 (pag. 15)



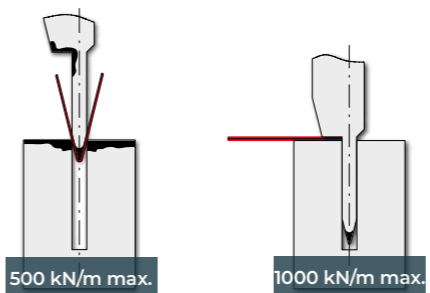
42Cr: 900-1150 N/mm<sup>2</sup> **TOP.SM-134.24.12** 500 kN/m max. - 1000 kN/m max.

525 mm	€ 301,-	16.8 kg
495 mm	€ 481,-	15.9 kg

Para usar con:  
▶ TOP.SP-134.24.12 (pag. 15)



Ejemplo de uso



S [mm]	A [mm]	R.420 N/mm <sup>2</sup> kN/m	R.700 N/mm <sup>2</sup> kN/m
0.6	3.0	90	150
0.8	3.0	120	200
1.0	3.5	150	250
1.25	3.5	170	260

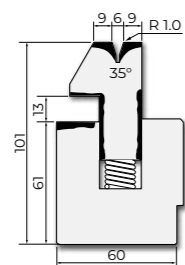
S [mm]	A [mm]	R.420 N/mm <sup>2</sup> kN/m	R.700 N/mm <sup>2</sup> kN/m
0.6	1.2	230	350
0.8	1.6	320	500
1.0	1.0	400	600
1.25	2.5	500	800



C45: 560-710 N/mm<sup>2</sup> 600 kN/m max.

**S101.35.06**

835 mm	€ 587,-	30.0 kg
415 mm	€ 341,-	15.4 kg

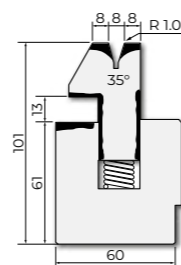


35°

C45: 560-710 N/mm<sup>2</sup> 600 kN/m max.

**S101.35.08**

835 mm	€ 587,-	30.0 kg
415 mm	€ 341,-	15.0 kg

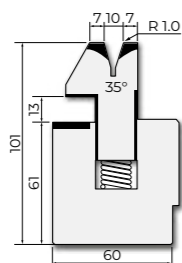


35°

C45: 560-710 N/mm<sup>2</sup> 600 kN/m max.

**S101.35.10**

835 mm	€ 587,-	30.0 kg
415 mm	€ 341,-	15.5 kg

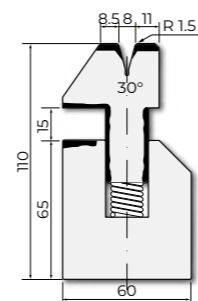


35°

C45: 560-710 N/mm<sup>2</sup> 800 kN/m max.

**S110.30.08**

835 mm	€ 612,-	30.0 kg
415 mm	€ 355,-	15.0 kg

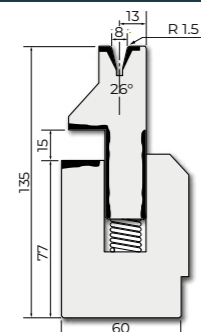


30°

42Cr: 900-1150 N/mm<sup>2</sup> 400 kN/m max.

**S135.26.08**

835 mm	€ 1.040,-	39.8 kg
415 mm	€ 571,-	21.0 kg

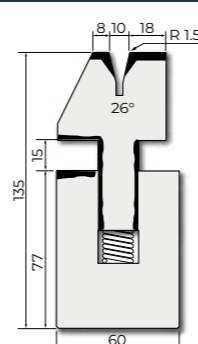


26°

C45: 560-710 N/mm<sup>2</sup> 1000 kN/m max.

**S135.26.10**

835 mm	€ 697,-	41.5 kg
415 mm	€ 412,-	20.7 kg

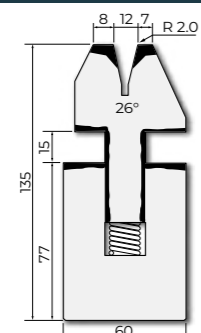


26°

C45: 560-710 N/mm<sup>2</sup> 1000 kN/m max.

**SA135.26.12**

835 mm	€ 738,-	41.0 kg
415 mm	€ 476,-	20.5 kg



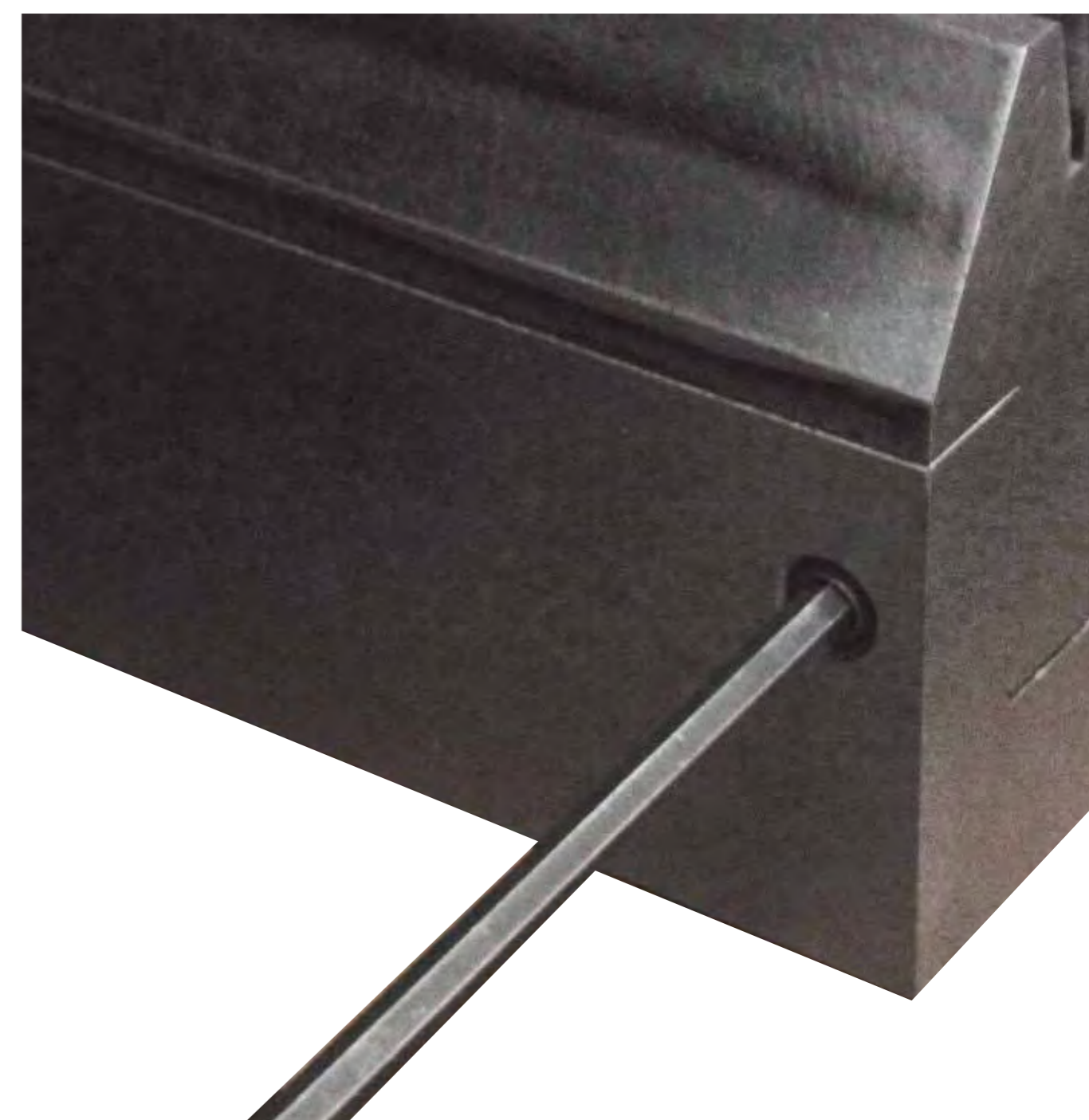
26°

Las matrices aplanadoras pueden ser usadas como matrices estándar, bloqueando la parte móvil del recorrido del muelle.



S [mm]	A [mm]	R.420 N/mm <sup>2</sup> kN/m	R.700 N/mm <sup>2</sup> kN/m
0.6	3.0	90	150
0.8	3.0	120	200
1.0	3.5	150	250
1.25	3.5	170	260
1.5	4.6	220	380
2.0	5.5	300	500
2.5	6.5	550	-
3.0	8.0	700	-

S [mm]	A [mm]	R.420 N/mm <sup>2</sup> kN/m	R.700 N/mm <sup>2</sup> kN/m
0.6	1.2	230	350
0.8	1.6	320	500
1.0	2.0	400	600
1.25	2.5	500	800
1.5	3.0	630	950
2.0	4.0	800	1300
2.5	5.0	900	-
3.0	6.0	1000	-





**KPN**

€ 335,-	1.0 kg
---------	--------

Accesorio ✓

C45: 560-710 N/mm<sup>2</sup> 600 kN/m max.

**S101PN.35.06**

835 mm	€ 1.013,-	30.0 kg
415 mm	€ 798,-	15.5 kg

35° ✓

C45: 560-710 N/mm<sup>2</sup> 600 kN/m max.

**S101PN.35.08**

835 mm	€ 1.013,-	31.0 kg
415 mm	€ 798,-	15.5 kg

35° ✓

C45: 560-710 N/mm<sup>2</sup> 600 kN/m max.

**S101PN.35.10**

835 mm	€ 1.013,-	29.0 kg
415 mm	€ 798,-	15.5 kg

35° ✓

C45: 560-710 N/mm<sup>2</sup> 800 kN/m max.

**S110PN.30.08**

835 mm	€ 1.035,-	30.0 kg
415 mm	€ 812,-	15.0 kg

30° ✓

42Cr: 900-1150 N/mm<sup>2</sup> 400 kN/m max.

**S135PN.26.08**

835 mm	€ 1.542,-	39.8 kg
415 mm	€ 1.125,-	21.2 kg

26° ✓

C45: 560-710 N/mm<sup>2</sup> 1000 kN/m max.

**S135PN.26.10**

835 mm	€ 1.149,-	41.5 kg
415 mm	€ 882,-	20.7 kg

26° ✓

C45: 560-710 N/mm<sup>2</sup> 1000 kN/m max.

**SAI35PN.26.12**

835 mm	€ 1.278,-	41.0 kg
415 mm	€ 944,-	20.5 kg

26° ✓

S [mm]	A [mm]	R.45 Kg/mm <sup>2</sup> kN/m	R.70 Kg/mm <sup>2</sup> kN/m
0.6	3.0	90	150
0.8	3.0	120	200
1.0	3.5	150	250
1.25	3.5	170	260
1.5	4.6	220	380
2.0	5.5	300	500
2.5	6.5	550	-
3.0	8.0	700	-

S [mm]	A [mm]	R.45 Kg/mm <sup>2</sup> kN/m	R.70 Kg/mm <sup>2</sup> kN/m
0.6	1.2	230	350
0.8	1.6	320	500
1.0	1.0	400	600
1.25	2.5	500	800
1.5	3.0	630	950
2.0	4.0	800	1300
2.5	5.0	900	-
3.0	6.0	1000	-





## PUNZONES ROLLERI TIPO R2

### ▼ COMPATIBILIDAD

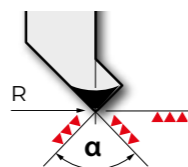
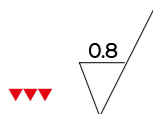
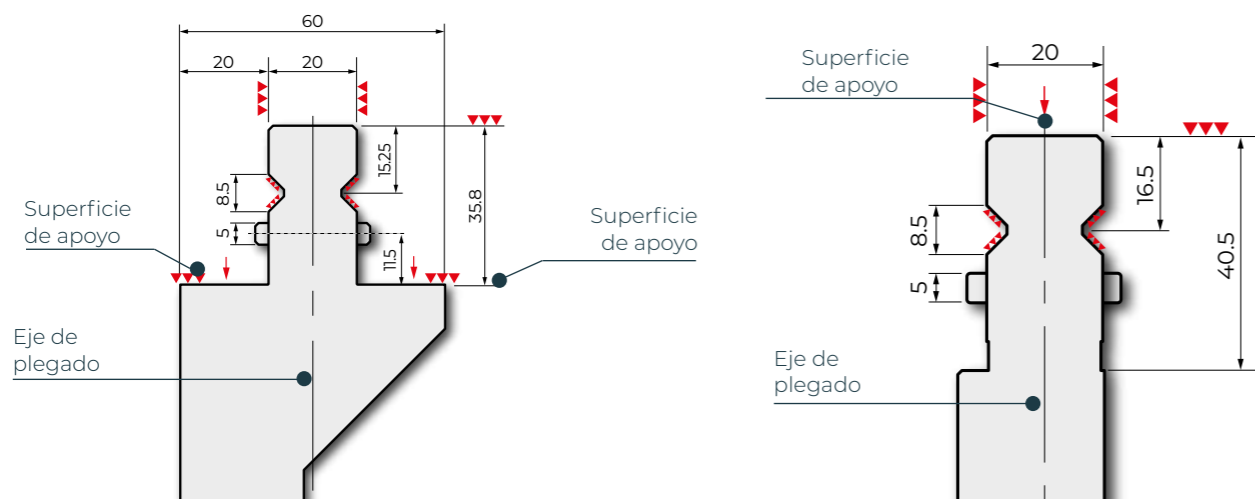
Darley  
LVD  
Safan  
Trumpf  
Plegadoras con sistema NSCL

<b>Especificaciones</b>	88 - 91
<b>Punzones</b>	92 - 97
90°	92
86°	92 - 94
80°	94
60°	95 - 96
28°	96 - 97
<b>Punzones para plegar y aplanar</b>	98
<b>Soportes y útiles de plegado en Z</b>	99
<b>Soportes y útiles para curvar</b>	100 - 101



ATAQUE

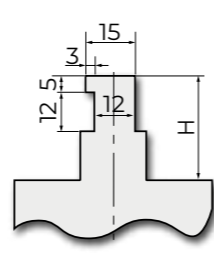
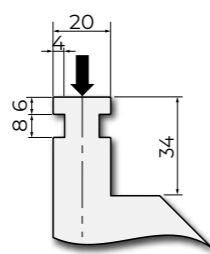
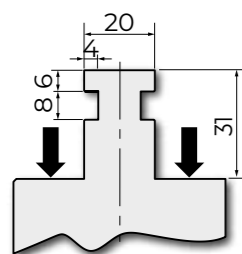
↓ Superficie de apoyo



MODIFICACIÓN RANURA DE ATAQUE

Modificación del útil tipo R2 con empuje sobre los hombros

Modificación del útil tipo R2 con empuje sobre cabezal



LONGITUD ESTÁNDAR

100 mm	
250 mm	
500 mm	
515 mm	
525 mm	

ATAQUES

QuickLock (estándar)

- ▶ Cambio vertical
- ▶ Uso sencillo
- ▶ Mínimos tiempos de montaje
- ▶ Para útiles < 12,5 kg
- ▶ Para útiles > 12,5 kg es posible fraccionar la longitud

! Consulta este icono, puede elegir entre tres soluciones de sujeción diferentes



Bulón de seguridad (estándar)

- ▶ Cambio de útil deslizando en horizontal
- ▶ Todas las herramientas que pesen más de 12.5 kg se entregan por defecto con pasadores de seguridad



Sistema ROLI

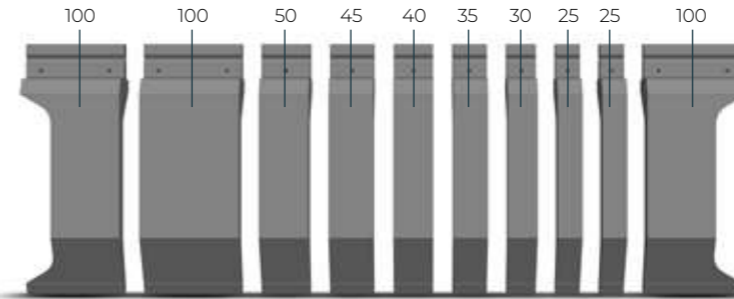
- ▶ Cambio de útil vertical haciendo presión sobre la esfera de acero que monta el útil
- ▶ Durabilidad
- ▶ Uso sencillo, utilizar sólo en caso de ataque con tratamiento de templeado
- ▶ Para útiles con peso < 12.5 kg



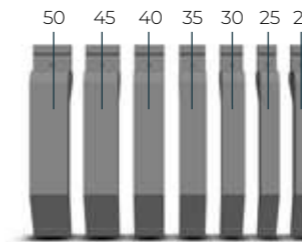


MÓDULOS FRACCIONADOS

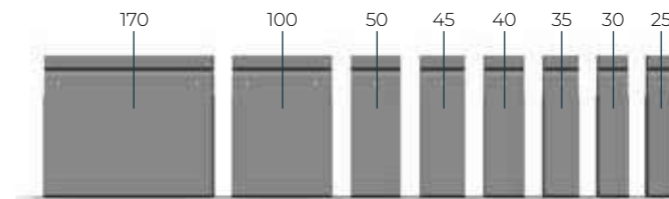
FW: 550 mm - 10 segmentos



FC: 250 mm - 7 segmentos



F: 495 mm - 8 segmentos



FA: 1250-2050-2550-3050-4050 mm

Long. en mm	25	30	35	40	45	50	100 scsx	100 scdx	100
1250	2	1	1	1	1	1	1	1	8
2050	2	1	1	1	1	1	1	1	16
2550	2	1	1	1	1	1	1	1	21
3050	2	1	1	1	1	1	1	1	26
4050	2	1	1	1	1	1	1	1	36

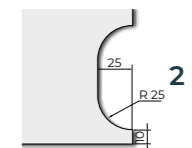
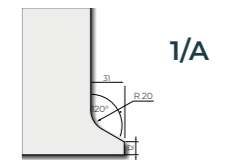
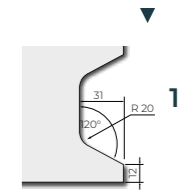
Disponible bajo pedido

FB: 1250-2050-2550-3050-4050 mm

Long. en mm	25	30	35	40	45	50	100 scsx	100 scdx	100	200	300	500
1250	2	1	1	1	1	1	1	1	1	2	1	0
2050	2	1	1	1	1	1	1	1	1	1	1	2
2550	2	1	1	1	1	1	1	1	1	1	1	3
3050	2	1	1	1	1	1	1	1	1	1	1	4
4050	2	1	1	1	1	1	1	1	1	1	1	6

Disponible bajo pedido

Bigornias

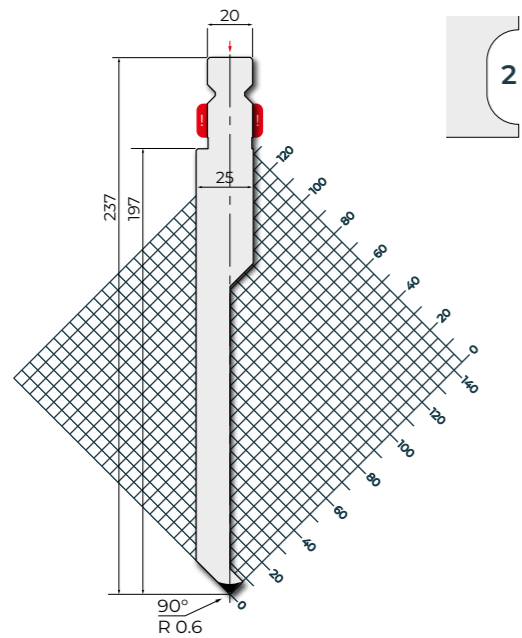




42Cr: 900-1150 N/mm<sup>2</sup> 600 kN/m max.

**TPR237.90.R06**

100 mm	☺	3.4 kg
250 mm	€ 352,-	8.5 kg
515 mm	€ 457,-	17.5 kg
550 mm	€ 904,-	18.7 kg <b>FW</b>



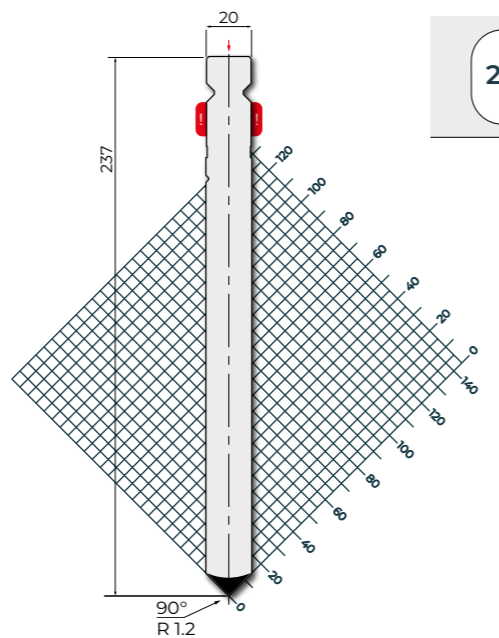
90°



42Cr: 900-1150 N/mm<sup>2</sup> 1000 kN/m max.

**TPR237.90.R12**

100 mm	☺	3.7 kg
250 mm	€ 273,-	9.2 kg
515 mm	€ 416,-	19.0 kg
550 mm	€ 858,-	20.3 kg <b>FW</b>



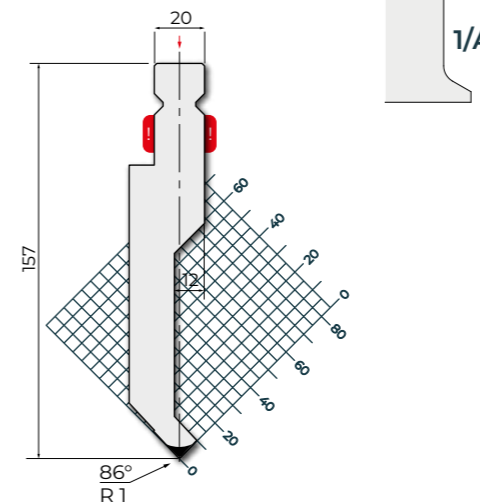
90°



42Cr: 900-1150 N/mm<sup>2</sup> 800 kN/m max.

**TPR157.86.R1-A**

100 mm	☺	2.5 kg
500 mm	€ 245,-	12.5 kg
250 mm	€ 269,-	6.2 kg <b>FC</b>
550 mm	€ 481,-	12.5 kg <b>FW</b>



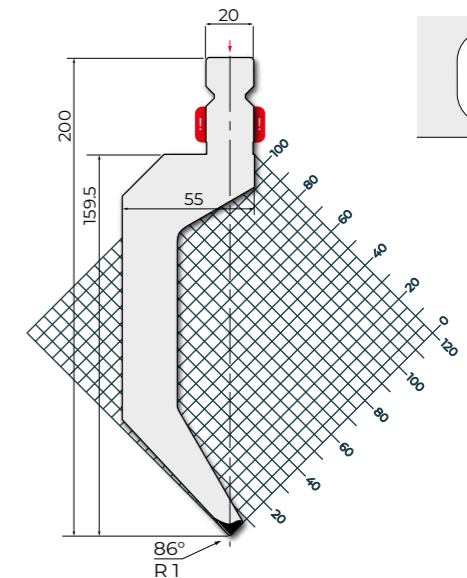
86°



42Cr: 900-1150 N/mm<sup>2</sup> 500 kN/m max.

**TPR200.86.R1**

100 mm	☺	3.7 kg
250 mm	€ 352,-	6.1 kg
515 mm	€ 473,-	19.1 kg
550 mm	€ 961,-	20.4 kg <b>FW</b>



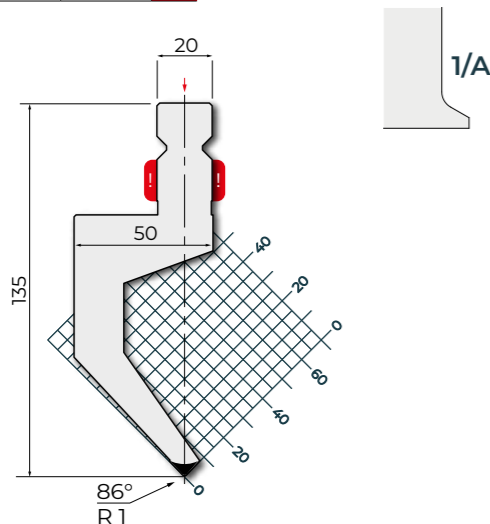
86°



42Cr: 900-1150 N/mm<sup>2</sup> 650 kN/m max.

**TPR135.86.R1**

100 mm	☺	2.4 kg
250 mm	€ 289,-	6.0 kg
515 mm	€ 362,-	12.3 kg
550 mm	€ 776,-	13.1 kg <b>FW</b>



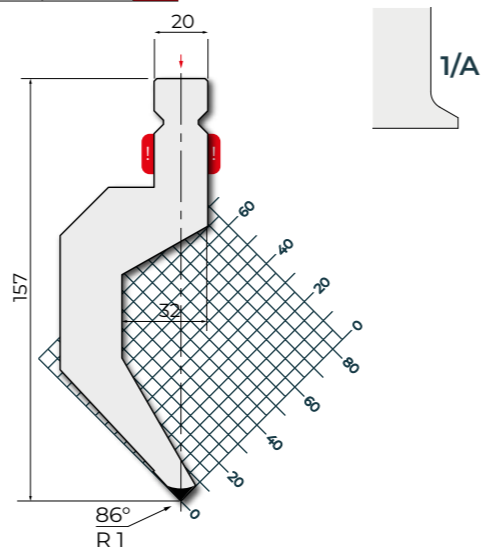
86°



42Cr: 900-1150 N/mm<sup>2</sup> 800 kN/m max.

**TPR157.86.R1**

100 mm	☺	3.0 kg
500 mm	€ 307,-	14.0 kg
250 mm	€ 337,-	7.5 kg <b>FC</b>
550 mm	€ 608,-	15.0 kg <b>FW</b>



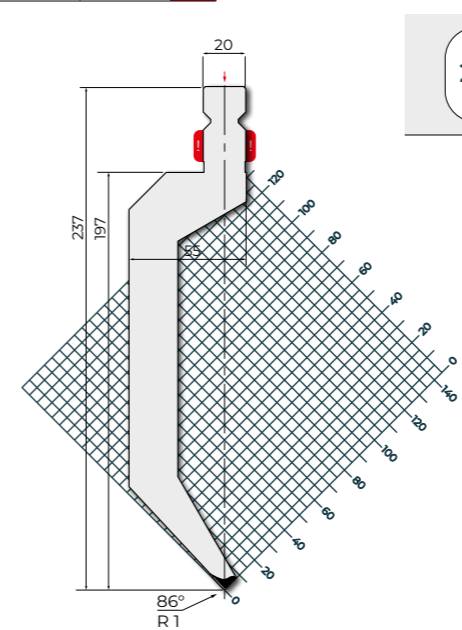
86°



42Cr: 900-1150 N/mm<sup>2</sup> 500 kN/m max.

**TPR237.86.R1**

100 mm	☺	4.5 kg
250 mm	€ 436,-	11.2 kg
515 mm	€ 567,-	23.0 kg
550 mm	€ 1.053,-	24.6 kg <b>FW</b>



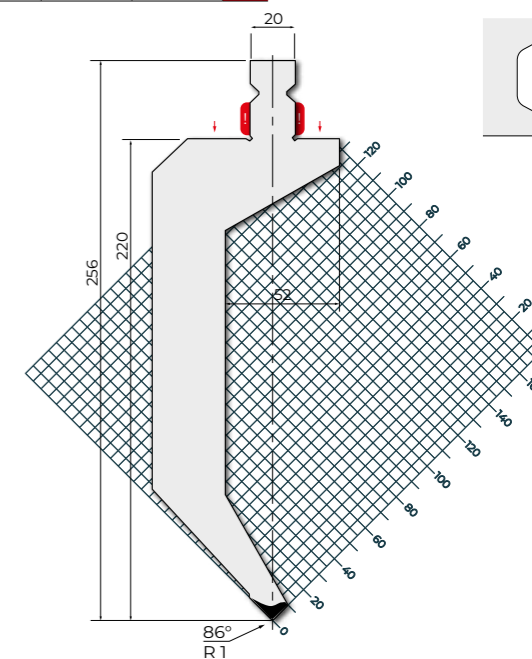
86°



42Cr: 900-1150 N/mm<sup>2</sup> 800 kN/m max.

**TPR256.86.R1**

100 mm	☺	6.5 kg
500 mm	€ 772,-	33.0 kg
250 mm	€ 841,-	16.5 kg <b>FC</b>
550 mm	€ 1.657,-	33.0 kg <b>FW</b>



86°

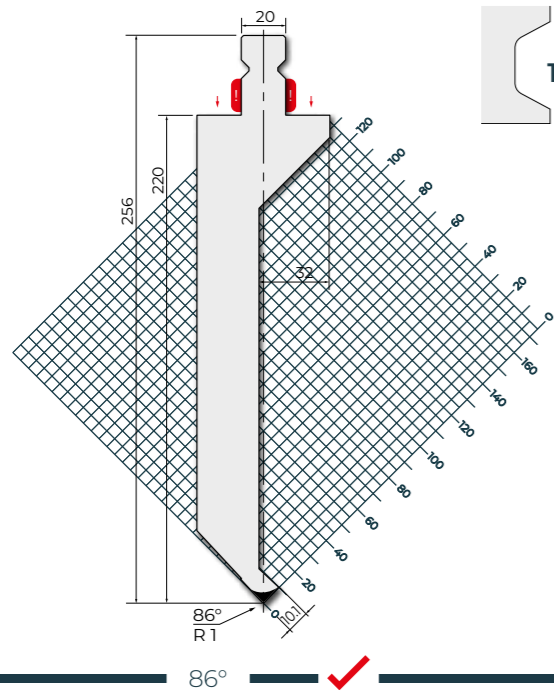




42Cr: 900-1150 N/mm<sup>2</sup> 800 kN/m max.

**TPR256.86.R1-A**

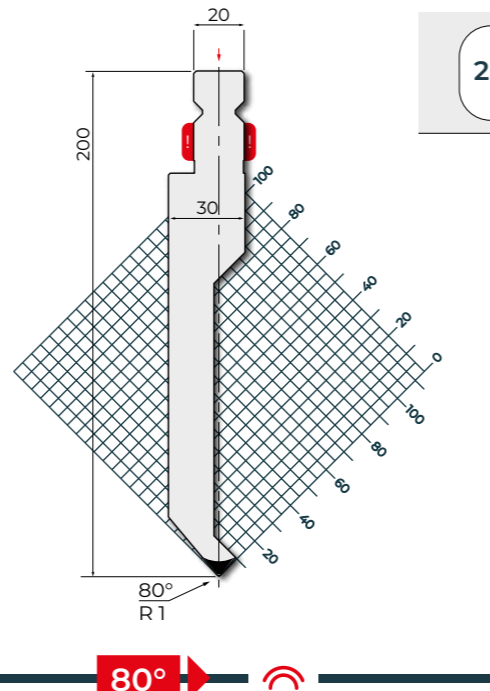
100 mm	☒	4.7 kg
500 mm	€ 583,-	28.5 kg
250 mm	€ 434,-	12.5 kg <b>FC</b>
550 mm	€ 1.376,-	28.5 kg <b>FW</b>



42Cr: 900-1150 N/mm<sup>2</sup> 800 kN/m max.

**TPR200.80.R1**

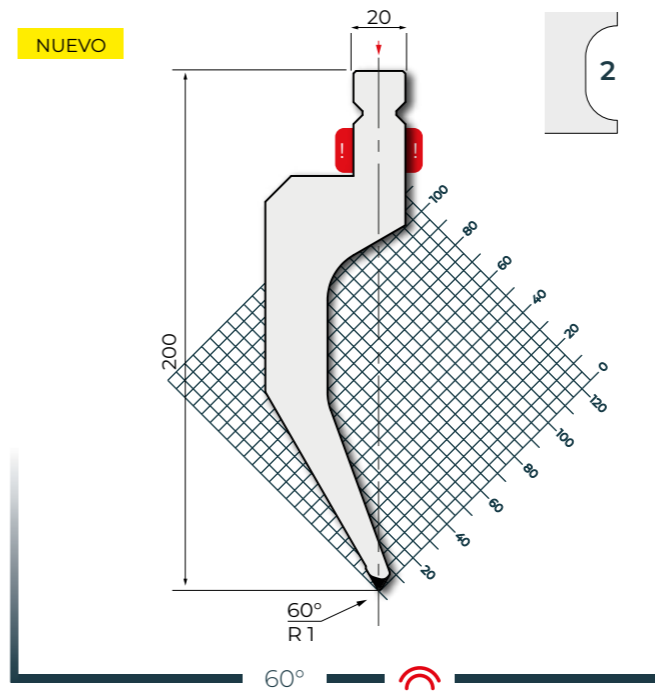
100 mm	☒	3.7 kg
250 mm	€ 299,-	9.2 kg
515 mm	€ 397,-	19.0 kg
550 mm	€ 844,-	21.0 kg <b>FW</b>



42Cr: 900-1150 N/mm<sup>2</sup> 700 kN/m max.

**TPR200.60.R1**

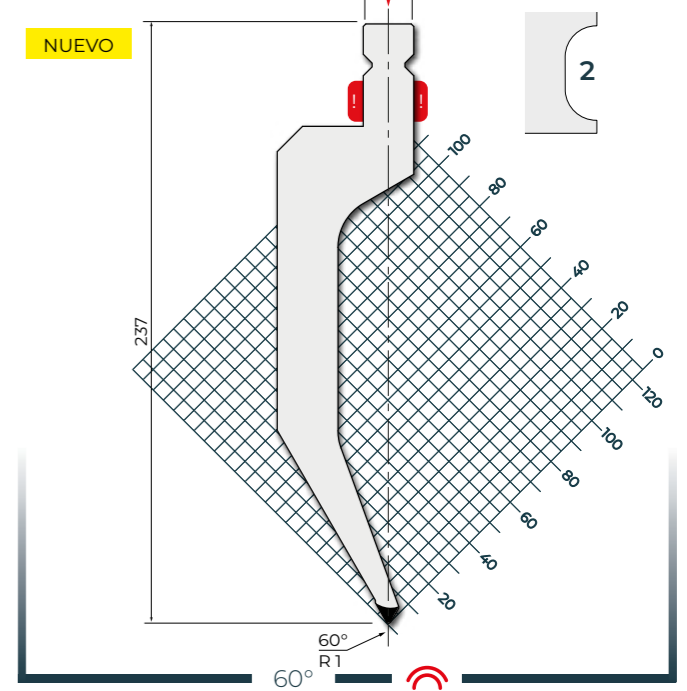
100 mm	☒	3.7 kg
500 mm	€ 352,-	18.3 kg
250 mm	€ 473,-	9.2 kg <b>FC</b>
550 mm	€ 961,-	20.2 kg <b>FW</b>



42Cr: 900-1150 N/mm<sup>2</sup> 700 kN/m max.

**TPR237.60.R1**

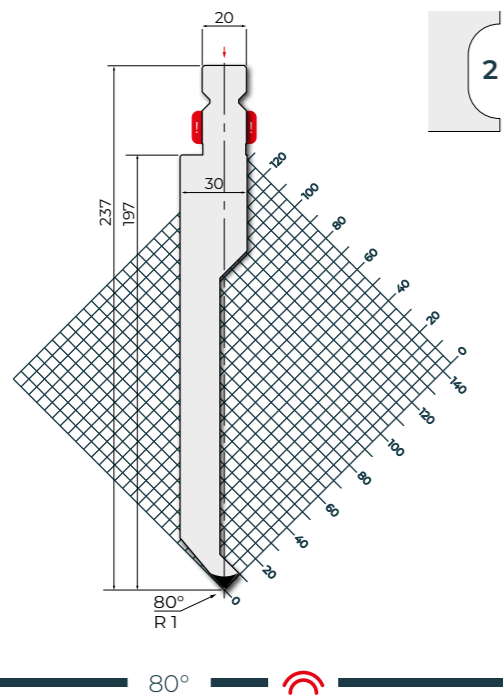
100 mm	☒	4.3 kg
500 mm	€ 458,-	21.6 kg
250 mm	€ 595,-	10.8 kg <b>FC</b>
550 mm	€ 1.106,-	23.8 kg <b>FW</b>



42Cr: 900-1150 N/mm<sup>2</sup> 800 kN/m max.

**TPR237.80.R1**

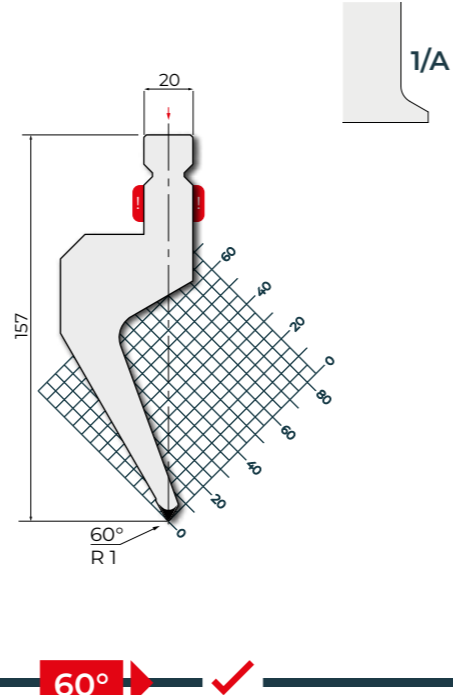
100 mm	☒	3.8 kg
250 mm	€ 341,-	9.6 kg
515 mm	€ 457,-	19.7 kg
550 mm	€ 904,-	21.0 kg <b>FW</b>



42Cr: 900-1150 N/mm<sup>2</sup> 700 kN/m max.

**TPR157.60.R1**

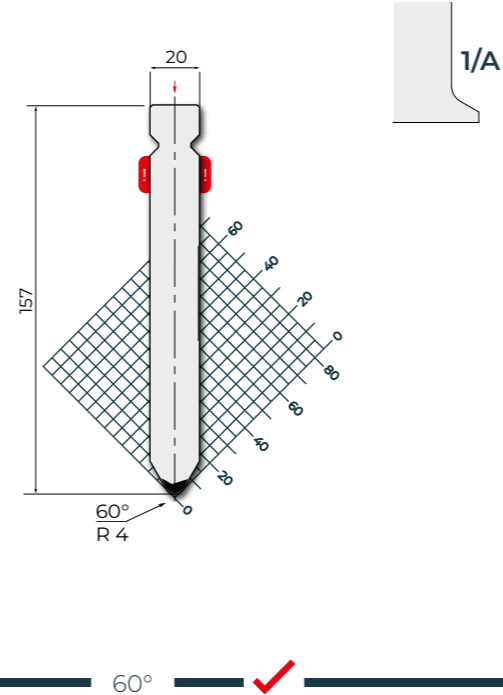
100 mm	☒	3.0 kg
500 mm	€ 307,-	15.0 kg
250 mm	€ 337,-	7.5 kg <b>FC</b>
550 mm	€ 603,-	16.5 kg <b>FW</b>



42Cr: 900-1150 N/mm<sup>2</sup> 1300 kN/m max.

**TPR157.60.R4**

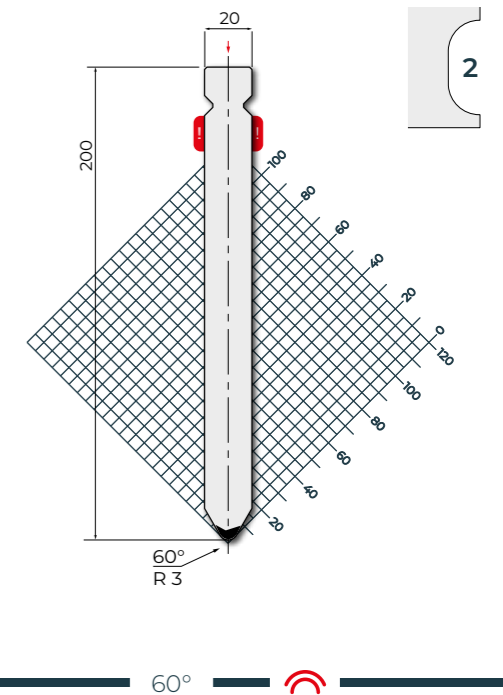
100 mm	☒	2.4 kg
500 mm	€ 202,-	12.0 kg
250 mm	€ 232,-	6.0 kg <b>FC</b>
550 mm	€ 397,-	12.0 kg <b>FW</b>



42Cr: 900-1150 N/mm<sup>2</sup> 1300 kN/m max.

**TPR200.60.R3**

100 mm	☒	3.0 kg
250 mm	€ 242,-	7.6 kg
515 mm	€ 326,-	15.6 kg
550 mm	€ 693,-	16.7 kg <b>FW</b>

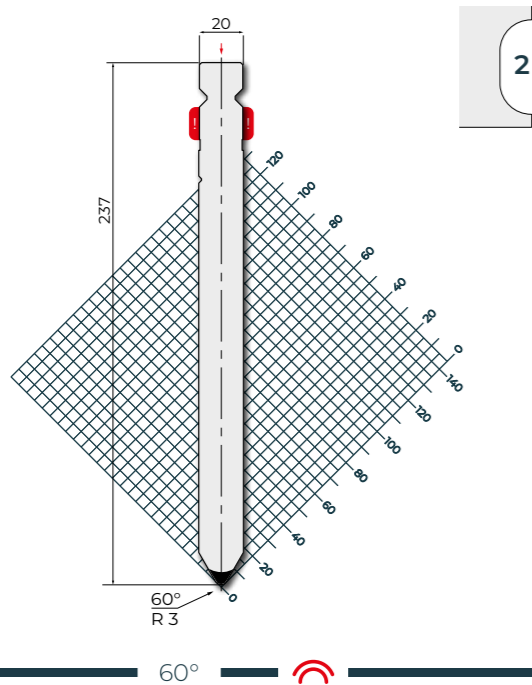






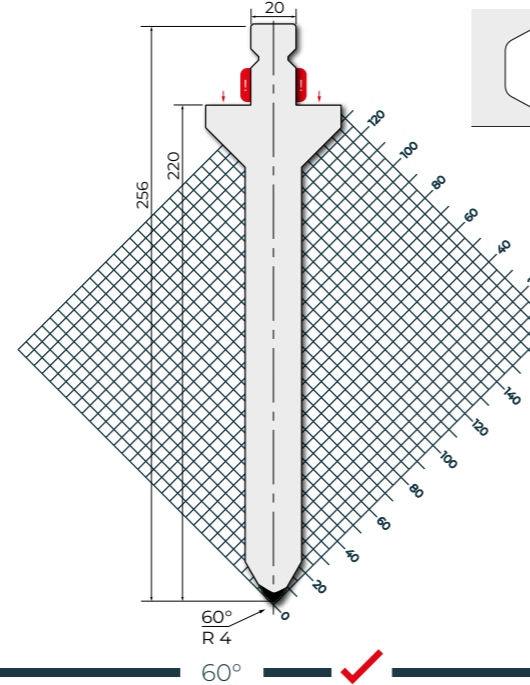
42Cr: 900-1150 N/mm<sup>2</sup> 1300 kN/m max.

TPR237.60.R3		
100 mm	☺	3.6 kg
250 mm	€ 277,-	9.1 kg
515 mm	€ 431,-	18.8 kg
550 mm	€ 891,-	20.1 kg <b>FW</b>



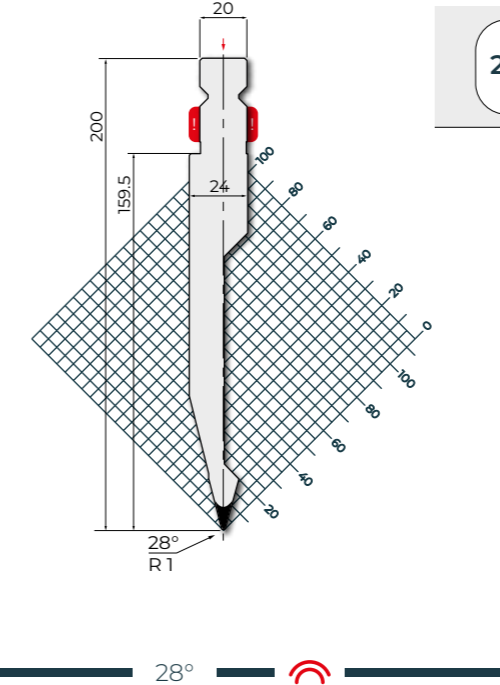
42Cr: 900-1150 N/mm<sup>2</sup> 1300 kN/m max.

TPR256.60.R4		
100 mm	☺	5.2 kg
500 mm	€ 638,-	26.1 kg
250 mm	€ 765,-	13.5 kg <b>FC</b>
550 mm	€ 1.508,-	27.0 kg <b>FW</b>



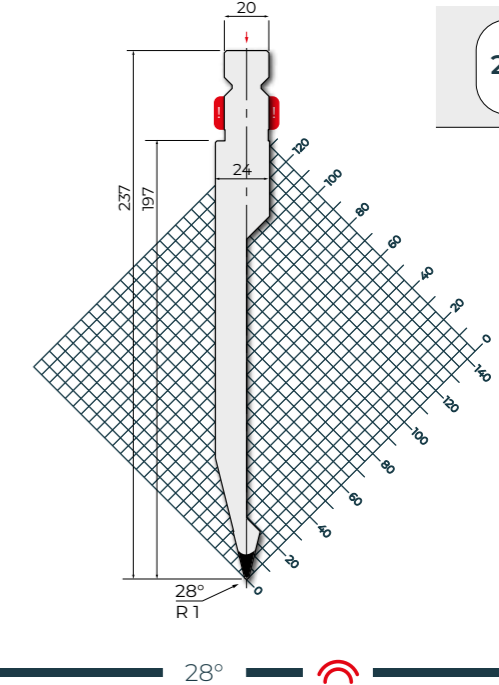
42Cr: 900-1150 N/mm<sup>2</sup> 600 kN/m max.

TPR200.28.R1		
100 mm	☺	2.4 kg
500 mm	€ 263,-	6.1 kg
515 mm	€ 357,-	12.6 kg
550 mm	€ 897,-	13.5 kg <b>FW</b>



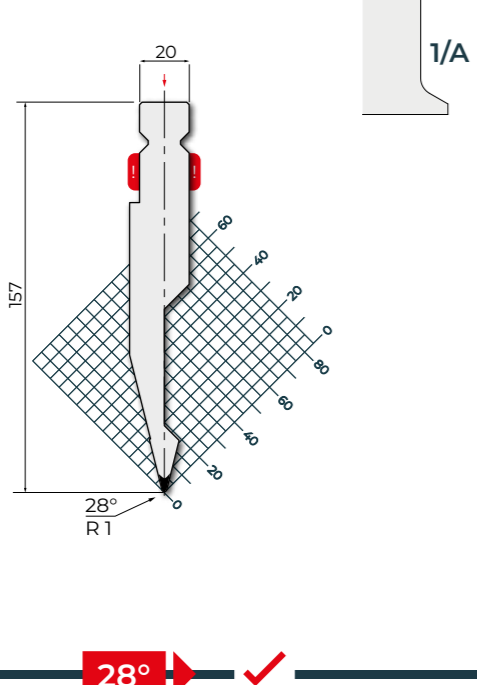
42Cr: 900-1150 N/mm<sup>2</sup> 600 kN/m max.

TPR237.28.R1		
100 mm	☺	2.9 kg
250 mm	€ 368,-	7.3 kg
515 mm	€ 479,-	15.0 kg
550 mm	€ 944,-	16.0 kg <b>FW</b>



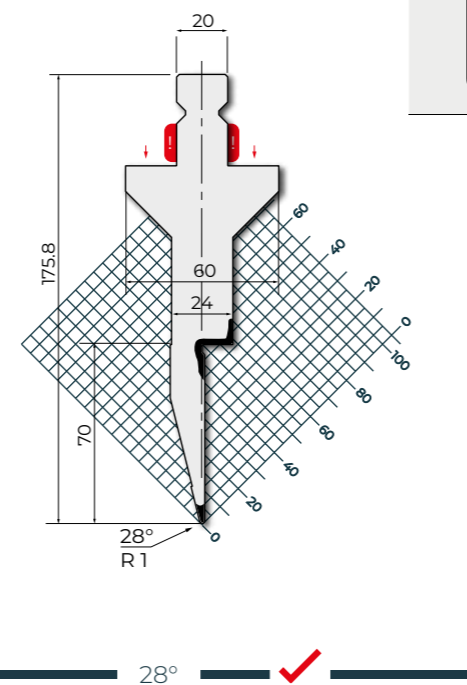
42Cr: 900-1150 N/mm<sup>2</sup> 600 kN/m max.

TPR157.28.R1		
100 mm	☺	2.0 kg
500 mm	€ 234,-	10.0 kg
250 mm	€ 255,-	5.0 kg <b>FC</b>
550 mm	€ 503,-	10.0 kg <b>FW</b>



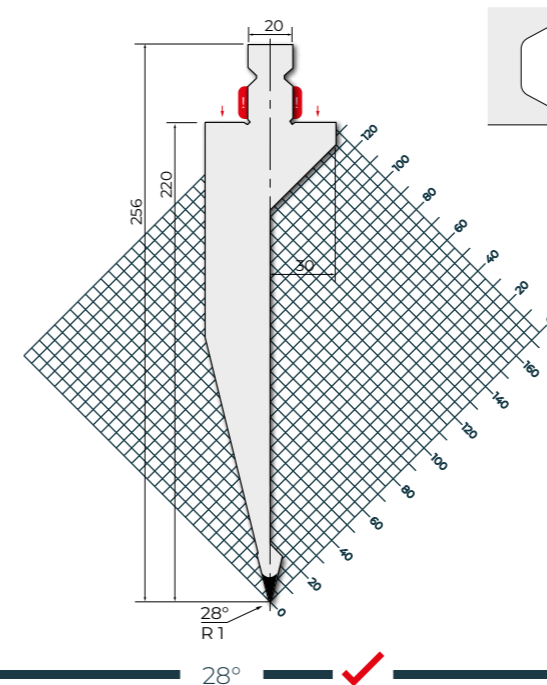
42Cr: 900-1150 N/mm<sup>2</sup> 400 kN/m max.

TPR176.28.R1		
100 mm	☺	3.0 kg
500 mm	€ 434,-	15.0 kg
250 mm	€ 477,-	7.5 kg <b>FC</b>
550 mm	€ 855,-	10.0 kg <b>FW</b>



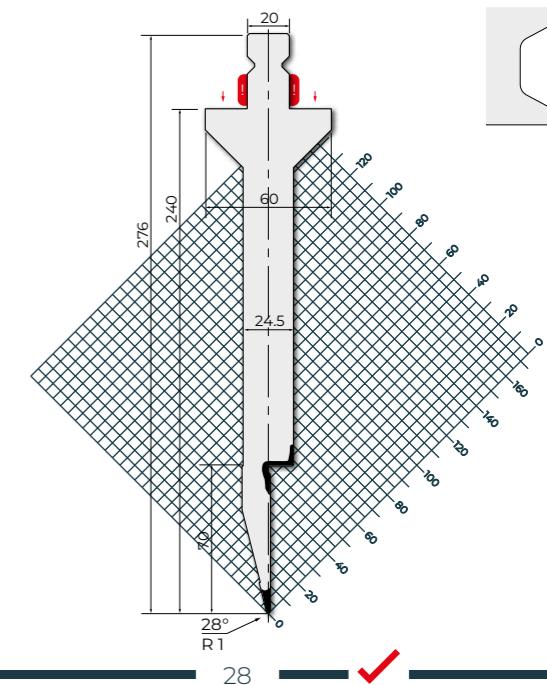
42Cr: 900-1150 N/mm<sup>2</sup> 600 kN/m max.

TPR256.28.R1		
100 mm	☺	5.0 kg
500 mm	€ 599,-	25.0 kg
250 mm	€ 790,-	12.5 kg <b>FC</b>
550 mm	€ 1.413,-	28.0 kg <b>FW</b>



42Cr: 900-1150 N/mm<sup>2</sup> 400 kN/m max.

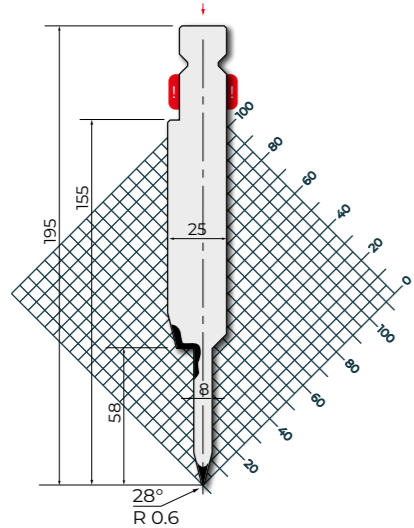
TPR276.28.R1		
100 mm	☺	4.8 kg
500 mm	€ 701,-	24.0 kg
250 mm	€ 841,-	12.0 kg <b>FC</b>
550 mm	€ 1.657,-	26.4 kg <b>FW</b>





42Cr: 900-1150 N/mm<sup>2</sup> 800 kN/m max. - 1000 kN/m max.

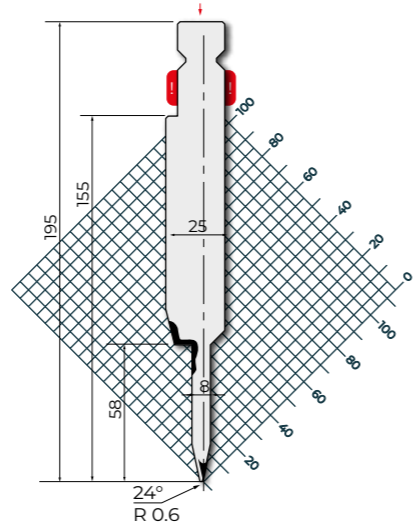
TPR.SP.195.28.8			
100 mm		2.9 kg	
525 mm	€ 623,-	15.1 kg	Para usar con: TPR.SM.195.28.8 (page 142)
495 mm	€ 986,-	8.9 kg	



28°

42Cr: 900-1150 N/mm<sup>2</sup> 800 kN/m max. - 1000 kN/m max.

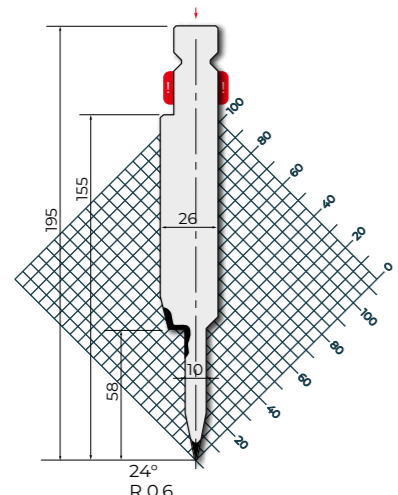
TPR.SP.195.24.8			
100 mm		2.9 kg	
525 mm	€ 623,-	15.0 kg	Para usar con: TPR.SM.195.24.8 (page 142)
495 mm	€ 986,-	8.9 kg	



24°

42Cr: 900-1150 N/mm<sup>2</sup> 800 kN/m max. - 1000 kN/m max.

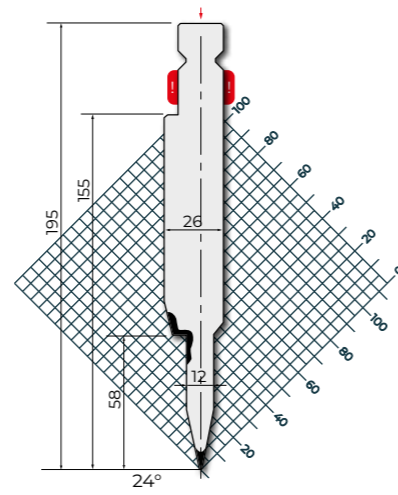
TPR.SP.195.24.10			
100 mm		3.0 kg	
525 mm	€ 623,-	15.5 kg	Para usar con: TPR.SM.195.24.10 (page 142)
495 mm	€ 986,-	9.3 kg	



24°

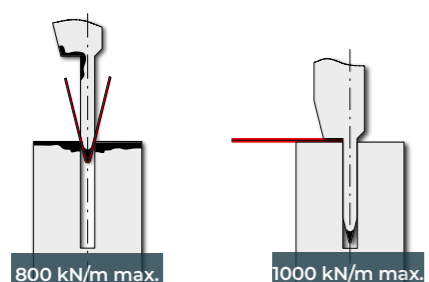
42Cr: 900-1150 N/mm<sup>2</sup> 800 kN/m max. - 1000 kN/m max.

TPR.SP.195.24.12			
100 mm		3.0 kg	
525 mm	€ 623,-	16.0 kg	Para usar con: TPR.SM.195.24.12 (page 142)
495 mm	€ 986,-	9.5 kg	



24°

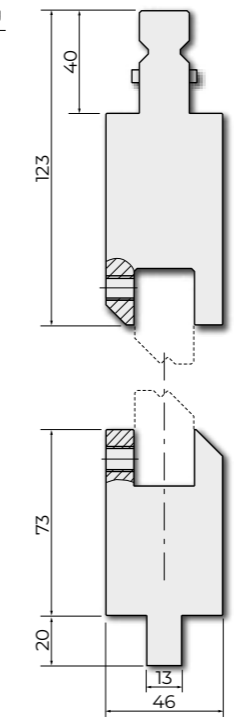
Ejemplo de Uso



S [mm]	A [mm]	R.420 kN/mm <sup>2</sup> kN/m	R.700 kN/mm <sup>2</sup> kN/m	S [mm]	A [mm]	R.420 kN/mm <sup>2</sup> kN/m	R.700 kN/mm <sup>2</sup> kN/m
0.6	3.0	90	150	0.6	1.2	230	350
0.8	3.0	120	200	0.8	1.6	320	500
1.0	3.5	150	250	1.0	1.0	400	600
1.25	3.5	170	260	1.25	2.5	500	800

C45: 560-710 N/mm<sup>2</sup> 1000 kN/m max.

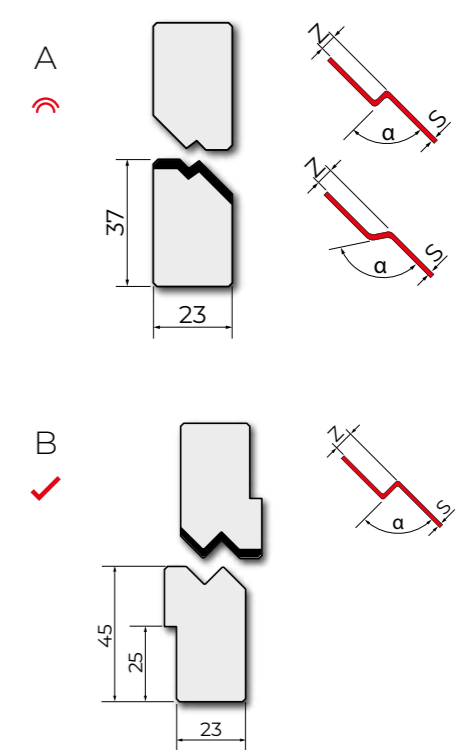
TPZ		
835 mm	€ 935,-	46.7 kg
415 mm	€ 523,-	23.2 kg



C45: 560-710 N/mm<sup>2</sup> 1000 kN/m max.

Útil para plegar						
Z [mm]	α	S* [mm]				
CEZ 1.0	1.0	160°	1.2	€ 379,-	11.0 kg	€ 232,-
CEZ 1.5	1.5	160°	1.5	€ 379,-	11.0 kg	€ 232,-
CEZ 2.0	2.0	150°	1.4	€ 379,-	11.0 kg	€ 232,-
CEZ 2.5	2.5	140°	1.3	€ 379,-	11.0 kg	€ 232,-
CEZ 1.0/90	1.0	90°	0.3	€ 379,-	11.0 kg	€ 232,-
CEZ 1.5/90	1.5	90°	0.3	€ 379,-	11.0 kg	€ 232,-
CEZ 2.0/90	2.0	90°	0.4	€ 379,-	11.0 kg	€ 232,-
CEZ 2.5/90	2.5	90°	0.5	€ 379,-	11.0 kg	€ 232,-
CEZ 3.0	3.0	90°	1.0	€ 379,-	10.3 kg	€ 232,-
CEZ 3.5	3.5	90°	1.0	€ 379,-	10.0 kg	€ 232,-
CEZ 4.0	4.0	90°	1.2	€ 379,-	10.0 kg	€ 232,-
CEZ 4.5	4.5	90°	1.2	€ 379,-	10.0 kg	€ 232,-
CEZ 5.0	5.0	90°	1.3	€ 379,-	10.0 kg	€ 232,-
CEZ 5.5	5.5	90°	1.4	€ 379,-	10.0 kg	€ 232,-
CEZ 6.0	6.0	90°	1.5	€ 379,-	10.0 kg	€ 232,-
CEZ 6.5	6.5	90°	1.5	€ 379,-	10.0 kg	€ 232,-
CEZ 7.0	7.0	90°	1.5	€ 379,-	10.0 kg	€ 232,-
CEZ 7.5	7.5	90°	1.6	€ 379,-	10.0 kg	€ 232,-
CEZ 8.0	8.0	90°	1.6	€ 379,-	10.0 kg	€ 232,-
CEZ 9.0	9	90°	1.8	€ 421,-	13.5 kg	€ 257,-
CEZ 10.0	10	90°	1.8	€ 421,-	13.5 kg	€ 257,-
CEZ 11.0	11	90°	2	€ 421,-	13.5 kg	€ 257,-
CEZ 12.0	12	90°	2	€ 421,-	13.5 kg	€ 257,-
CEZ 13.0	13	90°	2	€ 421,-	13.5 kg	€ 257,-
CEZ 14.0	14	90°	2	€ 421,-	13.5 kg	€ 257,-
CEZ 15.0	15	90°	2.3	€ 421,-	13.5 kg	€ 257,-

\* Fe Rmax = 420 N/mm<sup>2</sup>

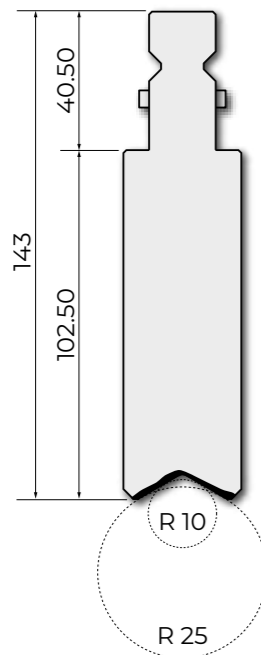


Soportes y útiles para curvar - R2



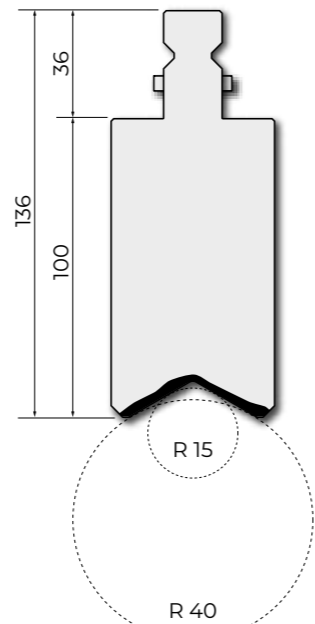
42Cr: 900-1150 N/mm<sup>2</sup> 1000 kN/m max.

TPR143.10		
525 mm	€ 292,-	18.0 kg
495 mm	€ 538,-	17.0 kg <b>F</b>



42Cr: 900-1150 N/mm<sup>2</sup> 1000 kN/m max.

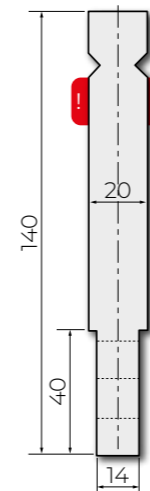
TPR136.15		
525 mm	€ 611,-	25.0 kg
495 mm	€ 1.002,-	23.7 kg <b>F</b>



Soportes y útiles para curvar - R2

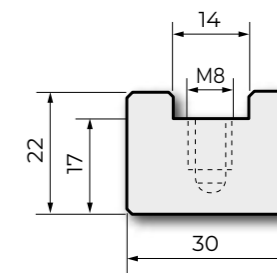
C45: 560-710 N/mm<sup>2</sup> 800 kN/m max.

TPR140-14		
830 mm	€ 294,-	17.0 kg
412 mm	€ 168,-	9.0 kg



C45: 560-710 N/mm<sup>2</sup> 800 kN/m max.

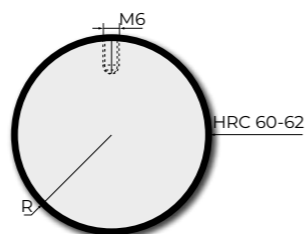
E30.22		
830 mm	€ 93,-	3.5 kg
412 mm	€ 53,-	1.7 kg



C53: 610-760 N/mm<sup>2</sup> 1000 kN/m max.

Útiles para curvar: R10-R40

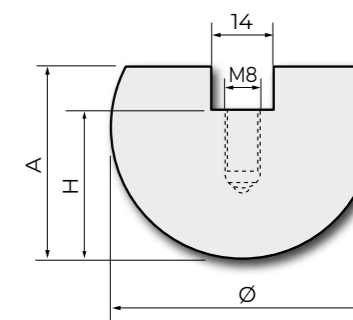
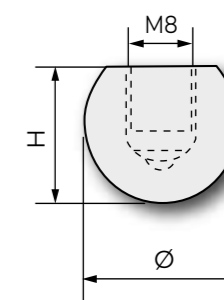
R [mm]	525 mm	495 mm
TOP.C10	€ 44,- 1.3 kg	€ 167,- 2.7 kg
TOP.C12.5	€ 46,- 2.0 kg	€ 225,- 2.8 kg
TOP.C15	€ 53,- 3.0 kg	€ 257,- 3.8 kg
TOP.C17.5	€ 58,- 4.0 kg	€ 265,- 4.7 kg
TOP.C20	€ 65,- 5.2 kg	€ 311,- 6.6 kg
TOP.C22.5	€ 81,- 6.6 kg	€ 363,- 6.6 kg
TOP.C25	€ 97,- 8.1 kg	€ 418,- 7.5 kg
TOP.C27.5	€ 111,- 9.8 kg	€ 477,- 9.2 kg
TOP.C30	€ 126,- 11.7 kg	€ 528,- 11.3 kg
TOP.C32.5	€ 159,- 13.7 kg	€ 593,- 12.9 kg
TOP.C35	€ 191,- 16.0 kg	€ 655,- 15.1 kg
TOP.C37.5	€ 215,- 18.2 kg	€ 688,- 17.2 kg
TOP.C40	€ 246,- 20.7 kg	€ 716,- 19.5 kg



C45: 560-710 N/mm<sup>2</sup> 800 kN/m max.

Útiles para curvar: ø 16 - 100

Ø [mm]	H [mm]	A [mm]	835 mm	415 mm
C13.08	16	13	€ 64,- 2.0 kg	€ 40,- 1.0 kg
C13.09	18	16	€ 64,- 2.0 kg	€ 40,- 1.0 kg
C16.10	20	16	€ 55,- 2.0 kg	€ 33,- 1.0 kg
C17.12	25	17	€ 89,- 2.5 kg	€ 55,- 1.2 kg
C20.15	30	20	€ 79,- 3.7 kg	€ 47,- 1.8 kg
C22.17	35	22	€ 113,- 5.0 kg	€ 64,- 2.4 kg
C24.20	40	24	€ 96,- 7.0 kg	€ 59,- 3.5 kg
C25.22	45	25	€ 100,- 7.5 kg	€ 59,- 3.8 kg
C29.25	50	29	€ 104,- 10.0 kg	€ 60,- 4.7 kg
C34.27	55	34	€ 113,- 12.4 kg	€ 64,- 6.2 kg
C34.30	60	34	€ 126,- 13.5 kg	€ 78,- 6.7 kg
C37.32	65	37	€ 189,- 15.9 kg	€ 100,- 7.9 kg
C45.35	70	45	€ 254,- 20.3 kg	€ 139,- 10.0 kg
C42.37	75	42	€ 273,- 20.5 kg	€ 151,- 10.3 kg
C45.40	80	45	€ 291,- 23.0 kg	€ 156,- 11.5 kg
C60.45	90	60	€ 352,- 34.0 kg	€ 190,- 17.0 kg
C70.50	100	70	€ 371,- 43.5 kg	€ 211,- 21.7 kg










## PUNZONES ROLLERI TIPO R3

### ▼ COMPATIBILIDAD

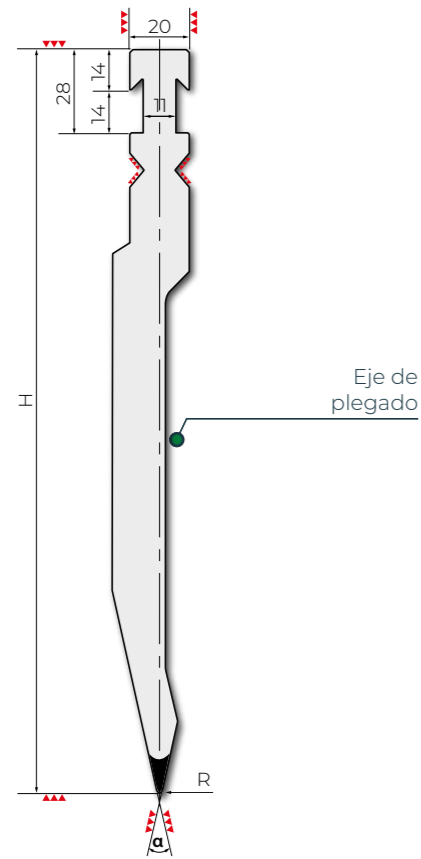
Bystronic Beyeler:  
RFA  
RF  
R  
S

<b>Especificaciones</b>	104 - 105
<b>Punzones</b>	106 - 115
Bystronic-Beyeler  RFA	106 - 108
Punzones para plegado y aplanado Bystronic-Beyeler  RFA	109
Bystronic-Beyeler  RF	110
Bystronic-Beyeler  R	111 - 113
Bystronic-Beyeler  S	114 - 115
Soportes y útiles para plegado en Z	116 - 117
Soportes y útiles para curvar	118 - 121

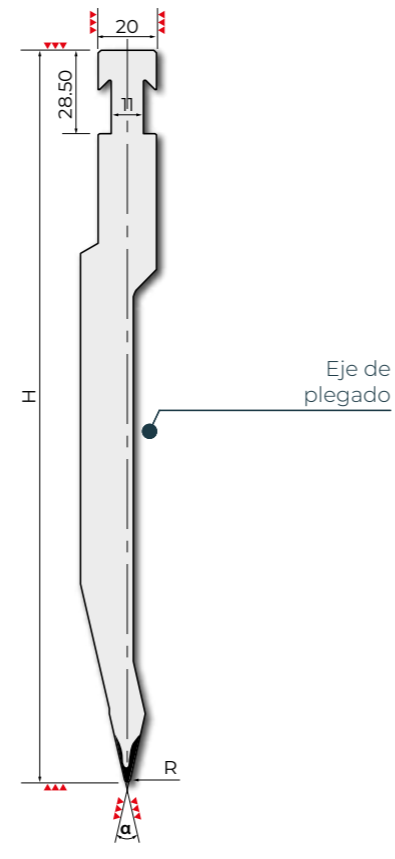


ATAQUE

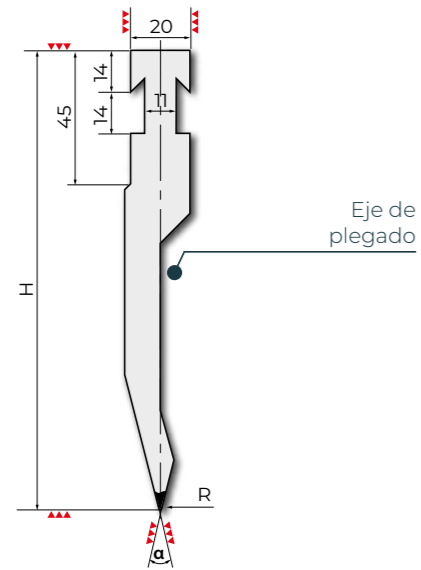
R3 RFA



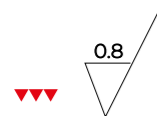
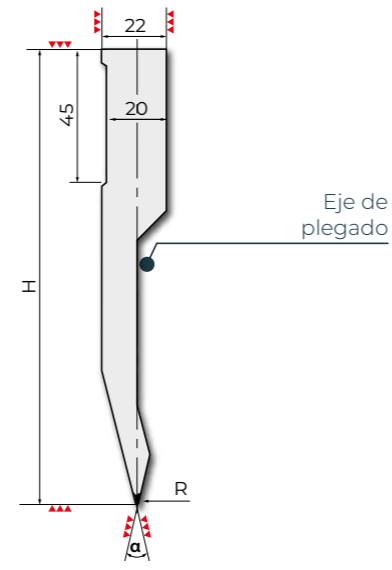
R3 RF



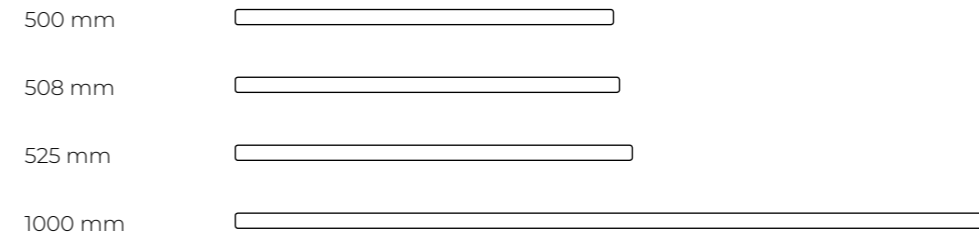
R3 R



R3 S

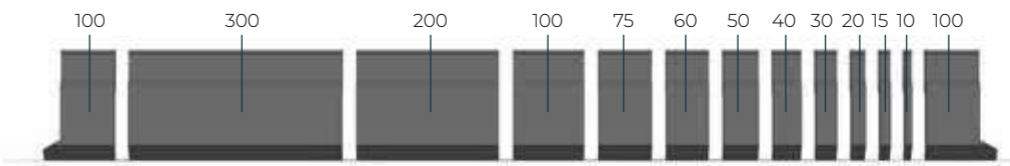


LONGITUD ESTÁNDAR

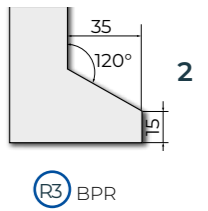
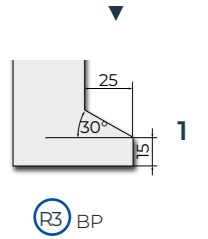


MÓDULOS FRACCIONADOS

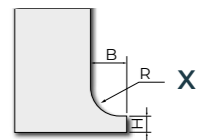
F - Punzones BP: 1100 mm - 13 segmentos



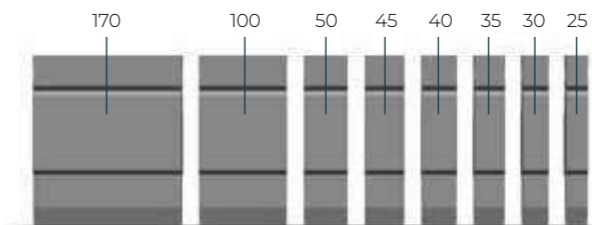
Bigornias



F - Punzones BPR: 1100 mm - 9 segmentos



F: 495 mm - 8 segmentos



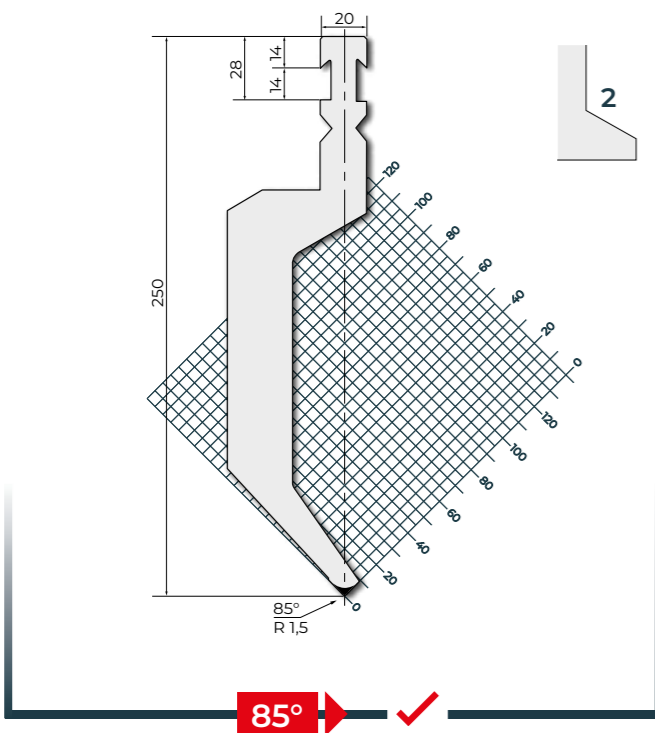




42Cr: 900-1150 N/mm<sup>2</sup> 900 kN/m max.

**BPR250.P4-RFA**

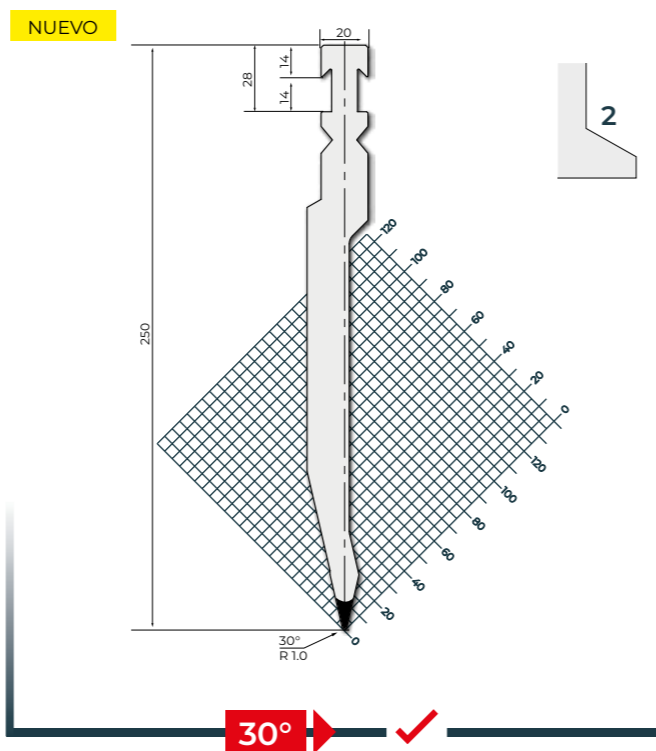
508 mm	€ 909,-	27.4 kg
1100 mm	€ 2.715,-	59.0 kg <b>F</b>



42Cr: 900-1150 N/mm<sup>2</sup> 750 kN/m max.

**BPR250.P5.30-RFA**

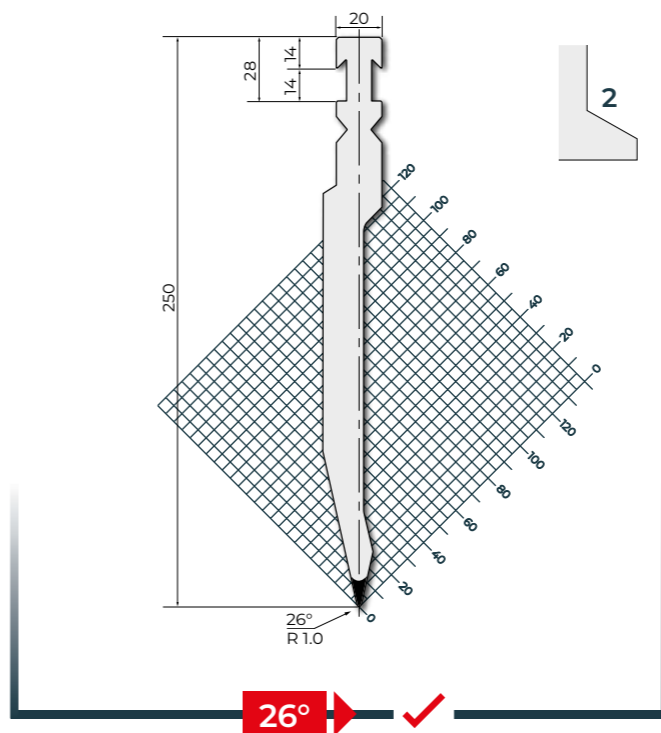
508 mm	€ 490,-	13.2 kg
1100 mm	€ 1.698,-	28.6 kg <b>F</b>



42Cr: 900-1150 N/mm<sup>2</sup> 1000 kN/m max.

**BPR250.P5-RFA**

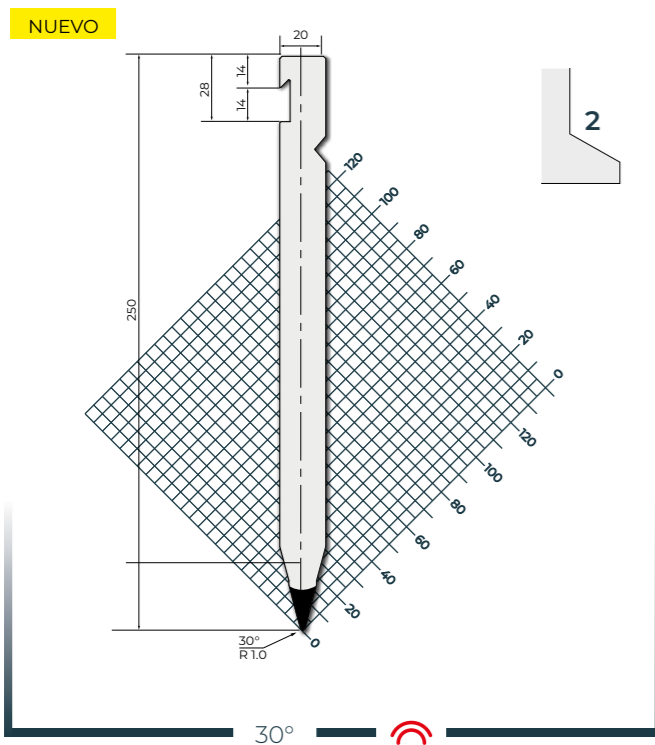
508 mm	€ 490,-	26.0 kg
1100 mm	€ 1.698,-	57.0 kg <b>F</b>



42Cr: 900-1150 N/mm<sup>2</sup> 1400 kN/m max.

**BPR.250.P6-RFA**

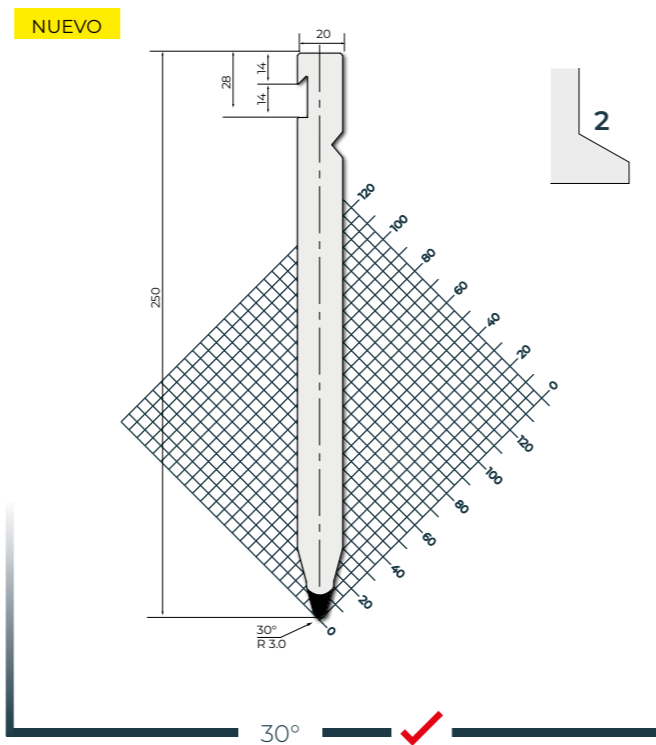
508 mm	€ 425,-	17.8 kg
1100 mm	€ 1.440,-	38.5 kg <b>F</b>



42Cr: 900-1150 N/mm<sup>2</sup> 1400 kN/m max.

**BPR.250.P7-RFA**

508 mm	€ 425,-	18.5 kg
1100 mm	€ 1.440,-	40.1 kg <b>F</b>

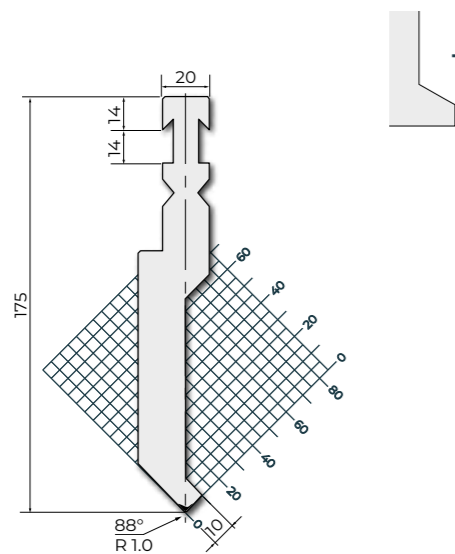


R3

42Cr: 900-1150 N/mm<sup>2</sup> 1000 kN/m max.

**BP175.88.R1-A-RFA**

1000 mm	€ 754,-	23.0 kg
500 mm	€ 429,-	11.5 kg
1100 mm	€ 1.184,-	25.3 kg <b>F</b>

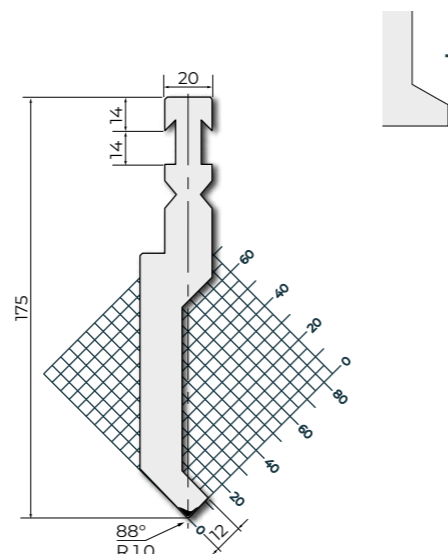


**88°** → ✓

42Cr: 900-1150 N/mm<sup>2</sup> 1000 kN/m max.

**BP175.88.R1-B-RFA**

1000 mm	€ 754,-	23.0 kg
500 mm	€ 429,-	11.5 kg
1100 mm	€ 1.184,-	25.3 kg <b>F</b>

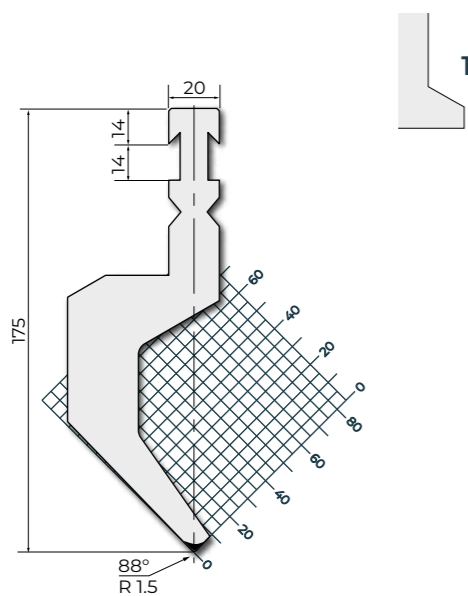


**88°** → ✓

42Cr: 900-1150 N/mm<sup>2</sup> 500 kN/m max.

**BP175.88.R15-RFA**

1000 mm	€ 1.277,-	23.0 kg
500 mm	€ 705,-	11.5 kg
1100 mm	€ 1.960,-	23.0 kg <b>F</b>

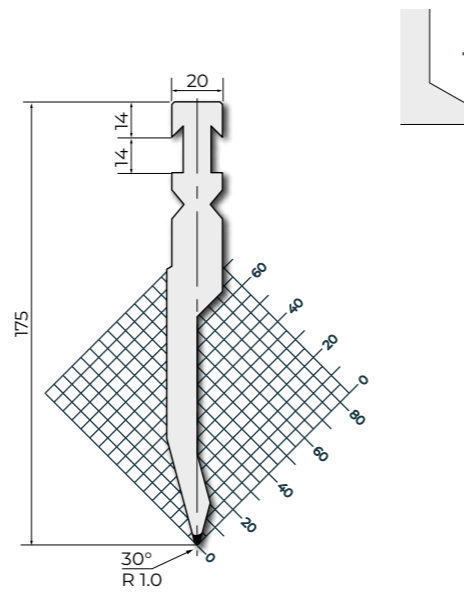


**85°** → ✓

42Cr: 900-1150 N/mm<sup>2</sup> 900 kN/m max.

**BP175.30.R1-RFA**

1000 mm	€ 699,-	16.0 kg
500 mm	€ 399,-	8.0 kg
1100 mm	€ 1.098,-	16.0 kg <b>F</b>



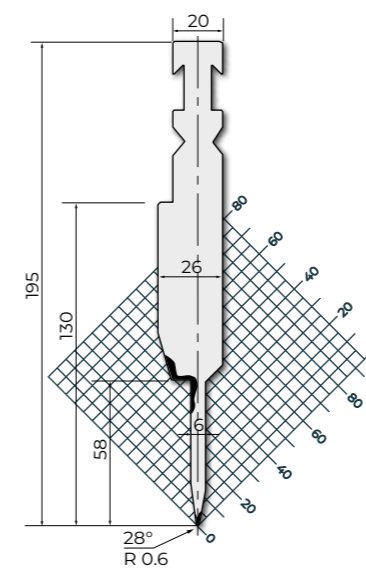
**30°** → ✓



42Cr: 900-1150 N/mm<sup>2</sup> 800 kN/m max. - 1000 kN/m max.

**BPR.SP-195.28.6**

525 mm	€ 642,-	8.7 kg	Para usar con:
495 mm	€ 1.016,-	8.2 kg <b>F</b>	▶ BPR.SM.195.28.6 (pag. 142)

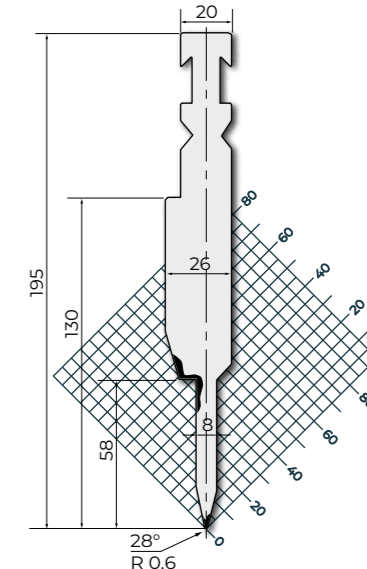


**28°** → ✓

42Cr: 900-1150 N/mm<sup>2</sup> 800 kN/m max. - 1000 kN/m max.

**BPR.SP-195.28.8**

525 mm	€ 642,-	8.7 kg	Para usar con:
495 mm	€ 1.016,-	8.2 kg <b>F</b>	▶ BPR.SM.195.28.8 (pag. 142)

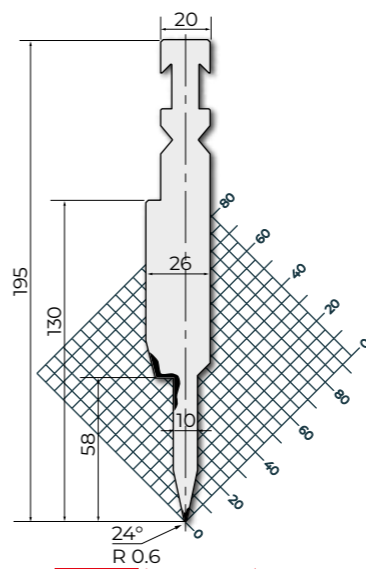


**28°** → ✓

42Cr: 900-1150 N/mm<sup>2</sup> 800 kN/m max. - 1000 kN/m max.

**BPR.SP-195.24.10**

525 mm	€ 642,-	8.7 kg	Para usar con:
495 mm	€ 1.016,-	8.2 kg <b>F</b>	▶ BPR.SM.195.24.10 (pag. 142)

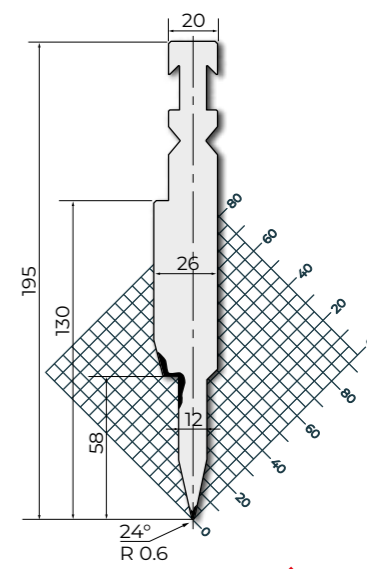


**24°** → ✓

42Cr: 900-1150 N/mm<sup>2</sup> 800 kN/m max. - 1000 kN/m max.

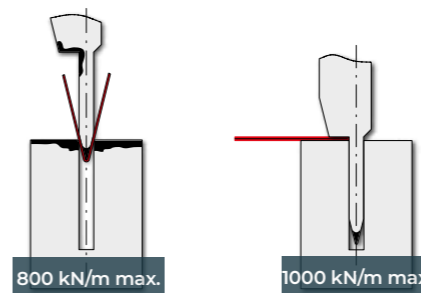
**BPR.SP-195.24.12**

525 mm	€ 642,-	8.7 kg	Para usar con:
495 mm	€ 1.016,-	8.2 kg <b>F</b>	▶ BPR.SM.195.24.12 (pag. 142)



**24°** → ✓

Ejemplo de Uso

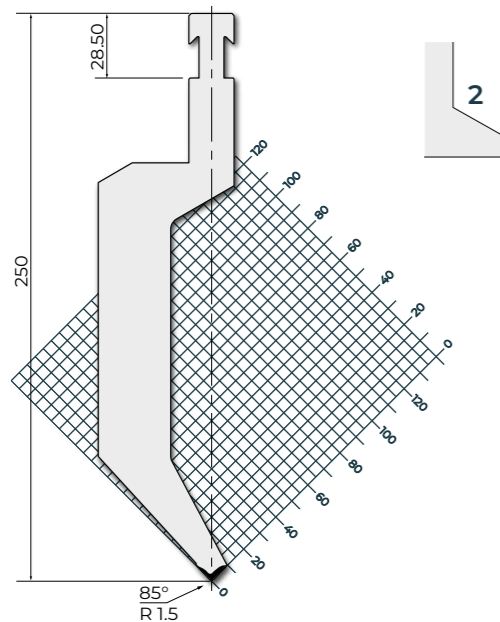


S [mm]	A [mm]	R.420 N/mm <sup>2</sup> kN/m	R.700 N/mm <sup>2</sup> kN/m	S [mm]	A [mm]	R.420 N/mm <sup>2</sup> kN/m	R.700 N/mm <sup>2</sup> kN/m
0.6	3.0	90	150	0.6	1.2	230	350
0.8	3.0	120	200	0.8	1.6	320	500
1.0	3.5	150	250	1.0	1.0	400	600
1.25	3.5	170	260	1.25	2.5	500	800

42Cr: 900-1150 N/mm<sup>2</sup> 1000 kN/m max.

**BPR250.P4-RF**

508 mm	€ 862,-	27.6 kg
1100 mm	€ 2.211,-	51.0 kg <b>F</b>

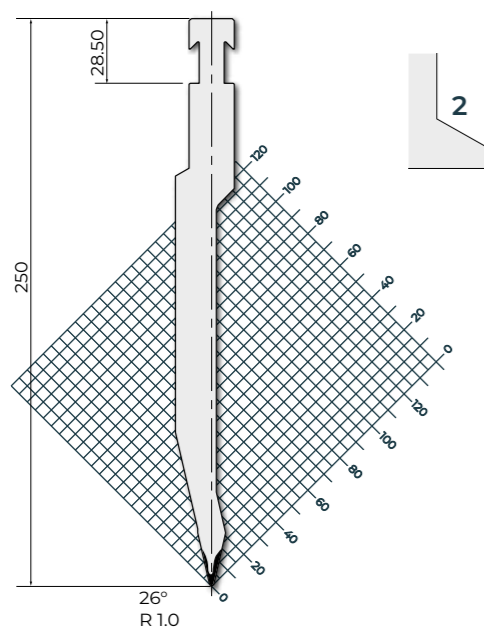


85° ✓

42Cr: 900-1150 N/mm<sup>2</sup> 900 kN/m max.

**BPR250.P5-RF**

508 mm	€ 465,-	16.6 kg
1100 mm	€ 1.613,-	35.0 kg <b>F</b>



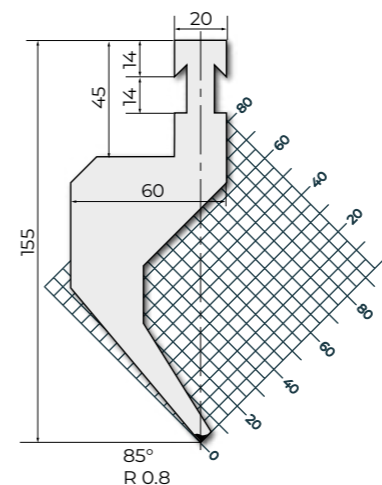
26° ✓



42Cr: 900-1150 N/mm<sup>2</sup> 500 kN/m max.

**BP155.85.R08-R**

1000 mm	€ 1.028,-	22.0 kg
500 mm	€ 531,-	12.5 kg
1100 mm	€ 1.766,-	21.5 kg <b>F</b>

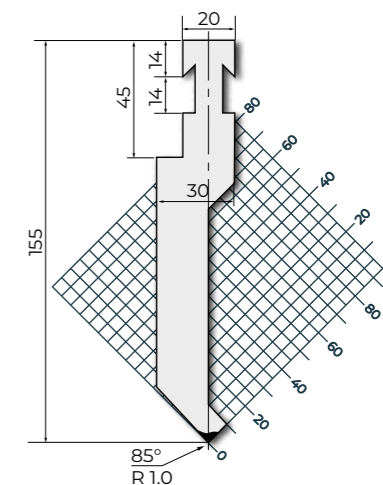


85° (red circle)

42Cr: 900-1150 N/mm<sup>2</sup> 1000 kN/m max.

**BP155.85.R1-R**

1000 mm	€ 529,-	23.0 kg
500 mm	€ 305,-	11.5 kg
1100 mm	€ 1.042,-	23.0 kg <b>F</b>

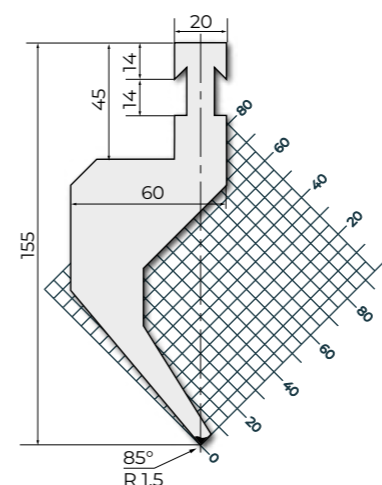


85° (red circle)

42Cr: 900-1150 N/mm<sup>2</sup> 500 kN/m max.

**BP155.85.R15-R**

1000 mm	€ 1.028,-	32.0 kg
500 mm	€ 532,-	16.0 kg
1100 mm	€ 1.768,-	32.0 kg <b>F</b>

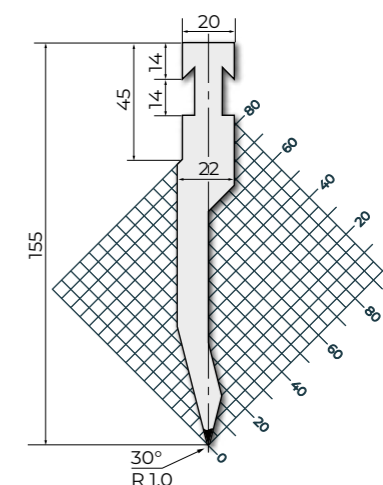


85° ✓

42Cr: 900-1150 N/mm<sup>2</sup> 800 kN/m max.

**BP155.30.R1-R**

1000 mm	€ 446,-	16.0 kg
500 mm	€ 261,-	8.0 kg
1100 mm	€ 888,-	18.0 kg <b>F</b>



30° ✓



42Cr: 900-1150 N/mm<sup>2</sup> 800 kN/m max.

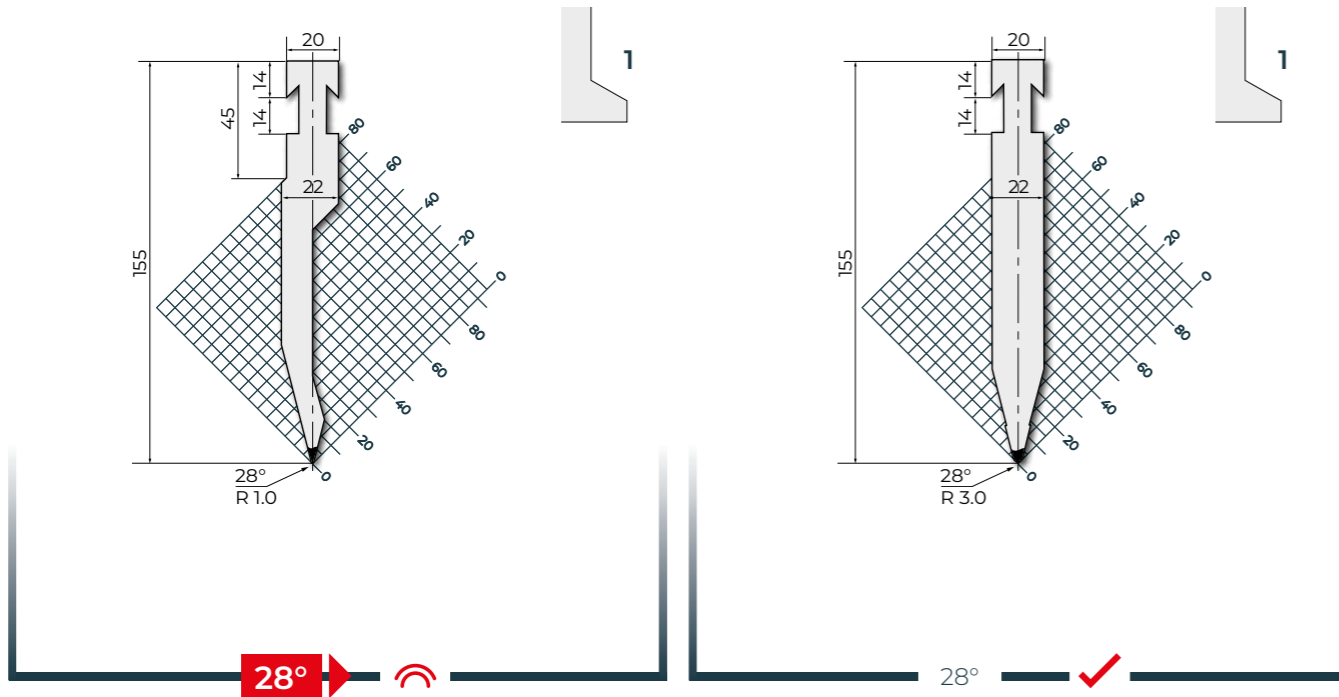
**BP155.28.R1-R**

1000 mm	€ 455,-	16.0 kg
500 mm	€ 261,-	8.0 kg
1100 mm	€ 888,-	17.5 kg <b>F</b>

42Cr: 900-1150 N/mm<sup>2</sup> 1000 kN/m max.

**BP155.28.R3-R**

1000 mm	€ 455,-	21.0 kg
500 mm	€ 261,-	11.0 kg
1100 mm	€ 888,-	23.5 kg <b>F</b>



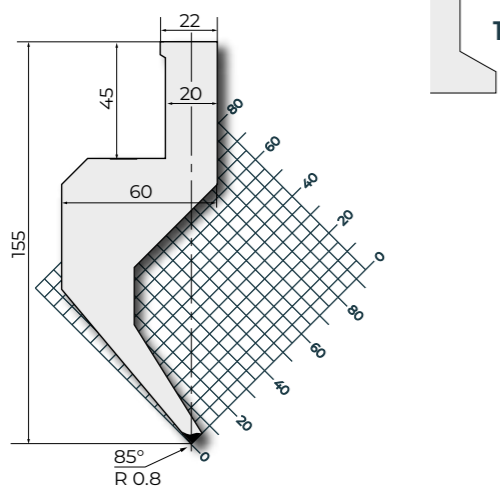
R3





42Cr: 900-1150 N/mm<sup>2</sup> 500 kN/m max.

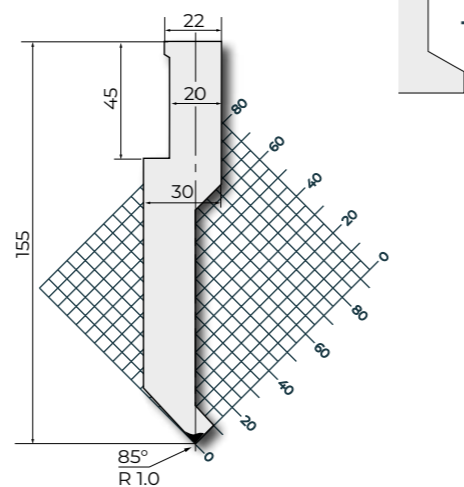
BP155.85.R08-S		
1000 mm		16.0 kg
500 mm		8.0 kg
1100 mm		17.5 kg <b>F</b>



85°

42Cr: 900-1150 N/mm<sup>2</sup> 1000 kN/m max.

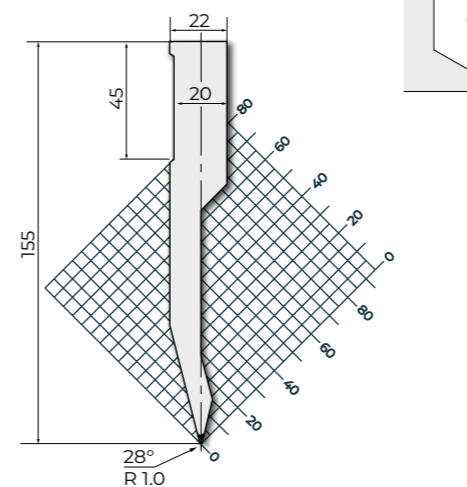
BP155.85.R1-S		
1000 mm		32.0 kg
500 mm		16.0 kg
1100 mm		35.2 kg <b>F</b>



85°

42Cr: 900-1150 N/mm<sup>2</sup> 500 kN/m max.

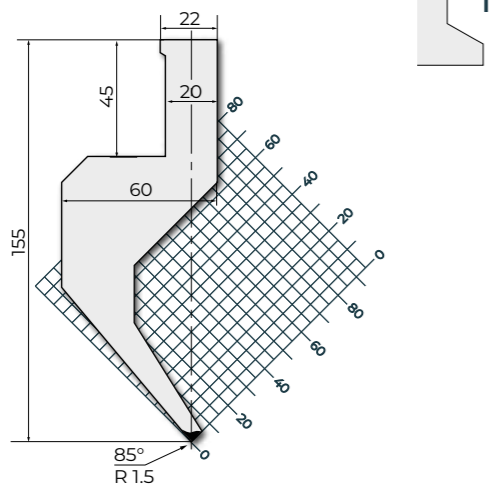
BP155.28.R1-S		
1000 mm		16.0 kg
500 mm		8.0 kg
1100 mm		17.5 kg <b>F</b>



28°

42Cr: 900-1150 N/mm<sup>2</sup> 500 kN/m max.

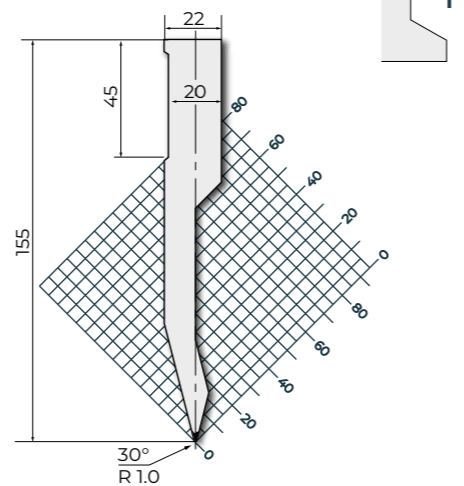
BP155.85.R15-S		
1000 mm		32.0 kg
500 mm		16.5 kg
1100 mm		32.0 kg <b>F</b>



85°

42Cr: 900-1150 N/mm<sup>2</sup> 800 kN/m max.

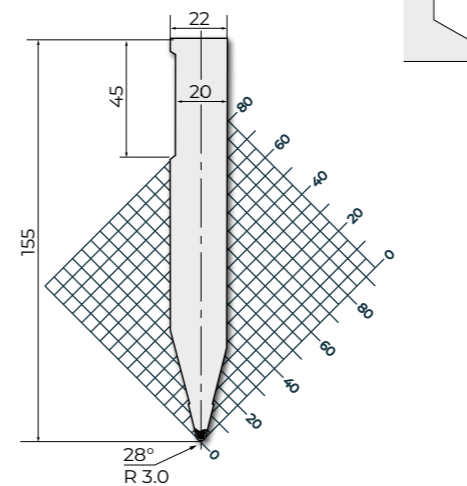
BP155.30.R1-S		
1000 mm		17.5 kg
500 mm		9.0 kg
1100 mm		17.5 kg <b>F</b>



30°

C45: 560-710 N/mm<sup>2</sup> 1000 kN/m max.

BP155.28.R3-S		
1000 mm		23.5 kg
500 mm		12.0 kg
1100 mm		23.5 kg <b>F</b>



28°



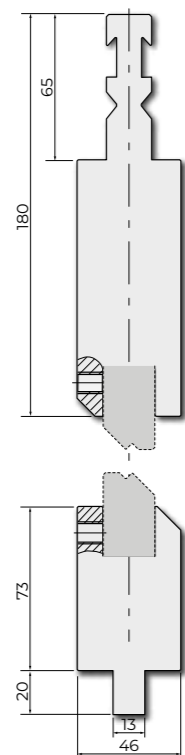




C45: 560-710 N/mm<sup>2</sup> 1000 kN/m max.

**BPZ-RFA**

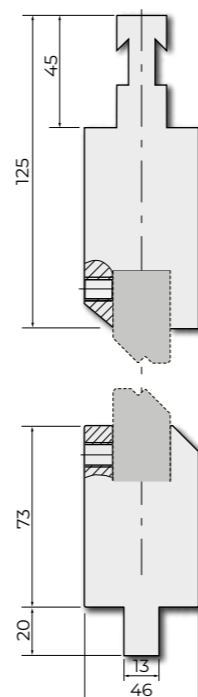
835 mm	€ 876,-	37.5 kg
415 mm	€ 490,-	18.7 kg



C45: 560-710 N/mm<sup>2</sup> 1000 kN/m max.

**BPZ-R**

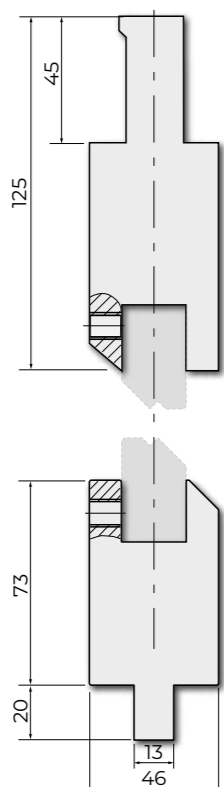
835 mm	€ 704,-	24.7 kg
415 mm	€ 379,-	12.3 kg



C45: 560-710 N/mm<sup>2</sup> 1000 kN/m max.

**BPZ-S**

835 mm	€ 525,-	37.5 kg
415 mm	€ 295,-	18.5 kg



R3

C45: 560-710 N/mm<sup>2</sup>

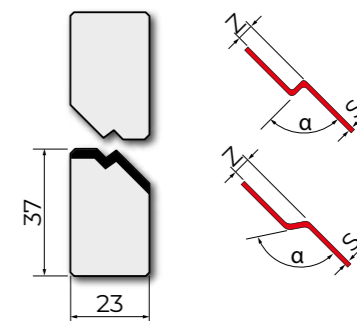
1000 kN/m max.

**Útil para plegar en Z**

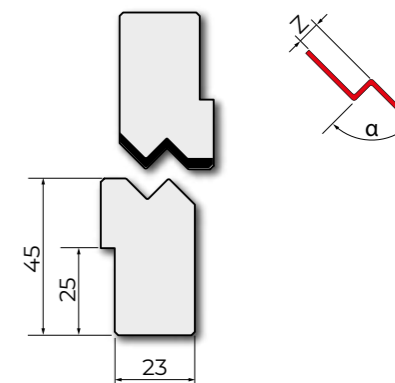
Z [mm]	α	S* [mm]				
CEZ 1.0	1.0	160° 1.2	€ 379,-	11.0 kg	€ 232,-	5.5 kg A
CEZ 1.5	1.5	160° 1.5	€ 379,-	11.0 kg	€ 232,-	5.5 kg A
CEZ 2.0	2.0	150° 1.4	€ 379,-	11.0 kg	€ 232,-	5.5 kg A
CEZ 2.5	2.5	140° 1.3	€ 379,-	11.0 kg	€ 232,-	5.5 kg A
CEZ 1.0/90	1.0	90° 0.3	€ 379,-	11.0 kg	€ 232,-	5.5 kg A
CEZ 1.5/90	1.5	90° 0.3	€ 379,-	11.0 kg	€ 232,-	5.5 kg A
CEZ 2.0/90	2.0	90° 0.4	€ 379,-	11.0 kg	€ 232,-	5.5 kg A
CEZ 2.5/90	2.5	90° 0.5	€ 379,-	11.0 kg	€ 232,-	5.5 kg A
CEZ 3.0	3.0	90° 1.0	€ 379,-	10.3 kg	€ 232,-	5.1 kg A
CEZ 3.5	3.5	90° 1.0	€ 379,-	10.0 kg	€ 232,-	5.0 kg A
CEZ 4.0	4.0	90° 1.2	€ 379,-	10.0 kg	€ 232,-	5.0 kg A
CEZ 4.5	4.5	90° 1.2	€ 379,-	10.0 kg	€ 232,-	5.0 kg A
CEZ 5.0	5.0	90° 1.3	€ 379,-	10.0 kg	€ 232,-	5.0 kg A
CEZ 5.5	5.5	90° 1.4	€ 379,-	10.0 kg	€ 232,-	5.0 kg A
CEZ 6.0	6.0	90° 1.5	€ 379,-	10.0 kg	€ 232,-	5.0 kg A
CEZ 6.5	6.5	90° 1.5	€ 379,-	10.0 kg	€ 232,-	5.0 kg A
CEZ 7.0	7.0	90° 1.5	€ 379,-	10.0 kg	€ 232,-	5.0 kg A
CEZ 7.5	7.5	90° 1.6	€ 379,-	10.0 kg	€ 232,-	5.0 kg A
CEZ 8.0	8.0	90° 1.6	€ 379,-	10.0 kg	€ 232,-	5.0 kg A
CEZ 9.0	9	90° 1.8	€ 421,-	13.5 kg	€ 257,-	6.5 kg B
CEZ 10.0	10	90° 1.8	€ 421,-	13.5 kg	€ 257,-	5.0 kg B
CEZ 11.0	11	90° 2	€ 421,-	13.5 kg	€ 257,-	5.0 kg B
CEZ 12.0	12	90° 2	€ 421,-	13.5 kg	€ 257,-	5.0 kg B
CEZ 13.0	13	90° 2	€ 421,-	13.5 kg	€ 257,-	5.0 kg B
CEZ 14.0	14	90° 2	€ 421,-	13.5 kg	€ 257,-	5.0 kg B
CEZ 15.0	15	90° 2.3	€ 421,-	13.5 kg	€ 257,-	5.0 kg B

\* Fe Rmax = 420 N/mm<sup>2</sup>

A



B

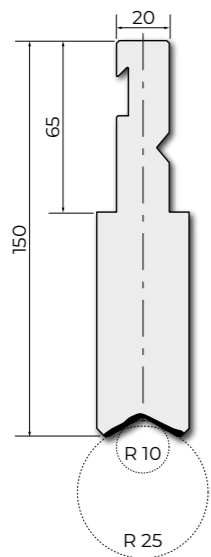




42Cr: 900-1150 N/mm<sup>2</sup> 1000 kN/m max.

**BPR150.P10.10-RFA**

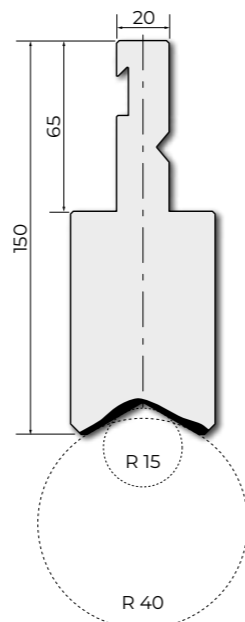
522 mm	€ 452,-	16.5 kg
495 mm	€ 832,-	16.0 kg



42Cr: 900-1150 N/mm<sup>2</sup> 1000 kN/m max.

**BPR150.P10.15-RFA**

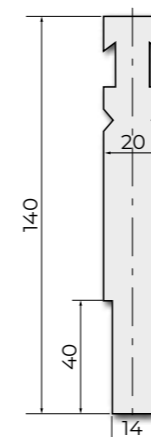
522 mm	€ 630,-	23.0 kg
495 mm	€ 1.032,-	21.7 kg



C45: 560-710 N/mm<sup>2</sup> 800 kN/m max.

**BPU-RFA**

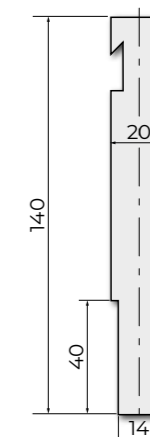
830 mm	€ 319,-	15.3 kg
410 mm	€ 188,-	7.6 kg



C45: 560-710 N/mm<sup>2</sup> 800 kN/m max.

**BPU-R**

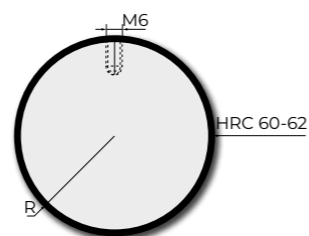
830 mm	€ 249,-	15.8 kg
410 mm	€ 152,-	7.8 kg



C53: 610-760 N/mm<sup>2</sup> 1000 kN/m max.

**Útil para radios: R08-R40**

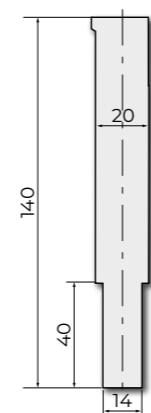
R [mm]	525 mm	495 mm
TOP.C08	€ 40,- 0,8 kg	€ 164,- 1,9 kg
TOP.C10	€ 44,- 1,3 kg	€ 167,- 2,7 kg
TOP.C12.5	€ 46,- 2,0 kg	€ 225,- 2,8 kg
TOP.C15	€ 53,- 3,0 kg	€ 257,- 3,8 kg
TOP.C17.5	€ 58,- 4,0 kg	€ 265,- 4,7 kg
TOP.C20	€ 65,- 5,2 kg	€ 311,- 6,6 kg
TOP.C22.5	€ 77,- 6,6 kg	€ 346,- 6,6 kg
TOP.C25	€ 97,- 8,1 kg	€ 418,- 7,5 kg
TOP.C27.5	€ 111,- 9,8 kg	€ 477,- 9,2 kg
TOP.C30	€ 126,- 11,7 kg	€ 528,- 11,3 kg
TOP.C32.5	€ 159,- 13,7 kg	€ 593,- 12,9 kg
TOP.C35	€ 191,- 16,0 kg	€ 655,- 15,1 kg
TOP.C37.5	€ 215,- 18,2 kg	€ 688,- 17,2 kg
TOP.C40	€ 246,- 20,7 kg	€ 716,- 19,5 kg



C45: 560-710 N/mm<sup>2</sup> 800 kN/m max.

**BPU-S**

830 mm	€ 247,-	16.8 kg
410 mm	€ 150,-	8.3 kg





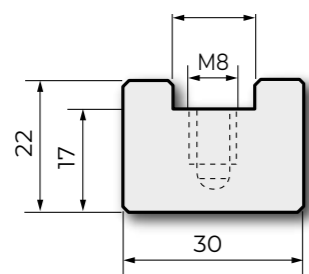
C45: 560-710 N/mm<sup>2</sup>

800 kN/m max.

**E30.22**

830 mm	€ 97,-	3.5 kg
412 mm	€ 55,-	1.7 kg

► Punzones para plegado y aplanado

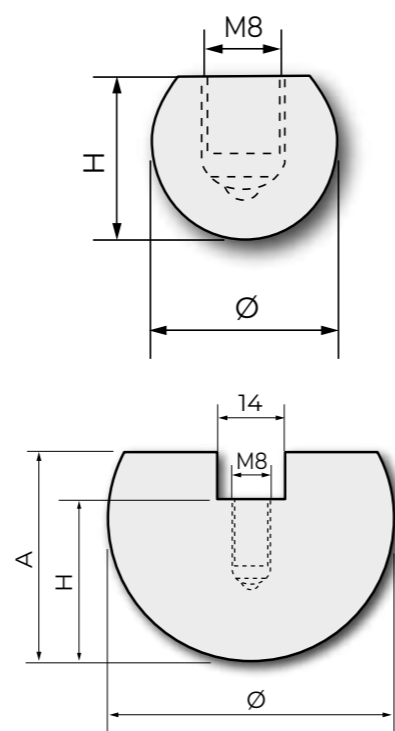


C45: 560-710 N/mm<sup>2</sup>

800 kN/m max.

**Útil para radios: ø 16 - 100**

	ø [mm]	H [mm]	A [mm]				
C13.08	16	13	-	€ 64,-	2.0 kg	€ 40,-	1.0 kg
C13.09	18	16	-	€ 64,-	2.0 kg	€ 40,-	1.0 kg
C16.10	20	16	-	€ 55,-	2.0 kg	€ 33,-	1.0 kg
C17.12	25	17	22	€ 89,-	2.5 kg	€ 55,-	1.2 kg
C20.15	30	20	27	€ 79,-	3.7 kg	€ 47,-	1.8 kg
C22.17	35	22	32	€ 113,-	5.0 kg	€ 64,-	2.4 kg
C24.20	40	24	34	€ 96,-	7.0 kg	€ 59,-	3.5 kg
C25.22	45	25	35	€ 100,-	7.5 kg	€ 59,-	3.8 kg
C29.25	50	29	39	€ 104,-	10.0 kg	€ 60,-	4.7 kg
C34.27	55	34	44	€ 113,-	12.4 kg	€ 64,-	6.2 kg
C34.30	60	34	44	€ 126,-	13.5 kg	€ 78,-	6.7 kg
C37.32	65	37	47	€ 189,-	15.9 kg	€ 100,-	7.9 kg
C45.35	70	45	55	€ 254,-	20.3 kg	€ 139,-	10.0 kg
C42.37	75	42	52	€ 273,-	20.5 kg	€ 151,-	10.3 kg
C45.40	80	45	55	€ 291,-	23.0 kg	€ 156,-	11.5 kg
C60.45	90	60	70	€ 352,-	34.0 kg	€ 190,-	17.0 kg
C70.50	100	70	80	€ 371,-	43.5 kg	€ 211,-	21.7 kg





## MATRICES ROLLERI TIPO R2-R3

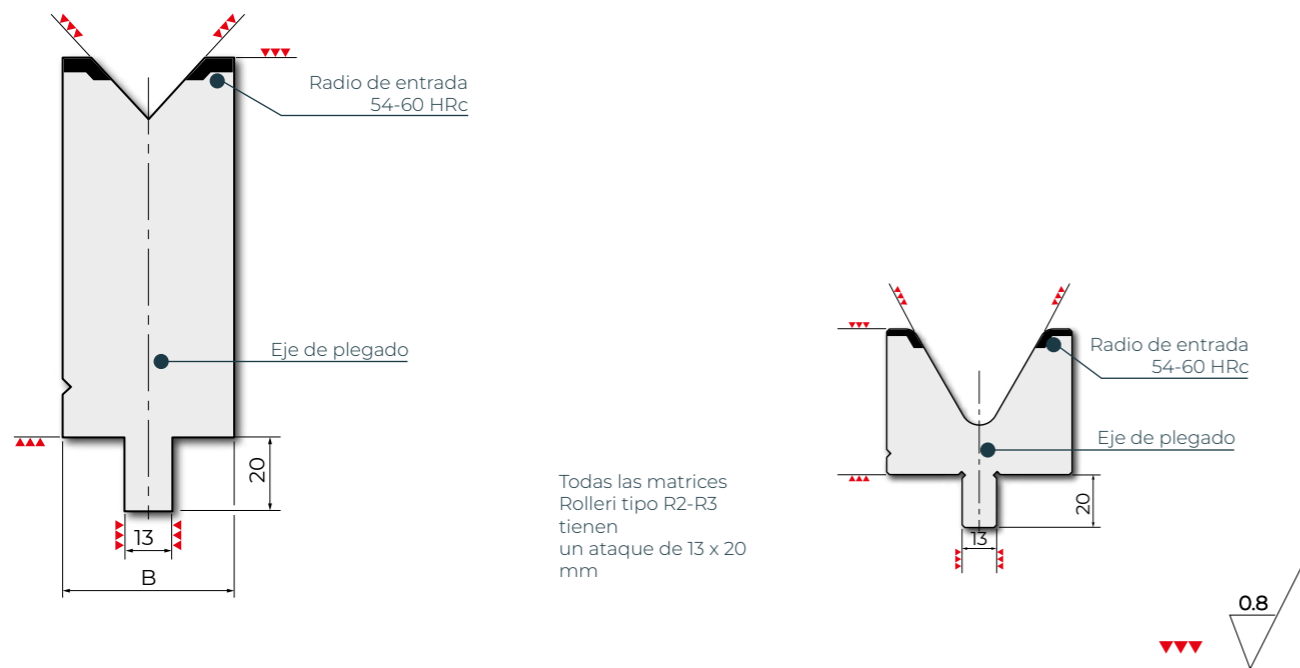
### ▼ COMPATIBILIDAD

Bystronic Beyeler  
 Darley  
 Safan  
 SMD  
 Trumpf  
 Plegadoras con sistema NSCR

<b>Especificaciones</b>	124 - 125
<b>Matrices</b>	126 - 141
90°, H=55 mm	126
88°, H=55 mm	126 - 127
85°, H=55 mm	127 - 128
80°, H=55 mm	128 - 129
60°, H=55 mm	130
30°, H=55 mm	130 - 131
90°, H=100 mm	132
86°, H=100 mm	132 - 133
84°, H=100 mm	133 - 134
80°, H=100 mm	134 - 135
60°, H=120 mm	135
30°, H=100 mm	136 - 137
86°, H=150 mm	138
84°, H=150 mm	138 - 139
80°, H=150 mm	139 - 140
30°, H=150 mm	140 - 141
<b>Matrices para plegado y aplanado</b>	142
<b>Matrices para plegado y aplanado para mesas movibles</b>	143



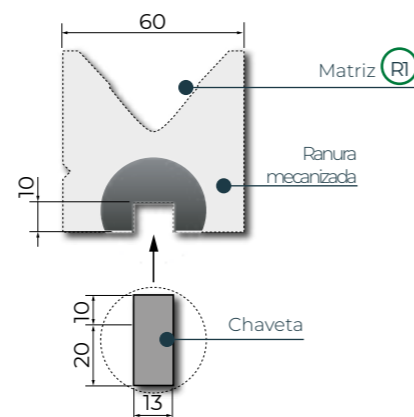
**ATAQUE**



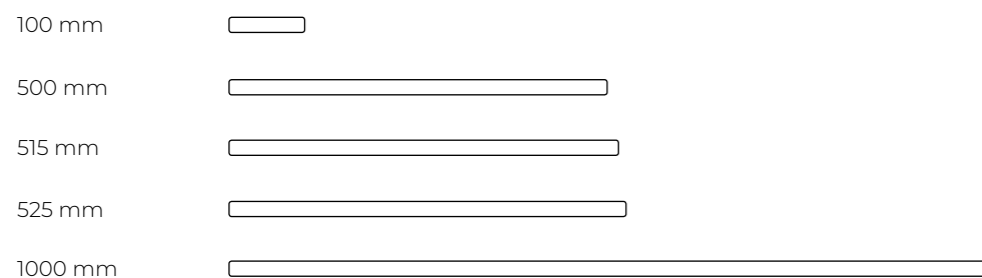
**MODIFICACIÓN CHAVETA**

Para utilizar la matriz Roller tipo **R1** en otras marcas de plegadoras, se realiza una ranura de 10 mm y se coloca una chaveta de 13x30 mm para facilitar el encaje.

**A30 [Ejemplo]**

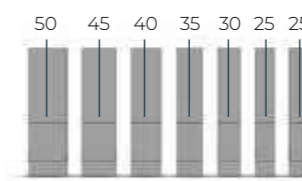


**LONGITUD ESTÁNDAR**

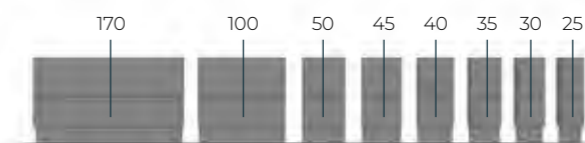


**MÓDULOS FRACCIONADOS**

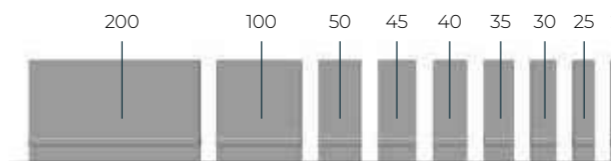
FC: 250 mm - 7 segmentos



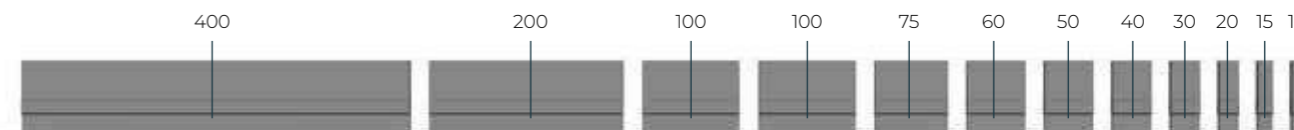
F: 495 mm - 8 segmentos



FW: 550 mm - 9 segmentos



F: 1100 mm - 12 segmentos



FA: 1250-2050-2550-3050-4050 mm

Long. [mm]	25	30	35	40	45	50	100
1250	2	1	1	1	1	1	10
2050	2	1	1	1	1	1	18
2550	2	1	1	1	1	1	23
3050	2	1	1	1	1	1	28
4050	2	1	1	1	1	1	38

Disponible bajo pedido

FB: 1250-2050-2550-3050-4050 mm

Long. [mm]	25	30	35	40	45	50	100	200	300	500
1250	2	1	1	1	1	1	3	2	1	0
2050	2	1	1	1	1	1	3	1	1	2
2550	2	1	1	1	1	1	3	1	1	3
3050	2	1	1	1	1	1	3	1	1	4
4050	2	1	1	1	1	1	3	1	1	6

Disponible bajo pedido





42Cr: 900-1150 N/mm<sup>2</sup> 1150 kN/m max.

**BMR55.06.90**

1000 mm	€ 278,-	8.5 kg
500 mm	€ 148,-	4.2 kg
1100 mm	€ 458,-	8.5 kg <b>F</b>

90° ✓

42Cr: 900-1150 N/mm<sup>2</sup> 1100 kN/m max.

**BMR55.08.90**

1000 mm	€ 278,-	9.0 kg
500 mm	€ 148,-	4.5 kg
1100 mm	€ 458,-	8.5 kg <b>F</b>

90° ✓

42Cr: 900-1150 N/mm<sup>2</sup> 1200 kN/m max.

**BMR55.12.88**

1000 mm	€ 263,-	10.5 kg
500 mm	€ 141,-	5.2 kg
1100 mm	€ 454,-	10.0 kg <b>F</b>

88° ✓

42Cr: 900-1150 N/mm<sup>2</sup> 1200 kN/m max.

**BMR55.16.88**

1000 mm	€ 292,-	14.5 kg
500 mm	€ 148,-	7.2 kg
1100 mm	€ 503,-	14.0 kg <b>F</b>

88° ✓

42Cr: 900-1150 N/mm<sup>2</sup> 1100 kN/m max.

**BMR55.10.90**

1000 mm	€ 263,-	10.5 kg
500 mm	€ 141,-	5.2 kg
1100 mm	€ 503,-	10.0 kg <b>F</b>

90° ✓

42Cr: 900-1150 N/mm<sup>2</sup> 1200 kN/m max.

**BMR55.12.90**

1000 mm	€ 263,-	10.5 kg
500 mm	€ 141,-	5.2 kg
1100 mm	€ 454,-	10.0 kg <b>F</b>

90° ✓

42Cr: 900-1150 N/mm<sup>2</sup> 1100 kN/m max.

**BMR55.20.88**

1000 mm	€ 302,-	14.5 kg
500 mm	€ 153,-	7.2 kg
1100 mm	€ 517,-	14.0 kg <b>F</b>

88° ✓

42Cr: 900-1150 N/mm<sup>2</sup> 1200 kN/m max.

**BMR55.24.88**

1000 mm	€ 351,-	18.5 kg
500 mm	€ 200,-	9.2 kg
1100 mm	€ 575,-	18.0 kg <b>F</b>

88° ✓

42Cr: 900-1150 N/mm<sup>2</sup> 1200 kN/m max.

**BMR55.16.90**

1000 mm	€ 292,-	14.5 kg
500 mm	€ 148,-	7.2 kg
1100 mm	€ 503,-	14.0 kg <b>F</b>

90° ✓

42Cr: 900-1150 N/mm<sup>2</sup> 1150 kN/m max.

**BMR55.06.88**

1000 mm	€ 278,-	8.5 kg
500 mm	€ 148,-	4.2 kg
1100 mm	€ 458,-	8.5 kg <b>F</b>

88° ⚠

42Cr: 900-1150 N/mm<sup>2</sup> 1150 kN/m max.

**BMR55.06.85**

1000 mm	€ 278,-	8.5 kg
500 mm	€ 148,-	4.2 kg
1100 mm	€ 458,-	8.5 kg <b>F</b>

85° ⚠

42Cr: 900-1150 N/mm<sup>2</sup> 1100 kN/m max.

**BMR55.08.85**

1000 mm	€ 278,-	9.0 kg
500 mm	€ 148,-	4.5 kg
1100 mm	€ 458,-	8.5 kg <b>F</b>

85° ✓

42Cr: 900-1150 N/mm<sup>2</sup> 1100 kN/m max.

**BMR55.08.88**

1000 mm	€ 278,-	9.0 kg
500 mm	€ 148,-	4.2 kg
1100 mm	€ 458,-	8.5 kg <b>F</b>

88° ⚠

42Cr: 900-1150 N/mm<sup>2</sup> 1100 kN/m max.

**BMR55.10.88**

1000 mm	€ 263,-	11.0 kg
500 mm	€ 141,-	5.0 kg
1100 mm	€ 454,-	12.0 kg <b>F</b>

88° ✓

42Cr: 900-1150 N/mm<sup>2</sup> 1100 kN/m max.

**BMR55.10.85**

1000 mm	€ 263,-	11.0 kg
500 mm	€ 141,-	5.0 kg
1100 mm	€ 454,-	12.0 kg <b>F</b>

85° ⚠

42Cr: 900-1150 N/mm<sup>2</sup> 1200 kN/m max.

**BMR55.12.85**

1000 mm	€ 263,-	10.5 kg
500 mm	€ 141,-	5.2 kg
1100 mm	€ 454,-	10.0 kg <b>F</b>

85° ⚠



42Cr: 900-1150 N/mm<sup>2</sup> 1200 kN/m max.

**BMR55.16.85**

1000 mm	€ 292,-	14.5 kg
500 mm	€ 148,-	7.2 kg
1100 mm	€ 503,-	14.0 kg <b>F</b>

85°

42Cr: 900-1150 N/mm<sup>2</sup> 1100 kN/m max.

**BMR55.20.85**

1000 mm	€ 302,-	14.5 kg
500 mm	€ 153,-	7.2 kg
1100 mm	€ 517,-	14.0 kg <b>F</b>

85°

42Cr: 900-1150 N/mm<sup>2</sup> 1200 kN/m max.

**BMR55.12.80**

1000 mm	€ 263,-	10.5 kg
500 mm	€ 141,-	5.2 kg
1100 mm	€ 454,-	10.0 kg <b>F</b>

80°

42Cr: 900-1150 N/mm<sup>2</sup> 1200 kN/m max.

**BMR55.16.80**

1000 mm	€ 292,-	14.5 kg
500 mm	€ 148,-	7.2 kg
1100 mm	€ 503,-	14.0 kg <b>F</b>

80°

42Cr: 900-1150 N/mm<sup>2</sup> 1200 kN/m max.

**BMR55.24.85**

1000 mm	€ 351,-	18.5 kg
500 mm	€ 200,-	9.2 kg
1100 mm	€ 575,-	18.0 kg <b>F</b>

85°

42Cr: 900-1150 N/mm<sup>2</sup> 1200 kN/m max.

**BMR55.32.85**

1000 mm	€ 404,-	21.0 kg
500 mm	€ 225,-	10.5 kg
1100 mm	€ 629,-	20.5 kg <b>F</b>

85°

42Cr: 900-1150 N/mm<sup>2</sup> 1100 kN/m max.

**BMR55.20.80**

1000 mm	€ 302,-	14.5 kg
500 mm	€ 153,-	7.2 kg
1100 mm	€ 517,-	14.0 kg <b>F</b>

80°

42Cr: 900-1150 N/mm<sup>2</sup> 1200 kN/m max.

**BMR55.24.80**

1000 mm	€ 351,-	18.5 kg
500 mm	€ 200,-	9.2 kg
1100 mm	€ 575,-	18.0 kg <b>F</b>

80°

42Cr: 900-1150 N/mm<sup>2</sup> 1200 kN/m max.

**BMR55.40.85**

1000 mm	€ 422,-	21.5 kg
500 mm	€ 239,-	10.7 kg
1100 mm	€ 666,-	25.0 kg <b>F</b>

85°

42Cr: 900-1150 N/mm<sup>2</sup> 1150 kN/m max.

**BMR55.06.80**

1000 mm	€ 278,-	8.5 kg
500 mm	€ 148,-	4.2 kg
1100 mm	€ 458,-	8.5 kg <b>F</b>

80°

42Cr: 900-1150 N/mm<sup>2</sup> 1200 kN/m max.

**BMR55.32.80**

1000 mm	€ 404,-	21.0 kg
500 mm	€ 225,-	10.5 kg
1100 mm	€ 629,-	20.5 kg <b>F</b>

80°

42Cr: 900-1150 N/mm<sup>2</sup> 1200 kN/m max.

**BMR55.40.80**

1000 mm	€ 422,-	21.5 kg
500 mm	€ 239,-	10.7 kg
1100 mm	€ 666,-	25.0 kg <b>F</b>

80°

42Cr: 900-1150 N/mm<sup>2</sup> 1100 kN/m max.

**BMR55.08.80**

1000 mm	€ 278,-	9.0 kg
500 mm	€ 148,-	4.5 kg
1100 mm	€ 458,-	8.5 kg <b>F</b>

80°

42Cr: 900-1150 N/mm<sup>2</sup> 1100 kN/m max.

**BMR55.10.80**

1000 mm	€ 263,-	11.0 kg
500 mm	€ 141,-	5.0 kg
1100 mm	€ 454,-	12.0 kg <b>F</b>

80°

42Cr: 900-1150 N/mm<sup>2</sup> 1700 kN/m max.

**BMR65.80.80**

1000 mm	€ 928,-	39.0 kg
500 mm	€ 520,-	20.0 kg
1100 mm	€ 1.456,-	43.0 kg <b>F</b>

80°

42Cr: 900-1150 N/mm<sup>2</sup> 2300 kN/m max.

**BMR85.100.80**

1000 mm	€ 1.098,-	62.0 kg
500 mm	€ 615,-	31.0 kg
1100 mm	€ 1.724,-	69.0 kg <b>F</b>

80°

R2  
R3



42Cr: 900-1150 N/mm<sup>2</sup> 1300 kN/m max.

**BMR55.40.60**

1000 mm	€ 572,-	20.3 kg
500 mm	€ 321,-	10.5 kg
1100 mm	€ 899,-	22.3 kg <b>F</b>

60° ✓

42Cr: 900-1150 N/mm<sup>2</sup> 1200 kN/m max.

**BMR55.50.60**

1000 mm	€ 668,-	24.0 kg
500 mm	€ 375,-	12.0 kg
1100 mm	€ 1.047,-	21.0 kg <b>F</b>

60° ✓

42Cr: 900-1150 N/mm<sup>2</sup> 1100 kN/m max.

**BMR65.60.60**

1000 mm	€ 769,-	31.0 kg
500 mm	€ 431,-	15.5 kg
1100 mm	€ 1.204,-	34.1 kg <b>F</b>

60° ✓



42Cr: 900-1150 N/mm<sup>2</sup> 450 kN/m max.

**BMR55.16.30**

1000 mm	€ 351,-	13.5 kg
500 mm	€ 180,-	6.7 kg
1100 mm	€ 570,-	14.9 kg <b>F</b>

30° ✓

42Cr: 900-1150 N/mm<sup>2</sup> 500 kN/m max.

**BMR55.20.30**

1000 mm	€ 365,-	14.0 kg
500 mm	€ 194,-	7.0 kg
1100 mm	€ 603,-	13.5 kg <b>F</b>

30° ✓

42Cr: 900-1150 N/mm<sup>2</sup> 550 kN/m max.

**BMR55.24.30**

1000 mm	€ 381,-	15.5 kg
500 mm	€ 221,-	7.8 kg
1100 mm	€ 620,-	17.0 kg <b>F</b>

30° ✓

42Cr: 900-1150 N/mm<sup>2</sup> 650 kN/m max.

**BMR60.32.30**

1000 mm	€ 530,-	23.0 kg
500 mm	€ 306,-	11.5 kg
1100 mm	€ 822,-	22.5 kg <b>F</b>

30° ✓

42Cr: 900-1150 N/mm<sup>2</sup> 350 kN/m max.

**BMR55.06.30**

1000 mm	€ 338,-	8.0 kg
500 mm	€ 185,-	4.0 kg
1100 mm	€ 530,-	9.0 kg <b>F</b>

30° ✓

42Cr: 900-1150 N/mm<sup>2</sup> 200 kN/m max.

**BMR55.08.30**

1000 mm	€ 338,-	9.2 kg
500 mm	€ 185,-	4.0 kg
1100 mm	€ 530,-	10.1 kg <b>F</b>

30° ✓

42Cr: 900-1150 N/mm<sup>2</sup> 200 kN/m max.

**BMR70.08.30**

1000 mm	€ 338,-	13.1 kg
500 mm	€ 192,-	6.5 kg
1100 mm	€ 597,-	14.0 kg <b>F</b>

30° ✓

42Cr: 900-1150 N/mm<sup>2</sup> 350 kN/m max.

**BMR70.10.30**

1000 mm	€ 338,-	12.8 kg
500 mm	€ 192,-	6.4 kg
1100 mm	€ 597,-	12.4 kg <b>F</b>

30° ✓

42Cr: 900-1150 N/mm<sup>2</sup> 350 kN/m max.

**BMR55.10.30**

1000 mm	€ 315,-	10.0 kg
500 mm	€ 176,-	5.0 kg
1100 mm	€ 517,-	11.0 kg <b>F</b>

30° ✓

42Cr: 900-1150 N/mm<sup>2</sup> 300 kN/m max.

**BMR55.12.30**

1000 mm	€ 315,-	10.0 kg
500 mm	€ 176,-	5.0 kg
1100 mm	€ 517,-	11.0 kg <b>F</b>

30° ✓

42Cr: 900-1150 N/mm<sup>2</sup> 300 kN/m max.

**BMR70.12.30**

1000 mm	€ 338,-	14.7 kg
500 mm	€ 192,-	7.3 kg
1100 mm	€ 597,-	14.3 kg <b>F</b>

30° ✓

42Cr: 900-1150 N/mm<sup>2</sup> 450 kN/m max.

**BMR70.16.30**

1000 mm	€ 338,-	16.7 kg
500 mm	€ 192,-	8.3 kg
1100 mm	€ 597,-	16.2 kg <b>F</b>

30° ✓



42Cr: 900-1150 N/mm<sup>2</sup> 1200 kN/m max.

**WMR100.12.90**

100 mm	☺	1.7 kg
515 mm	€ 248,-	9.0 kg
550 mm	€ 445,-	9.6 kg <b>FW</b>

90°

42Cr: 900-1150 N/mm<sup>2</sup> 250 kN/m max.

**TMR100.04.86**

100 mm	☺	1.0 kg
500 mm	€ 261,-	4.8 kg
250 mm	€ 261,-	2.4 kg <b>FC</b>
550 mm	€ 513,-	5.2 kg <b>FW</b>

86°

42Cr: 900-1150 N/mm<sup>2</sup> 1200 kN/m max.

**TMR100.16.86**

100 mm	☺	2.5 kg
500 mm	€ 250,-	12.5 kg
250 mm	€ 250,-	6.3 kg <b>FC</b>
550 mm	€ 490,-	13.8 kg <b>FW</b>

86°

42Cr: 900-1150 N/mm<sup>2</sup> 1150 kN/m max.

**TMR100.20.86**

100 mm	☺	2.4 kg
500 mm	€ 271,-	12.2 kg
250 mm	€ 271,-	6.2 kg <b>FC</b>
550 mm	€ 533,-	13.5 kg <b>FW</b>

86°

42Cr: 900-1150 N/mm<sup>2</sup> 1200 kN/m max.

**TMR100.06.86**

100 mm	☺	1.8 kg
500 mm	€ 206,-	8.9 kg
250 mm	€ 206,-	4.4 kg <b>FC</b>
550 mm	€ 403,-	8.9 kg <b>FW</b>

86°

42Cr: 900-1150 N/mm<sup>2</sup> 1150 kN/m max.

**TMR100.08.86**

100 mm	☺	1.8 kg
500 mm	€ 206,-	8.8 kg
250 mm	€ 206,-	4.4 kg <b>FC</b>
550 mm	€ 403,-	9.6 kg <b>FW</b>

86°

42Cr: 900-1150 N/mm<sup>2</sup> 1200 kN/m max.

**TMR100.24.86**

100 mm	☺	2.8 kg
500 mm	€ 274,-	14.0 kg
250 mm	€ 274,-	7.0 kg <b>FC</b>
550 mm	€ 541,-	15.5 kg <b>FW</b>

86°

42Cr: 900-1150 N/mm<sup>2</sup> 1200 kN/m max.

**TMR100.30.86**

100 mm	☺	3.5 kg
500 mm	€ 294,-	17.6 kg
250 mm	€ 294,-	8.8 kg <b>FC</b>
550 mm	€ 578,-	19.4 kg <b>FW</b>

86°

42Cr: 900-1150 N/mm<sup>2</sup> 400 kN/m max.

**WMR100.08.86**

100 mm	☺	1.5 kg
515 mm	€ 224,-	7.7 kg
550 mm	€ 421,-	8.2 kg <b>FW</b>

86°

42Cr: 900-1150 N/mm<sup>2</sup> 1100 kN/m max.

**TMR100.10.86**

100 mm	☺	1.8 kg
500 mm	€ 222,-	8.8 kg
250 mm	€ 222,-	4.4 kg <b>FC</b>
550 mm	€ 436,-	9.6 kg <b>FW</b>

86°

42Cr: 900-1150 N/mm<sup>2</sup> 1200 kN/m max.

**TMR100.40.86**

100 mm	☺	13.1 kg
500 mm	€ 310,-	6.5 kg
250 mm	€ 310,-	14.0 kg <b>FC</b>
550 mm	€ 610,-	22.8 kg <b>FW</b>

86°

42Cr: 900-1150 N/mm<sup>2</sup> 1500 kN/m max.

**TMR100.50.86**

100 mm	☺	4.1 kg
500 mm	€ 315,-	6.4 kg
250 mm	€ 315,-	12.4 kg <b>FC</b>
550 mm	€ 621,-	30.5 kg <b>FW</b>

86°

42Cr: 900-1150 N/mm<sup>2</sup> 1200 kN/m max.

**TMR100.12.86**

100 mm	☺	2.1 kg
500 mm	€ 228,-	10.7 kg
250 mm	€ 228,-	5.0 kg <b>FC</b>
550 mm	€ 446,-	11.7 kg <b>FW</b>

86°

42Cr: 900-1150 N/mm<sup>2</sup> 1200 kN/m max.

**WMR100.12.86**

100 mm	☺	1.7 kg
515 mm	€ 248,-	9.0 kg
550 mm	€ 445,-	9.6 kg <b>FW</b>

86°

42Cr: 900-1150 N/mm<sup>2</sup> 1200 kN/m max.

**TMR100.06.84**

100 mm	☺	1.8 kg
500 mm	€ 206,-	8.8 kg
250 mm	€ 206,-	4.4 kg <b>FC</b>
550 mm	€ 403,-	8.8 kg <b>FW</b>

84°

42Cr: 900-1150 N/mm<sup>2</sup> 1150 kN/m max.

**TMR100.08.84**

100 mm	☺	1.8 kg
500 mm	€ 206,-	8.8 kg
250 mm	€ 206,-	4.4 kg <b>FC</b>
550 mm	€ 403,-	9.7 kg <b>FW</b>

84°

R2  
R3



42Cr: 900-1150 N/mm<sup>2</sup> 1100 kN/m max.

**TMR100.10.84**

100 mm	☒	1.8 kg
500 mm	€ 222,-	8.8 kg
250 mm	€ 222,-	4.4 kg <b>FC</b>
550 mm	€ 436,-	9.6 kg <b>FW</b>

84° ✓

42Cr: 900-1150 N/mm<sup>2</sup> 1200 kN/m max.

**TMR100.12.84**

100 mm	☒	2.1 kg
500 mm	€ 228,-	10.7 kg
250 mm	€ 228,-	5.3 kg <b>FC</b>
550 mm	€ 446,-	11.7 kg <b>FW</b>

84° ✓

42Cr: 900-1150 N/mm<sup>2</sup> 1200 kN/m max.

**TMR100.16.84**

100 mm	☒	2.5 kg
500 mm	€ 250,-	12.5 kg
250 mm	€ 250,-	6.3 kg <b>FC</b>
550 mm	€ 490,-	13.8 kg <b>FW</b>

84° ✓

42Cr: 900-1150 N/mm<sup>2</sup> 1150 kN/m max.

**TMR100.20.84**

100 mm	☒	2.4 kg
500 mm	€ 271,-	12.2 kg
250 mm	€ 271,-	6.1 kg <b>FC</b>
550 mm	€ 533,-	13.4 kg <b>FW</b>

84° ✓

42Cr: 900-1150 N/mm<sup>2</sup> 1200 kN/m max.

**TMR100.24.84**

100 mm	☒	2.8 kg
500 mm	€ 274,-	14.0 kg
250 mm	€ 274,-	7.0 kg <b>FC</b>
550 mm	€ 541,-	15.4 kg <b>FW</b>

84° ✓

42Cr: 900-1150 N/mm<sup>2</sup> 1500 kN/m max.

**TMR100.60.80**

100 mm	☒	5.2 kg
500 mm	€ 440,-	25.8 kg
250 mm	€ 440,-	13.0 kg <b>FC</b>
550 mm	€ 868,-	28.4 kg <b>FW</b>

80° ✓

42Cr: 900-1150 N/mm<sup>2</sup> 1500 kN/m max.

**TMR100.70.80**

100 mm	☒	5.7 kg
500 mm	€ 488,-	28.2 kg
250 mm	€ 488,-	14.1 kg <b>FC</b>
550 mm	€ 961,-	31.0 kg <b>FW</b>

80° ✓

42Cr: 900-1150 N/mm<sup>2</sup> 1500 kN/m max.

**TMR100.80.80**

100 mm	☒	6.5 kg
500 mm	€ 536,-	32.3 kg
250 mm	€ 536,-	16.1 kg <b>FC</b>
550 mm	€ 1.054,-	35.5 kg <b>FW</b>

80° ✓

42Cr: 900-1150 N/mm<sup>2</sup> 1500 kN/m max.

**TMR120.90.80**

100 mm	☒	8.4 kg
500 mm	€ 599,-	42.1 kg
250 mm	€ 599,-	21.0 kg <b>FC</b>
550 mm	€ 1.178,-	46.3 kg <b>FW</b>

80° ✓

42Cr: 900-1150 N/mm<sup>2</sup> 1500 kN/m max.

**TMR120.100.80**

100 mm	☒	9.0 kg
500 mm	€ 629,-	44.7 kg
250 mm	€ 629,-	22.4 kg <b>FC</b>
550 mm	€ 1.240,-	49.2 kg <b>FW</b>

80° ✓

42Cr: 900-1150 N/mm<sup>2</sup> 1600 kN/m max.

**TMR120.120.60**

100 mm	☒	8.9 kg
500 mm	€ 811,-	44.5 kg
250 mm	€ 488,-	22.8 kg <b>FC</b>
550 mm	€ 1.533,-	49.0 kg <b>FW</b>

60° ☒







42Cr: 900-1150 N/mm<sup>2</sup> 150 kN/m max.

**TMR100.04.30**

100 mm	☺	1.4 kg
500 mm	€ 264,-	7.0 kg
250 mm	€ 264,-	3.5 kg <b>FC</b>
550 mm	€ 519,-	7.7 kg <b>FW</b>

30° ☺

42Cr: 900-1150 N/mm<sup>2</sup> 400 kN/m max.

**TMR100.06.30**

100 mm	☺	1.8 kg
500 mm	€ 210,-	8.8 kg
250 mm	€ 210,-	4.4 kg <b>FC</b>
550 mm	€ 414,-	9.6 kg <b>FW</b>

30° ✓

42Cr: 900-1150 N/mm<sup>2</sup> 400 kN/m max.

**WMR100.12.30**

100 mm	☺	1.7 kg
515 mm	€ 273,-	8.9 kg
550 mm	€ 314,-	9.5 kg <b>FW</b>

30° ☺

42Cr: 900-1150 N/mm<sup>2</sup> 500 kN/m max.

**TMR100.16.30**

100 mm	☺	2.4 kg
500 mm	€ 264,-	11.8 kg
250 mm	€ 264,-	6.0 kg <b>FC</b>
550 mm	€ 518,-	13.0 kg <b>FW</b>

30° ✓

42Cr: 900-1150 N/mm<sup>2</sup> 400 kN/m max.

**WMR100.06.30**

100 mm	☺	1.5 kg
515 mm	€ 229,-	7.7 kg
550 mm	€ 426,-	8.2 kg <b>FW</b>

30° ☺

42Cr: 900-1150 N/mm<sup>2</sup> 400 kN/m max.

**TMR100.08.30**

100 mm	☺	2.4 kg
500 mm	€ 210,-	12.2 kg
250 mm	€ 210,-	6.1 kg <b>FC</b>
550 mm	€ 414,-	13.4 kg <b>FW</b>

30° ✓

42Cr: 900-1150 N/mm<sup>2</sup> 600 kN/m max.

**TMR100.20.30**

100 mm	☺	2.6 kg
500 mm	€ 288,-	13.2 kg
250 mm	€ 288,-	6.5 kg <b>FC</b>
550 mm	€ 566,-	15.0 kg <b>FW</b>

30° ✓

42Cr: 900-1150 N/mm<sup>2</sup> 650 kN/m max.

**TMR100.24.30**

100 mm	☺	3.0 kg
500 mm	€ 298,-	14.8 kg
250 mm	€ 298,-	7.4 kg <b>FC</b>
550 mm	€ 588,-	16.2 kg <b>FW</b>

30° ✓

42Cr: 900-1150 N/mm<sup>2</sup> 400 kN/m max.

**WMR100.08.30**

100 mm	☺	2.8 kg
515 mm	€ 229,-	14.0 kg
550 mm	€ 426,-	15.4 kg <b>FW</b>

30° ☺

42Cr: 900-1150 N/mm<sup>2</sup> 400 kN/m max.

**TMR100.10.30**

100 mm	☺	1.7 kg
500 mm	€ 228,-	8.5 kg
250 mm	€ 228,-	4.3 kg <b>FC</b>
550 mm	€ 446,-	9.4 kg <b>FW</b>

30° ✓

42Cr: 900-1150 N/mm<sup>2</sup> 900 kN/m max.

**TMR100.30.30**

100 mm	☺	3.8 kg
500 mm	€ 364,-	19.0 kg
250 mm	€ 364,-	9.5 kg <b>FC</b>
550 mm	€ 655,-	21.0 kg <b>FW</b>

30° ✓

42Cr: 900-1150 N/mm<sup>2</sup> 900 kN/m max.

**TMR100.40.30**

100 mm	☺	3.7 kg
500 mm	€ 456,-	18.3 kg
250 mm	€ 456,-	9.3 kg <b>FC</b>
550 mm	€ 898,-	20.1 kg <b>FW</b>

30° ☺

42Cr: 900-1150 N/mm<sup>2</sup> 400 kN/m max.

**WMR100.10.30**

100 mm	☺	1.7 kg
515 mm	€ 248,-	9.0 kg
550 mm	€ 445,-	9.6 kg <b>FW</b>

30° ☺

42Cr: 900-1150 N/mm<sup>2</sup> 400 kN/m max.

**TMR100.12.30**

100 mm	☺	2.0 kg
500 mm	€ 250,-	10.3 kg
250 mm	€ 250,-	5.1 kg <b>FC</b>
550 mm	€ 490,-	11.3 kg <b>FW</b>

30° ✓



42Cr: 900-1150 N/mm<sup>2</sup> 400 kN/m max.

**TMR150.06.86**

100 mm	☺	2.64 kg	
500 mm	€ 216,-	13.1 kg	
250 mm	€ 216,-	6.6 kg	FC
550 mm	€ 425,-	14.3 kg	FW

86°

42Cr: 900-1150 N/mm<sup>2</sup> 400 kN/m max.

**TMR150.08.86**

100 mm	☺	2.6 kg	
500 mm	€ 224,-	13.1 kg	
250 mm	€ 224,-	6.6 kg	FC
550 mm	€ 441,-	14.4 kg	FW

86°

42Cr: 900-1150 N/mm<sup>2</sup> 400 kN/m max.

**TMR150.08.84**

100 mm	☺	2.6 kg	
500 mm	€ 224,-	13.1 kg	
250 mm	€ 224,-	6.6 kg	FC
550 mm	€ 441,-	14.3 kg	FW

84°

42Cr: 900-1150 N/mm<sup>2</sup> 500 kN/m max.

**TMR150.10.84**

100 mm	☺	2.6 kg	
500 mm	€ 230,-	13.0 kg	
250 mm	€ 230,-	6.5 kg	FC
550 mm	€ 454,-	14.3 kg	FW

84°

42Cr: 900-1150 N/mm<sup>2</sup> 500 kN/m max.

**TMR150.10.86**

100 mm	☺	2.6 kg	
500 mm	€ 230,-	13.0 kg	
250 mm	€ 230,-	6.5 kg	FC
550 mm	€ 454,-	14.3 kg	FW

86°

42Cr: 900-1150 N/mm<sup>2</sup> 500 kN/m max.

**TMR150.12.86**

100 mm	☺	3.1 kg	
500 mm	€ 243,-	15.5 kg	
250 mm	€ 243,-	7.8 kg	FC
550 mm	€ 478,-	17.0 kg	FW

86°

42Cr: 900-1150 N/mm<sup>2</sup> 500 kN/m max.

**TMR150.12.84**

100 mm	☺	3.1 kg	
500 mm	€ 243,-	15.5 kg	
250 mm	€ 243,-	7.8 kg	FC
550 mm	€ 478,-	17.0 kg	FW

84°

42Cr: 900-1150 N/mm<sup>2</sup> 700 kN/m max.

**TMR150.16.84**

100 mm	☺	3.7 kg	
500 mm	€ 271,-	18.4 kg	
250 mm	€ 271,-	9.2 kg	FC
550 mm	€ 533,-	20.2 kg	FW

84°

42Cr: 900-1150 N/mm<sup>2</sup> 700 kN/m max.

**TMR150.16.86**

100 mm	☺	3.7 kg	
500 mm	€ 271,-	18.4 kg	
250 mm	€ 271,-	9.2 kg	FC
550 mm	€ 533,-	20.2 kg	FW

86°

42Cr: 900-1150 N/mm<sup>2</sup> 700 kN/m max.

**TMR150.20.86**

100 mm	☺	3.7 kg	
500 mm	€ 291,-	18.3 kg	
250 mm	€ 291,-	9.1 kg	FC
550 mm	€ 573,-	20.0 kg	FW

86°

42Cr: 900-1150 N/mm<sup>2</sup> 700 kN/m max.

**TMR150.20.84**

100 mm	☺	3.7 kg	
500 mm	€ 291,-	18.3 kg	
250 mm	€ 291,-	9.1 kg	FC
550 mm	€ 573,-	20.0 kg	FW

84°

42Cr: 900-1150 N/mm<sup>2</sup> 700 kN/m max.

**TMR150.24.84**

100 mm	☺	4.2 kg	
500 mm	€ 321,-	20.9 kg	
250 mm	€ 321,-	10.4 kg	FC
550 mm	€ 633,-	22.9 kg	FW

84°

42Cr: 900-1150 N/mm<sup>2</sup> 700 kN/m max.

**TMR150.24.86**

100 mm	☺	4.2 kg	
500 mm	€ 321,-	20.9 kg	
250 mm	€ 321,-	10.5 kg	FC
550 mm	€ 633,-	23.0 kg	FW

86°

42Cr: 900-1150 N/mm<sup>2</sup> 400 kN/m max.

**TMR150.06.84**

100 mm	☺	2.6 kg	
515 mm	€ 216,-	13.1 kg	
250 mm	€ 216,-	6.6 kg	FC
550 mm	€ 425,-	14.3 kg	FW

84°

42Cr: 900-1150 N/mm<sup>2</sup> 700 kN/m max.

**TMR150.24.80**

100 mm	☺	4.2 kg	
500 mm	€ 321,-	20.9 kg	
250 mm	€ 321,-	10.4 kg	FC
550 mm	€ 633,-	22.9 kg	FW

80°

42Cr: 900-1150 N/mm<sup>2</sup> 900 kN/m max.

**TMR150.30.80**

100 mm	☺	5.3 kg	
500 mm	€ 327,-	26.3 kg	
250 mm	€ 327,-	13.1 kg	FC
550 mm	€ 643,-	28.9 kg	FW

80°

R2  
R3



42Cr: 900-1150 N/mm<sup>2</sup> 1200 kN/m max.

**TMR150.40.80**

100 mm	☺	6.3 kg	
500 mm	€ 416,-	31.3 kg	
250 mm	€ 416,-	15.6 kg	FC
550 mm	€ 820,-	34.4 kg	FW

80°

42Cr: 900-1150 N/mm<sup>2</sup> 1500 kN/m max.

**TMR150.50.80**

100 mm	☺	7.3 kg	
500 mm	€ 552,-	36.0 kg	
250 mm	€ 552,-	18.0 kg	FC
550 mm	€ 1.089,-	39.6 kg	FW

80°

42Cr: 900-1150 N/mm<sup>2</sup> 650 kN/m max.

**TMR150.24.30**

100 mm	☺	4.5 kg	
500 mm	€ 335,-	22.3 kg	
250 mm	€ 335,-	11.2 kg	FC
550 mm	€ 659,-	24.5 kg	FW

30°

42Cr: 900-1150 N/mm<sup>2</sup> 900 kN/m max.

**TMR150.30.30**

100 mm	☺	6.0 kg	
500 mm	€ 506,-	30.0 kg	
250 mm	€ 506,-	15.0 kg	FC
550 mm	€ 998,-	33.0 kg	FW

30°

42Cr: 900-1150 N/mm<sup>2</sup> 400 kN/m max.

**TMR150.06.30**

100 mm	☺	2.6 kg	
500 mm	€ 237,-	13.0 kg	
250 mm	€ 237,-	6.5 kg	FC
550 mm	€ 467,-	14.3 kg	FW

30°

42Cr: 900-1150 N/mm<sup>2</sup> 400 kN/m max.

**TMR150.08.30**

100 mm	☺	2.8 kg	
500 mm	€ 237,-	13.0 kg	
250 mm	€ 237,-	6.5 kg	FC
550 mm	€ 467,-	14.3 kg	FW

30°

42Cr: 900-1150 N/mm<sup>2</sup> 900 kN/m max.

**TMR150.40.30**

100 mm	☺	6.0 kg	
500 mm	€ 620,-	30.1 kg	
250 mm	€ 620,-	15.1 kg	FC
550 mm	€ 1.220,-	33.1 kg	FW

30°

42Cr: 900-1150 N/mm<sup>2</sup> 400 kN/m max.

**TMR150.10.30**

100 mm	☺	2.6 kg	
500 mm	€ 256,-	12.8 kg	
250 mm	€ 256,-	6.4 kg	FC
550 mm	€ 504,-	13.9 kg	FW

30°

42Cr: 900-1150 N/mm<sup>2</sup> 400 kN/m max.

**TMR150.12.30**

100 mm	☺	3.0 kg	
500 mm	€ 268,-	15.2 kg	
250 mm	€ 268,-	7.6 kg	FC
550 mm	€ 528,-	16.7 kg	FW

30°

42Cr: 900-1150 N/mm<sup>2</sup> 500 kN/m max.

**TMR150.16.30**

100 mm	☺	3.5 kg	
500 mm	€ 296,-	17.7 kg	
250 mm	€ 296,-	8.9 kg	FC
550 mm	€ 583,-	19.5 kg	FW

30°

42Cr: 900-1150 N/mm<sup>2</sup> 600 kN/m max.

**TMR150.20.30**

100 mm	☺	4.0 kg	
515 mm	€ 326,-	20.1 kg	
250 mm	€ 326,-	10.0 kg	FC
550 mm	€ 642,-	22.0 kg	FW

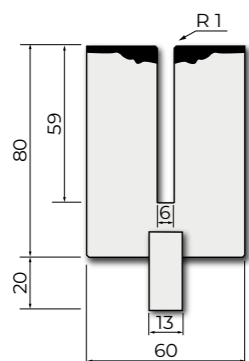
30°



42Cr: 900-1150 N/mm<sup>2</sup> 500 kN/m max. - 1000 kN/m max.

**BPR.SM.195.28.6**

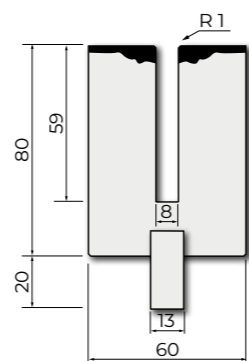
525 mm	€ 427,-	12,0 kg	Para usar con: ▶ BPR.SP.195.28.6 (pág. 109)
495 mm	€ 749,-	11,0 kg	



42Cr: 900-1150 N/mm<sup>2</sup> 500 kN/m max. - 1000 kN/m max.

**BPR.SM.195.28.8 - TPR.SM.195.28.8 - TPR.SM.195.24.8**

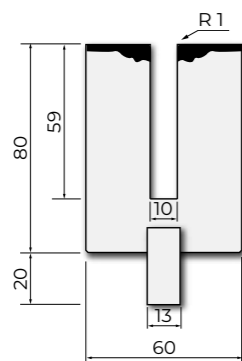
525 mm	€ 427,-	12,0 kg	Para usar con: ▶ BPR.SP.195.28.8 (pág. 109) ▶ TPR.SP.195.28.8 (pág. 98) ▶ TPR.SP.195.24.8 (pág. 98)
495 mm	€ 749,-	11,0 kg	



42Cr: 900-1150 N/mm<sup>2</sup> 500 kN/m max. - 1000 kN/m max.

**BPR.SM.195.24.10 - TPR.SM.195.24.10**

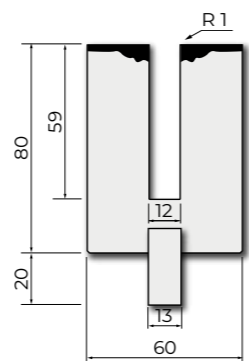
525 mm	€ 427,-	12,0 kg	Para usar con: ▶ BPR.SP.195.24.10 (pág. 109)
495 mm	€ 749,-	11,0 kg	



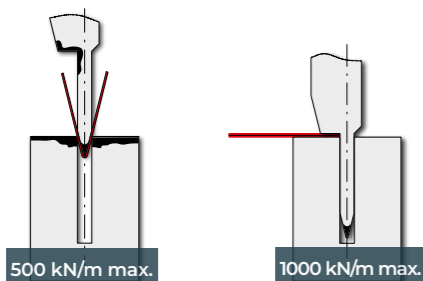
42Cr: 900-1150 N/mm<sup>2</sup> 500 kN/m max. - 1000 kN/m max.

**BPR.SM.195.24.12 - TPR.SM.195.24.12**

525 mm	€ 427,-	12,0 kg	Para usar con: ▶ BPR.SP.195.24.12 (pág. 109)
495 mm	€ 749,-	11,0 kg	



Ejemplo de Uso



S [mm]	A [mm]	R,420 N/mm <sup>2</sup> kN/m	R,700 N/mm <sup>2</sup> kN/m	S [mm]	A [mm]	R,420 N/mm <sup>2</sup> kN/m	R,700 N/mm <sup>2</sup> kN/m
0.6	3.0	90	150	0.6	1.2	230	350
0.8	3.0	120	200	0.8	1.6	320	500
1.0	3.5	150	250	1.0	1.0	400	600
1.25	3.5	170	260	1.25	2.5	500	800

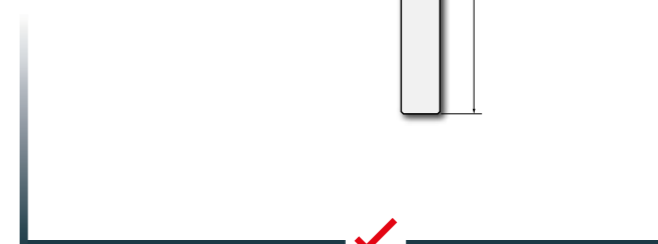


Para plegadoras con mesas móviles

C45: 560-710 N/mm<sup>2</sup> 1300 kN/m max.

**TMI100**

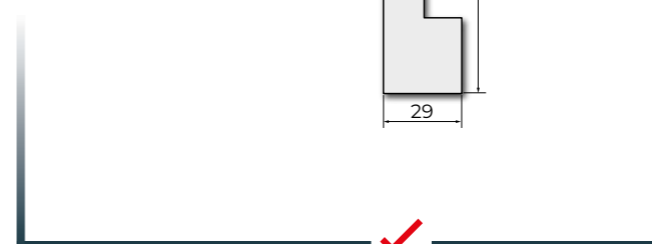
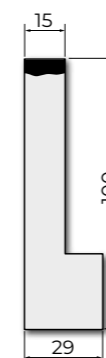
100 mm	€ -	1,0 kg	
500 mm	€ 127,-	5,0 kg	
250 mm	€ 127,-	2,5 kg	FC
550 mm	€ 249,-	5,5 kg	FX



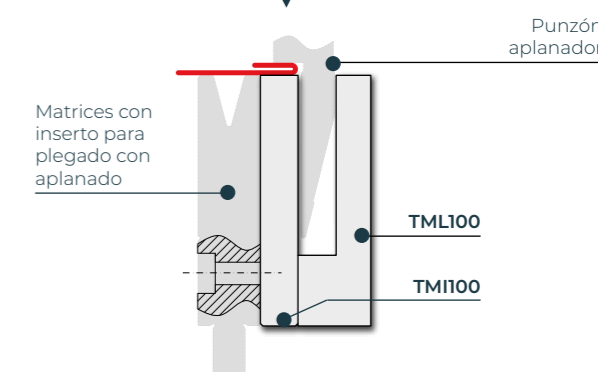
C45: 560-710 N/mm<sup>2</sup> 1200 kN/m max.

**TML100**

100 mm	€ -	1,0 kg	
500 mm	€ 264,-	5,0 kg	
250 mm	€ 264,-	2,5 kg	FC
550 mm	€ 519,-	5,5 kg	FW



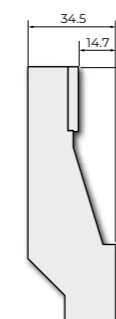
Ejemplo TMI100 + TML100



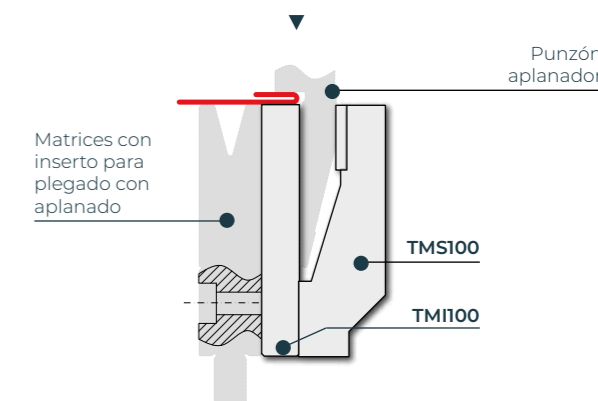
C45: 560-710 N/mm<sup>2</sup> 1300 kN/m max.

**TMS100**

100 mm	€ -	1,0 kg	
500 mm	€ 322,-	5,0 kg	
250 mm	€ 322,-	2,5 kg	FC
550 mm	€ 632,-	5,5 kg	FX



Ejemplo TMI100 + TMS100





## PUNZONES ROLLERI TIPO R4

### ▼ COMPATIBILIDAD

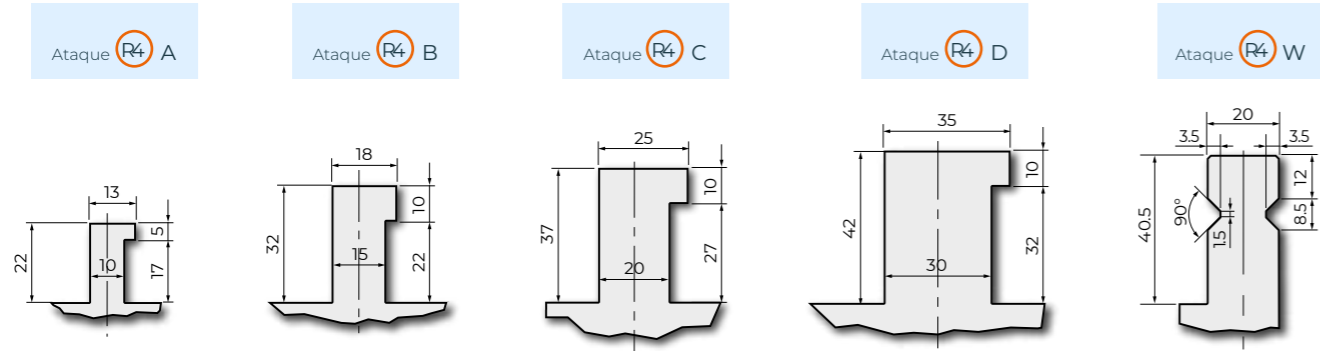
LVD

<b>Especificaciones</b>	146 - 147
<b>R4 Serie CLASSIC</b>	
<b>Punzones</b>	148 - 149
78°	148
26°	149
<b>R4 Serie W</b>	
<b>Punzones</b>	150 - 151
78°	150
26°	151
<b>R4 Serie NEW W</b>	
<b>Punzones</b>	152 - 155
78°	152 - 154
26°	153 - 155
<b>Útiles para plegado y aplanado</b>	156

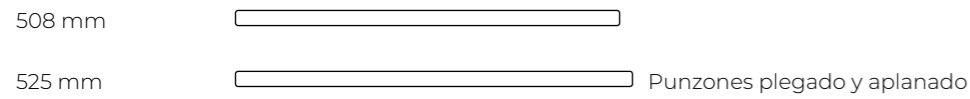




ATAQUE



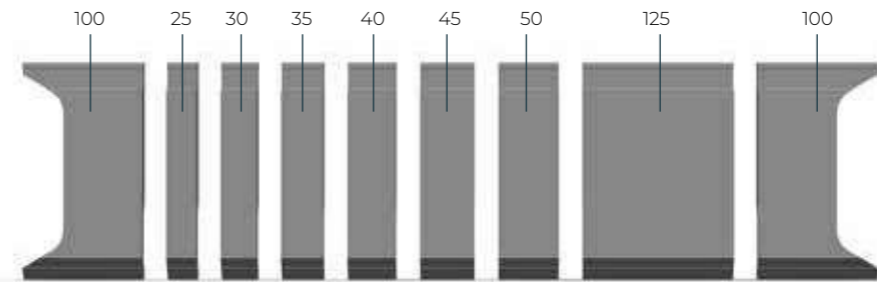
LONGITUD ESTÁNDAR



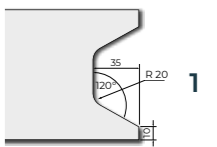
FRACCIONADO

Punzones

550 mm - 9 segmentos



Bigornias

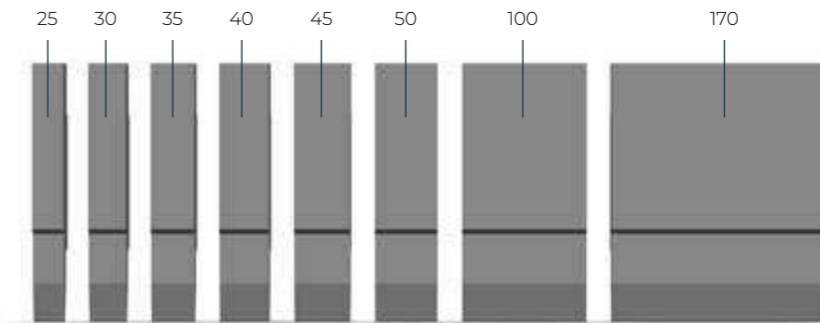


500 mm - 2 segmentos

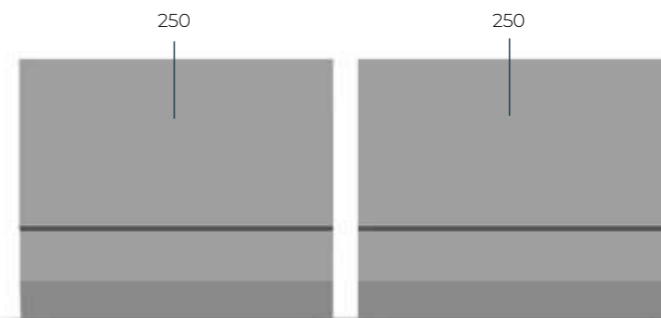


Punzones plegado y aplanado

495 mm - 8 segmentos



500 mm - 2 segmentos





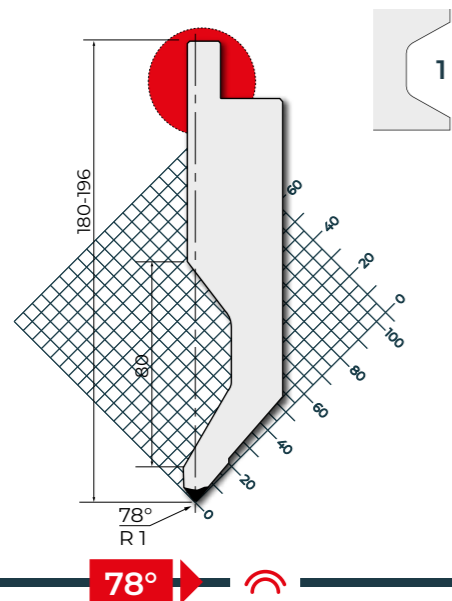
42Cr: 900-1150 N/mm<sup>2</sup> 700 kN/m max.

LP180.78.R1-A			
508 mm	€ 352,-	22.0 kg	
550 mm	€ 680,-	23.8 kg	F
2x250 mm	€ 385,-	21.7 kg	FC

Serie CLASSIC  
Ataque A: LPA180.78.R1-A  
Ataque B: LPB180.78.R1-A  
Ataque C: LPC180.78.R1-A  
Ataque D: LPD180.78.R1-A

508 mm	€ 445,-	22.0 kg	
550 mm	€ 1.070,-	23.8 kg	F
2x250 mm	€ 540,-	21.7 kg	FC

Serie W  
Ataque W: LPW196.78.R1-A



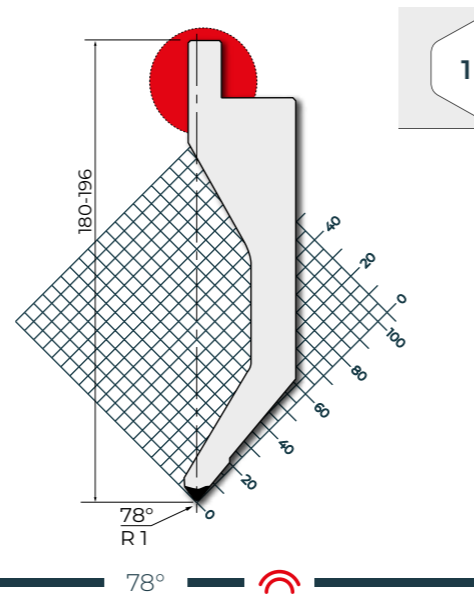
42Cr: 900-1150 N/mm<sup>2</sup> 450 kN/m max.

LP180.78.R1-B			
508 mm	€ 365,-	22.0 kg	
550 mm	€ 694,-	24.0 kg	F
2x250 mm	€ 399,-	21.7 kg	FC

Serie CLASSIC  
Ataque A: LPA180.78.R1-B  
Ataque B: LPB180.78.R1-B  
Ataque C: LPC180.78.R1-B  
Ataque D: LPD180.78.R1-B

508 mm	€ 473,-	22.0 kg	
550 mm	€ 1.126,-	23.8 kg	F
2x250 mm	€ 570,-	21.7 kg	FC

Serie W  
Ataque W: LPW196.78.R1-B



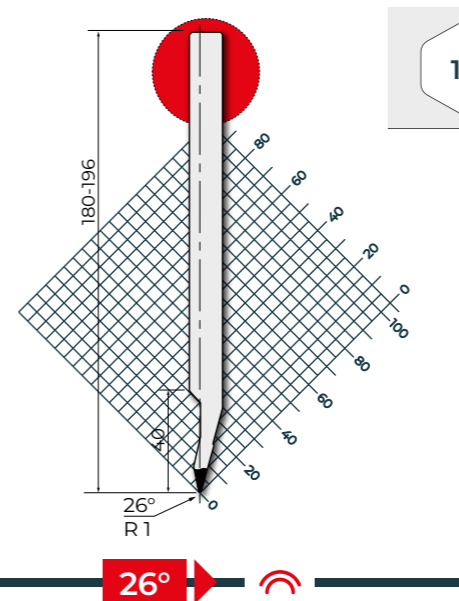
42Cr: 900-1150 N/mm<sup>2</sup> 500 kN/m max.

LP180.26.R1			
508 mm	€ 210,-	9.0 kg	
550 mm	€ 488,-	10.0 kg	F
2x250 mm	€ 236,-	8.9 kg	FC

Serie CLASSIC  
Ataque A: LPA180.26.R1  
Ataque B: LPB180.26.R1  
Ataque C: LPC180.26.R1  
Ataque D: LPD180.26.R1

508 mm	€ 345,-	9.0 kg	
550 mm	€ 1.017,-	10.0 kg	F
2x250 mm	€ 425,-	8.9 kg	FC

Serie W  
Ataque W: LPW196.26.R1



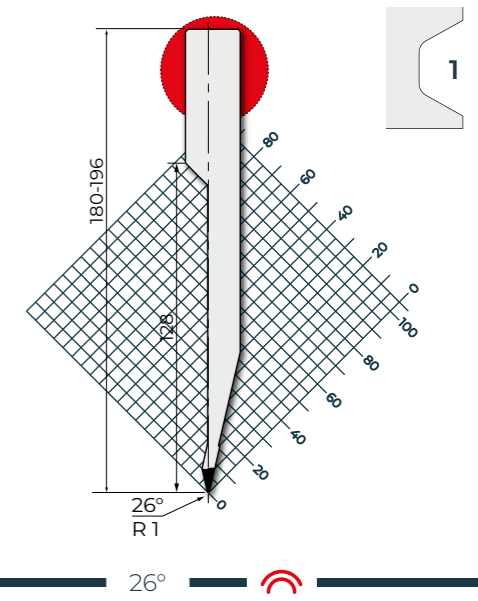
42Cr: 900-1150 N/mm<sup>2</sup> 400 kN/m max.

LP180.26.R1-A			
508 mm	€ 349,-	12.5 kg	
550 mm	€ 817,-	13.5 kg	F
2x250 mm	€ 441,-	12.3 kg	FC

Serie CLASSIC  
Ataque A: LPA180.26.R1-A  
Ataque B: LPB180.26.R1-A  
Ataque C: LPC180.26.R1-A  
Ataque D: LPD180.26.R1-A

508 mm	€ 393,-	12.5 kg	
550 mm	€ 1.071,-	13.5 kg	F
2x250 mm	€ 471,-	12.3 kg	FC

Serie W  
Ataque W: LPW196.26.R1-A



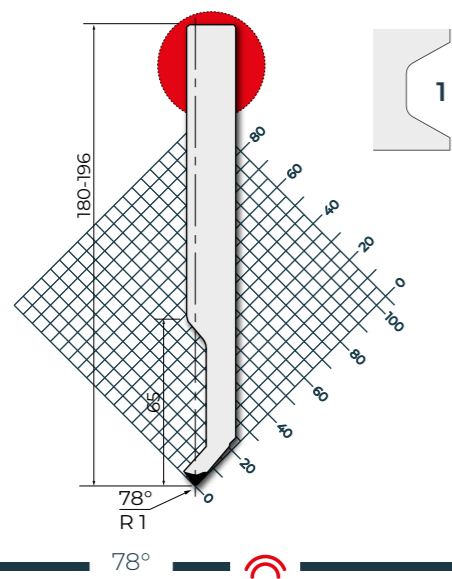
42Cr: 900-1150 N/mm<sup>2</sup> 500 kN/m max.

LP180.78.R1-C			
508 mm	€ 223,-	11.0 kg	
550 mm	€ 500,-	12.0 kg	F
2x250 mm	€ 256,-	10.0 kg	FC

Serie CLASSIC  
Ataque A: LPA180.78.R1-C  
Ataque B: LPB180.78.R1-C  
Ataque C: LPC180.78.R1-C  
Ataque D: LPD180.78.R1-C

508 mm	€ 363,-	22.0 kg	
550 mm	€ 1.068,-	23.8 kg	F
2x250 mm	€ 428,-	21.7 kg	FC

Serie W  
Ataque W: LPW196.78.R1-C



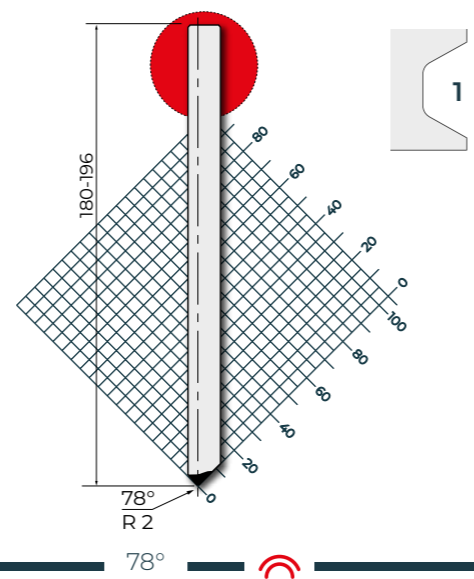
42Cr: 900-1150 N/mm<sup>2</sup> 1000 kN/m max.

LP180.78.R2			
508 mm	€ 188,-	9.0 kg	
550 mm	€ 467,-	9.7 kg	F
2x250 mm	€ 213,-	8.9 kg	FC

Serie CLASSIC  
Ataque A: LPA180.78.R2  
Ataque B: LPB180.78.R2  
Ataque C: LPC180.78.R2  
Ataque D: LPD180.78.R2

508 mm	€ 307,-	22.0 kg	
550 mm	€ 1.035,-	23.8 kg	F
2x250 mm	€ 398,-	21.7 kg	FC

Serie W  
Ataque W: LPW196.78.R2



R4



42Cr: 900-1150 N/mm<sup>2</sup> 800 kN/m max.

**LPW231.78.R2-A**

508 mm	€ 508,-	27.6 kg
550 mm	€ 1.159,-	29.9 kg <b>F</b>
2x250 mm	€ 541,-	27.2 kg <b>FC</b>

42Cr: 900-1150 N/mm<sup>2</sup> 750 kN/m max.

**LPW231.78.R2-B**

508 mm	€ 540,-	23.4 kg
550 mm	€ 1.206,-	25.4 kg <b>F</b>
2x250 mm	€ 569,-	23.1 kg <b>FC</b>

42Cr: 900-1150 N/mm<sup>2</sup> 500 kN/m max.

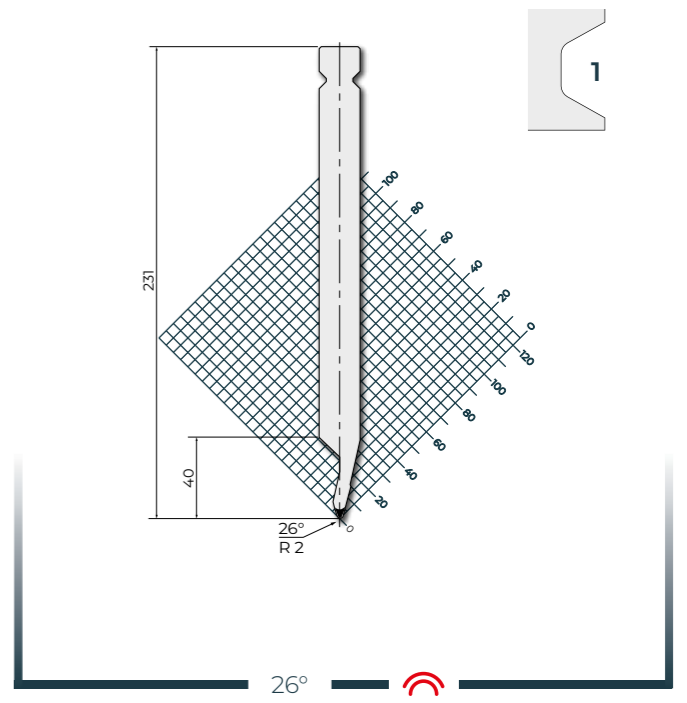
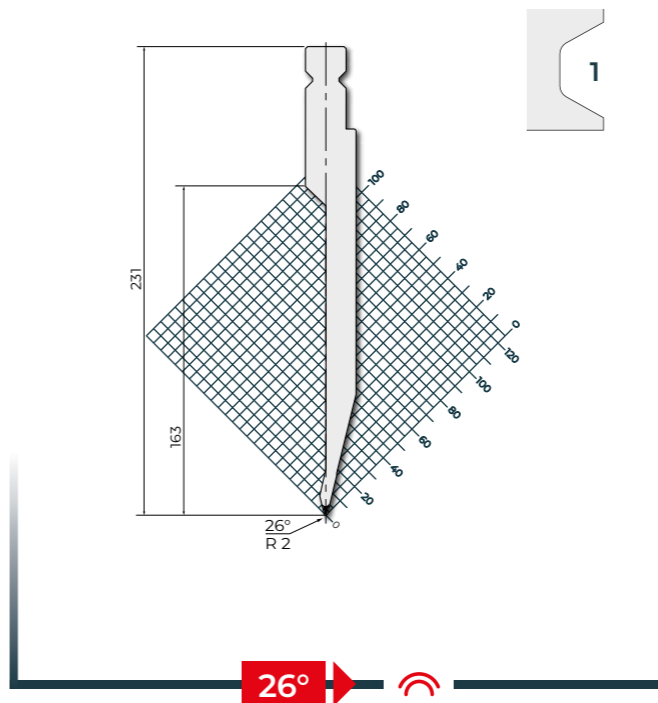
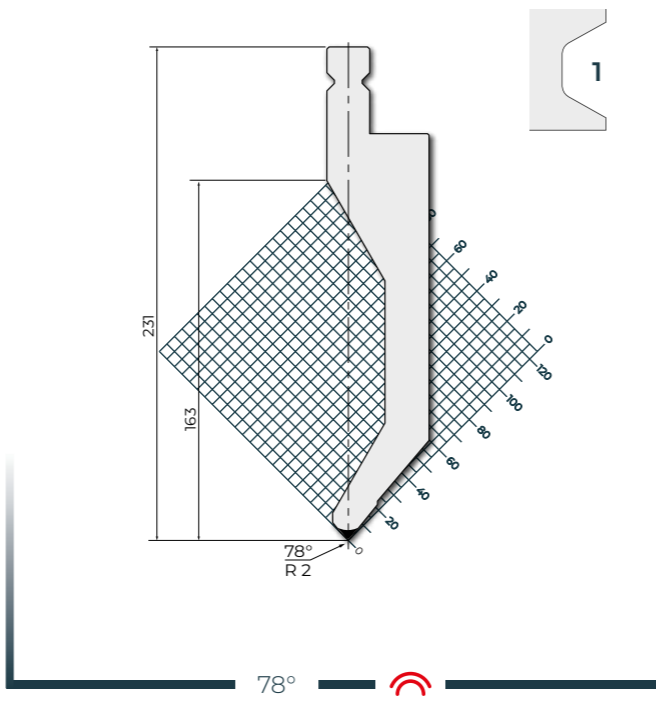
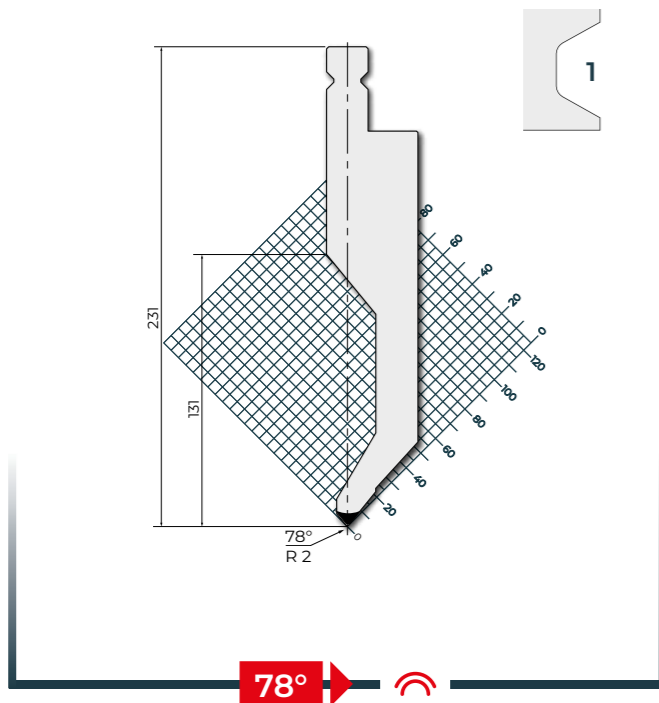
**LPW231.26.R2-A**

508 mm	€ 592,-	9.0 kg
550 mm	€ 1.581,-	10.0 kg <b>F</b>
2x250 mm	€ 691,-	8.9 kg <b>FC</b>

42Cr: 900-1150 N/mm<sup>2</sup> 500 kN/m max.

**LPW231.26.R2**

508 mm	€ 540,-	16.3 kg
550 mm	€ 1.516,-	17.6 kg <b>F</b>
2x250 mm	€ 628,-	16.0 kg <b>FC</b>



42Cr: 900-1150 N/mm<sup>2</sup> 500 kN/m max.

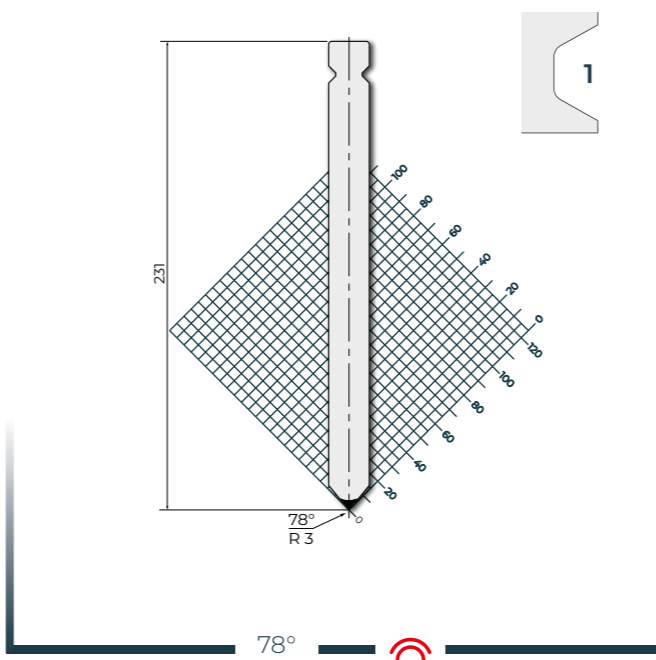
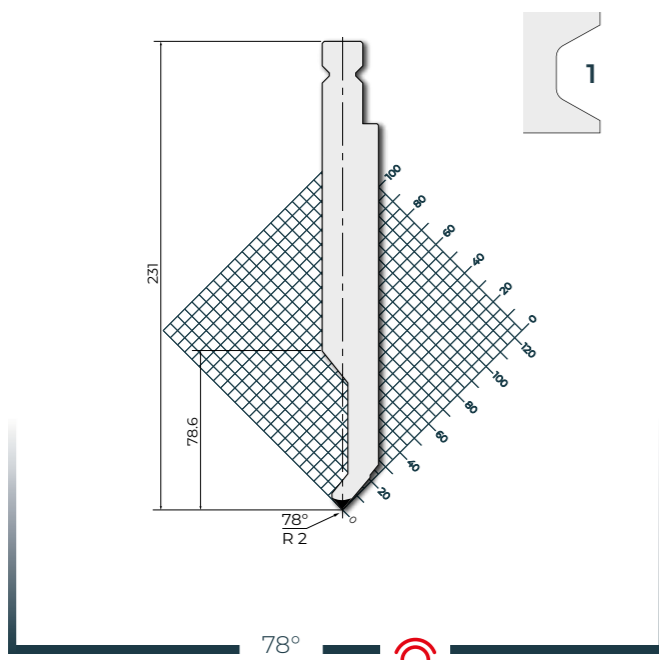
**LPW231.78.R2-C**

508 mm	€ 404,-	19.1 kg
550 mm	€ 617,-	20.7 kg <b>F</b>
2x250 mm	€ 502,-	18.8 kg <b>FC</b>

42Cr: 900-1150 N/mm<sup>2</sup> 1200 kN/m max.

**LPW231.78.R3**

508 mm	€ 356,-	18.3 kg
550 mm	€ 571,-	19.8 kg <b>F</b>
2x250 mm	€ 473,-	18.0 kg <b>FC</b>



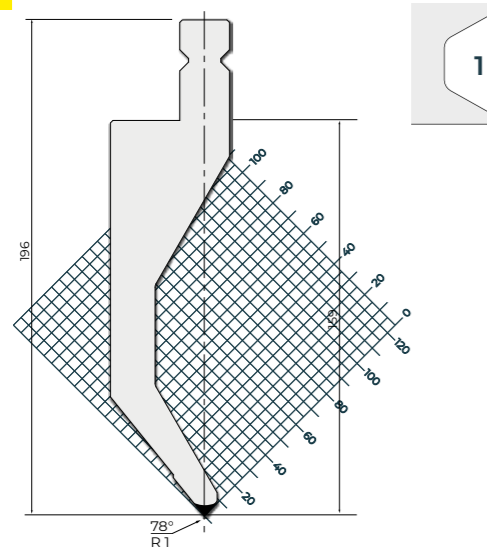
R4



42Cr: 900-1150 N/mm<sup>2</sup> 400 kN/m max.  
**LPW196.D10-R1**

510 mm	☺	16.3 kg
550 mm	☺	17.6 kg <b>F</b>
2x250 mm	☺	16.0 kg <b>FC</b>

NUEVO

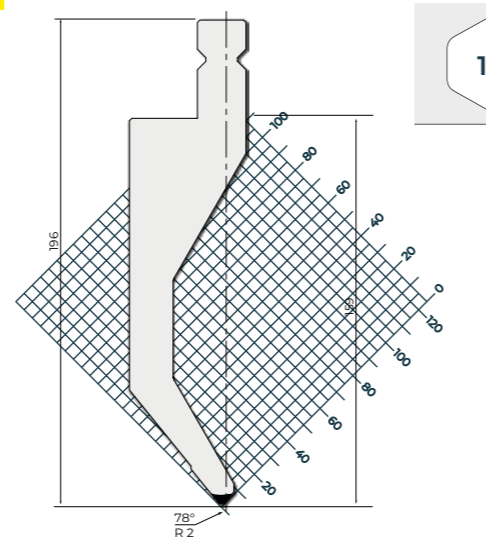


78°

42Cr: 900-1150 N/mm<sup>2</sup> 750 kN/m max.  
**LPW196.D10-R2**

510 mm	☺	17.7 kg
550 mm	☺	19.1 kg <b>F</b>
2x250 mm	☺	17.4 kg <b>FC</b>

NUEVO

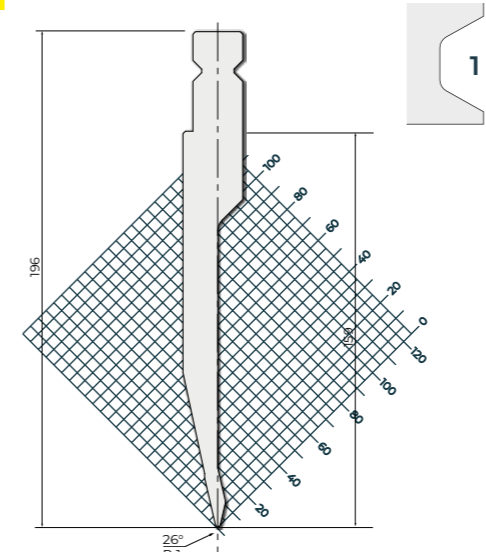


78°

42Cr: 900-1150 N/mm<sup>2</sup> 400 kN/m max.  
**LPW196.J10-R1**

510 mm	☺	8.8 kg
550 mm	☺	9.4 kg <b>F</b>
2x250 mm	☺	8.6 kg <b>FC</b>

NUEVO

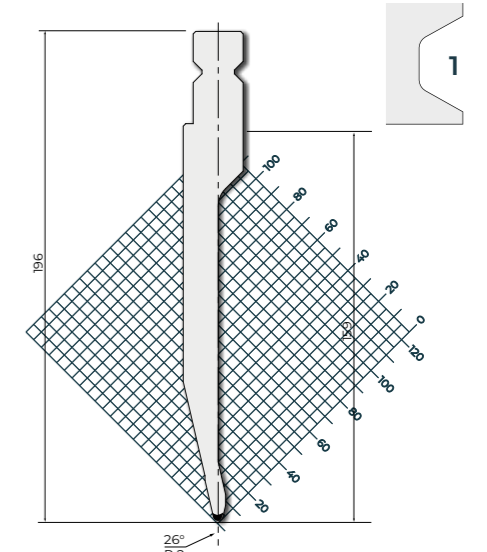


26°

42Cr: 900-1150 N/mm<sup>2</sup> 600 kN/m max.  
**LPW196.J10-R2**

510 mm	☺	11.4 kg
550 mm	☺	12.3 kg <b>F</b>
2x250 mm	☺	11.2 kg <b>FC</b>

NUEVO

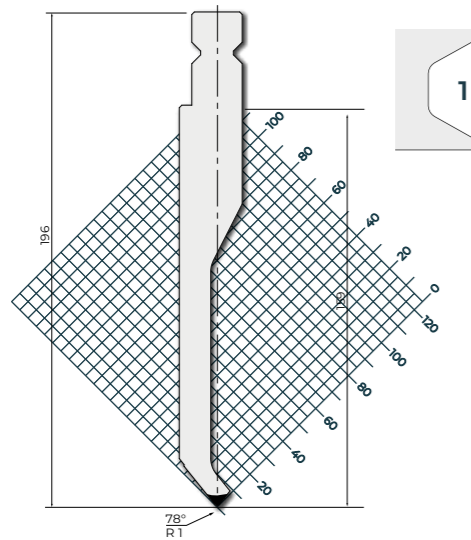


26°

42Cr: 900-1150 N/mm<sup>2</sup> 400 kN/m max.  
**LPW196.E10-R1**

510 mm	☺	12.9 kg
550 mm	☺	14.0 kg <b>F</b>
2x250 mm	☺	12.7 kg <b>FC</b>

NUEVO

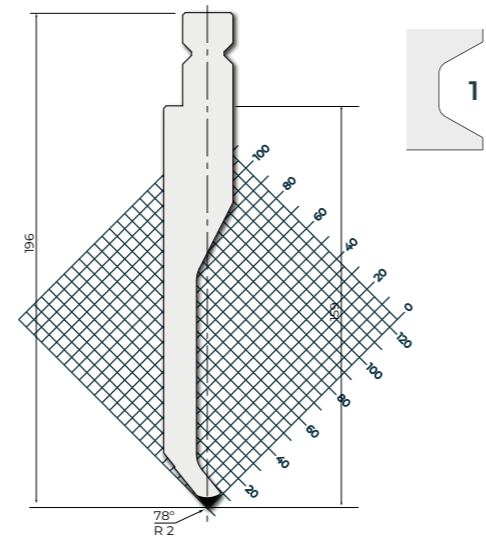


78°

42Cr: 900-1150 N/mm<sup>2</sup> 680 kN/m max.  
**LPW196.E10-R2**

510 mm	☺	13.7 kg
550 mm	☺	14.9 kg <b>F</b>
2x250 mm	☺	13.5 kg <b>FC</b>

NUEVO

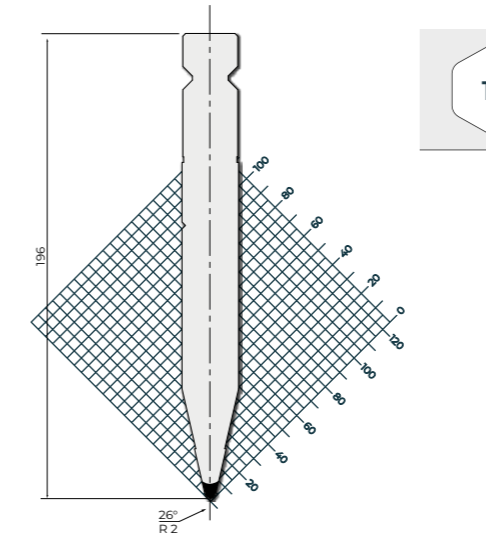


78°

42Cr: 900-1150 N/mm<sup>2</sup> 800 kN/m max.  
**LPW196.R10-R2**

510 mm	☺	9.0 kg
550 mm	☺	9.8 kg <b>F</b>
2x250 mm	☺	8.8 kg <b>FC</b>

NUEVO



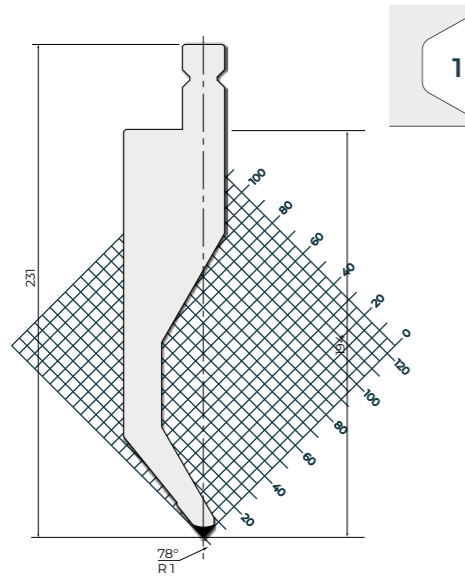
26°



42Cr: 900-1150 N/mm<sup>2</sup> 400 kN/m max.  
**LPW231.D15-R1**

510 mm	☺	20.1 kg
550 mm	☺	21.7 kg <b>F</b>
2x250 mm	☺	19.8 kg <b>FC</b>

NUEVO

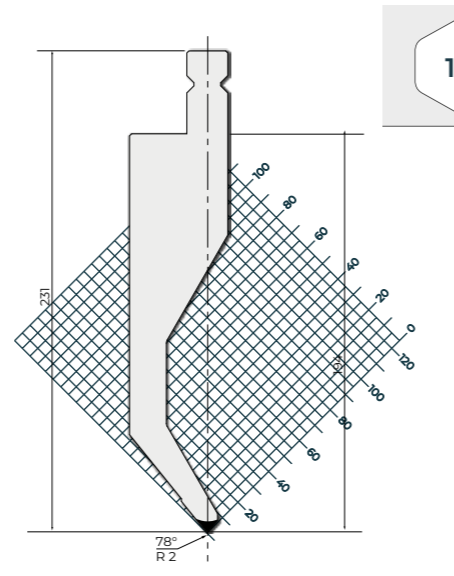


78°

42Cr: 900-1150 N/mm<sup>2</sup> 750 kN/m max.  
**LPW231.D15-R2**

510 mm	☺	21.9 kg
550 mm	☺	23.7 kg <b>F</b>
2x250 mm	☺	21.4 kg <b>FC</b>

NUEVO

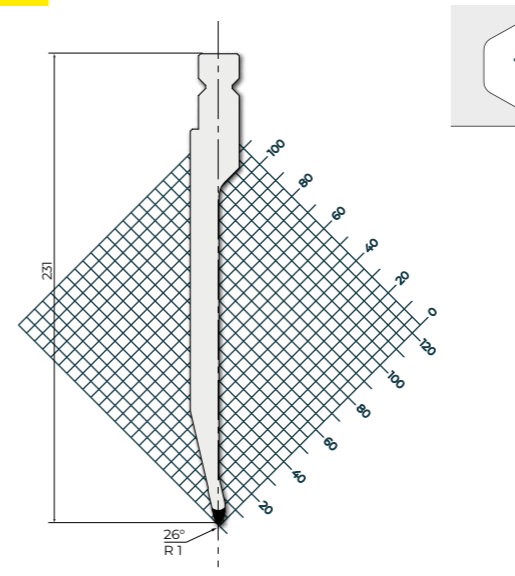


78°

42Cr: 900-1150 N/mm<sup>2</sup> 400 kN/m max.  
**LPW231.J15-R1**

510 mm	☺	13.3 kg
550 mm	☺	14.5 kg <b>F</b>
2x250 mm	☺	13.1 kg <b>FC</b>

NUEVO

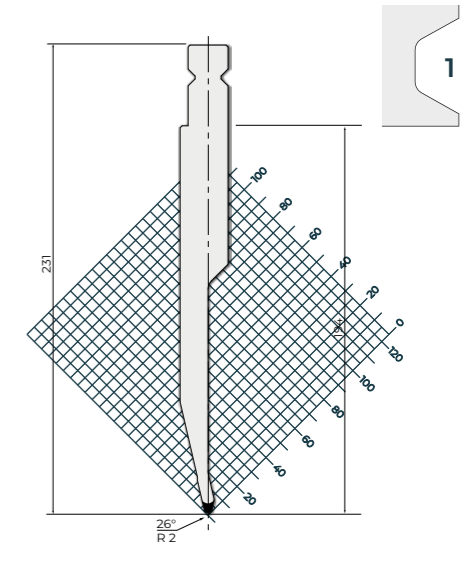


26°

42Cr: 900-1150 N/mm<sup>2</sup> 600 kN/m max.  
**LPW231.J15-R2**

510 mm	☺	12.2 kg
550 mm	☺	13.2 kg <b>F</b>
2x250 mm	☺	12.0 kg <b>FC</b>

NUEVO

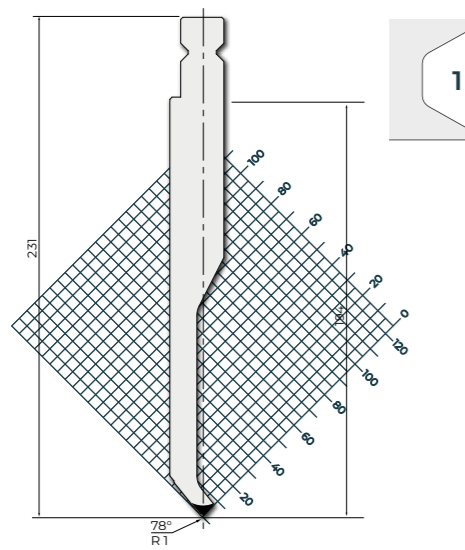


26°

42Cr: 900-1150 N/mm<sup>2</sup> 400 kN/m max.  
**LPW231.E15-R1**

510 mm	☺	16.5 kg
550 mm	☺	17.9 kg <b>F</b>
2x250 mm	☺	16.3 kg <b>FC</b>

NUEVO

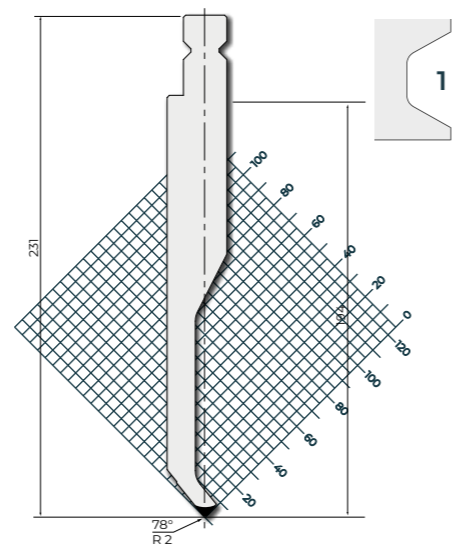


78°

42Cr: 900-1150 N/mm<sup>2</sup> 680 kN/m max.  
**LPW231.E15-R2**

510 mm	☺	17.6 kg
550 mm	☺	19.0 kg <b>F</b>
2x250 mm	☺	17.4 kg <b>FC</b>

NUEVO

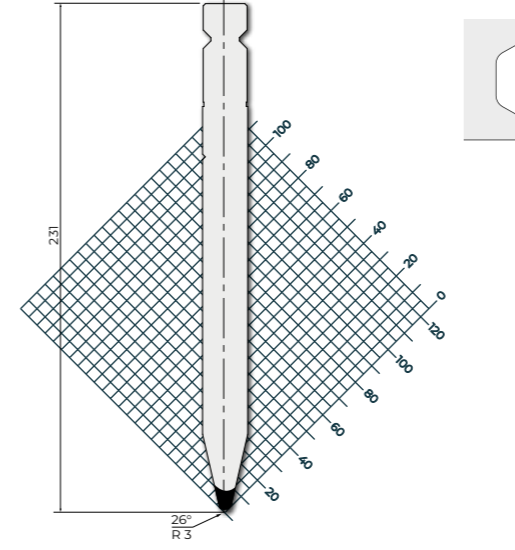


78°

42Cr: 900-1150 N/mm<sup>2</sup> 1200 kN/m max.  
**LPW231.R15-R3**

510 mm	☺	16.3 kg
550 mm	☺	17.6 kg <b>F</b>
2x250 mm	☺	16.0 kg <b>FC</b>

NUEVO



26°

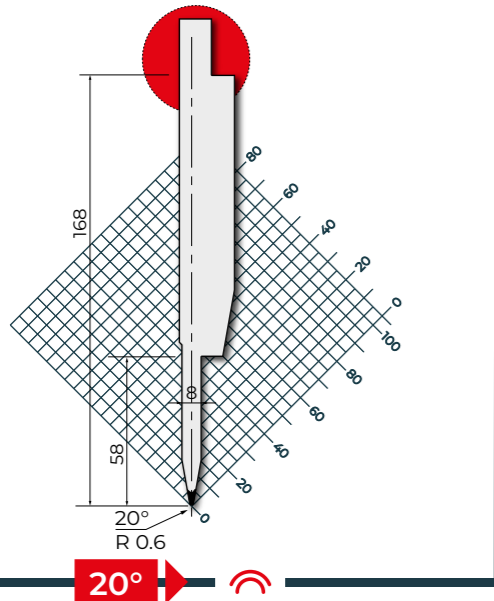


Útiles para plegado y aplanado - R4

42Cr: 900-1150 N/mm<sup>2</sup> 800 kN/m max. - 1000 kN/m max.  
**LP.SP-190.20.8**

525 mm	€ 734,-	13.4 kg			<b>Serie CLASSIC</b>
495 mm	€ 1.161,-	12.6 kg	F		Ataque A: LPA.SP-190.20.8
					Ataque B: LPB.SP-190.20.8
2x250 mm	€ 760,-	12.8 kg	FC		Ataque C: LPC.SP-190.20.8
					Ataque D: LPD.SP-190.20.8

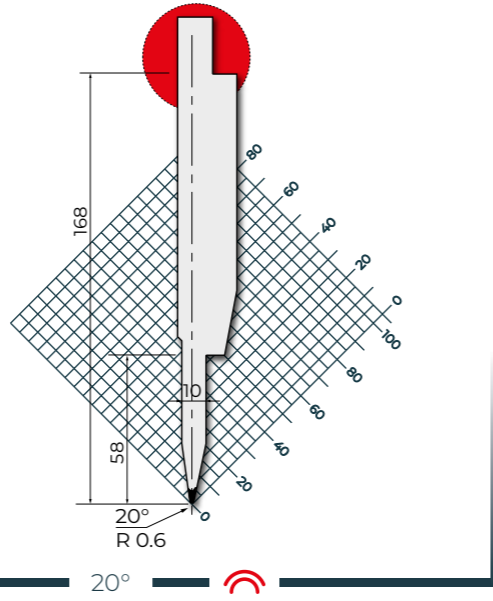
525 mm	€ 642,-	13.4 kg			<b>Serie W</b>
495 mm	€ 1.016,-	12.6 kg	F		Ataque W: LPW.SP-190.20.8
2x250 mm	€ 680,-	12.8 kg	FC		Para usar con: LP.SM-190.20.8 (pág. 168)



42Cr: 900-1150 N/mm<sup>2</sup> 800 kN/m max. - 1000 kN/m max.  
**LP.SP-190.20.10**

525 mm	€ 734,-	13.1 kg			<b>Serie CLASSIC</b>
495 mm	€ 1.161,-	12.3 kg	F		Ataque A: LPA.SP-190.20.10
					Ataque B: LPB.SP-190.20.10
2x250 mm	€ 760,-	12.5 kg	FC		Ataque C: LPC.SP-190.20.10
					Ataque D: LPD.SP-190.20.10

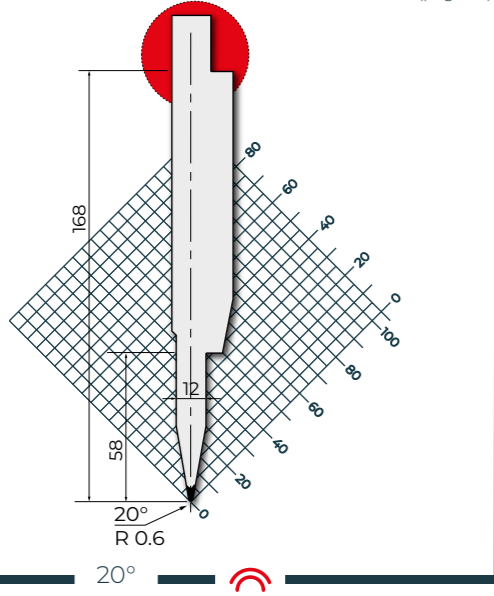
525 mm	€ 642,-	13.1 kg			<b>Serie W</b>
495 mm	€ 1.016,-	12.3 kg	F		Ataque W: LPW.SP-190.20.10
2x250 mm	€ 680,-	12.5 kg	FC		Para usar con: LP.SM-190.20.10 (pág. 168)



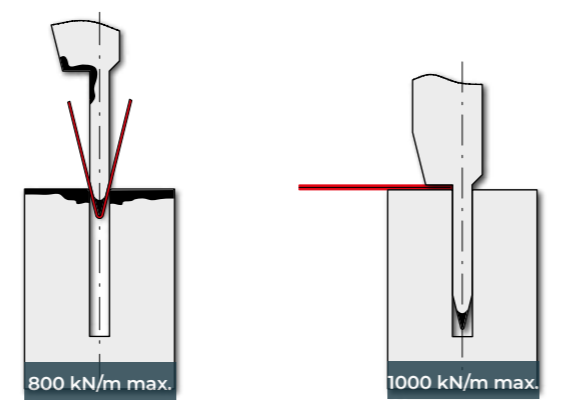
42Cr: 900-1150 N/mm<sup>2</sup> 800 kN/m max. - 1000 kN/m max.  
**LP.SP-190.20.12**

525 mm	€ 734,-	13.6 kg			<b>Serie CLASSIC</b>
495 mm	€ 1.161,-	12.8 kg	F		Ataque A: LPA.SP-190.20.12
					Ataque B: LPB.SP-190.20.12
2x250 mm	€ 760,-	13.0 kg	FC		Ataque C: LPC.SP-190.20.12
					Ataque D: LPD.SP-190.20.12

525 mm	€ 680,-	13.6 kg			<b>Serie W</b>
495 mm	€ 1.016,-	12.8 kg	F		Ataque W: LPW.SP-190.20.12
2x250 mm	€ 680,-	13.0 kg	FC		Para usar con: LP.SM-190.20.12 (pág. 168)



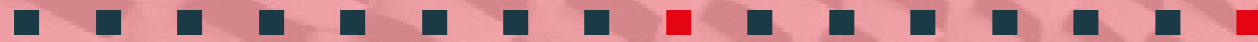
Ejemplo de uso



S [mm]	A [mm]	R.420 N/mm <sup>2</sup> kN/m	R.700 N/mm <sup>2</sup> kN/m	S [mm]	A [mm]	R.420 N/mm <sup>2</sup> kN/m	R.700 N/mm <sup>2</sup> kN/m
0.6	3.0	90	150	0.6	1.2	230	350
0.8	3.0	120	200	0.8	1.6	320	500
1.0	3.5	150	250	1.0	1.0	400	600
1.25	3.5	170	260	1.25	2.5	500	800



R4



## MATRICES ROLLERI TIPO R4

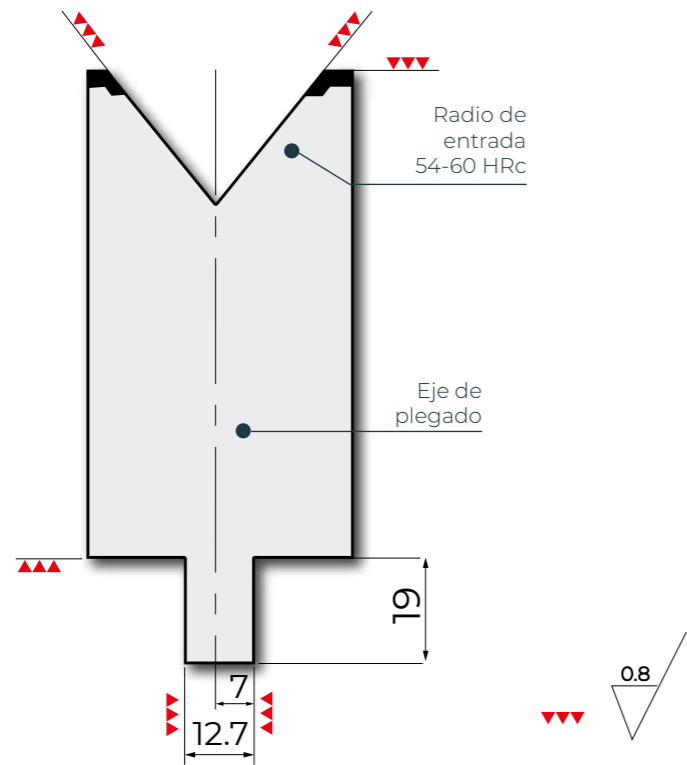
### ▼ COMPATIBILIDAD

LVD

<b>Especificaciones</b>	160 - 161
<b>Matrices</b>	162 - 163
78°, H=90	162
78°, H=130	163
60°, H=130	164
30°, H=90	165
30°, H=130	166
<b>Matrices Multi-V</b>	167
<b>Matrices para plegado y aplanado</b>	168



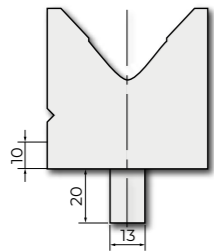
**ATAQUE**



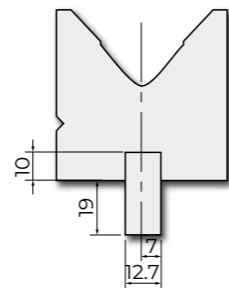
**MODIFICACIÓN RANURA DE ATAQUE**

Para utilizar la matriz Rolleri tipo R1 en otras marcas de plegadoras, se realiza una ranura de 10 mm y se coloca una chaveta de 13x30 mm para facilitar el encaje.

**A31**



**A32**



**LONGITUD ESTÁNDAR**

► **Matrices**

508 mm

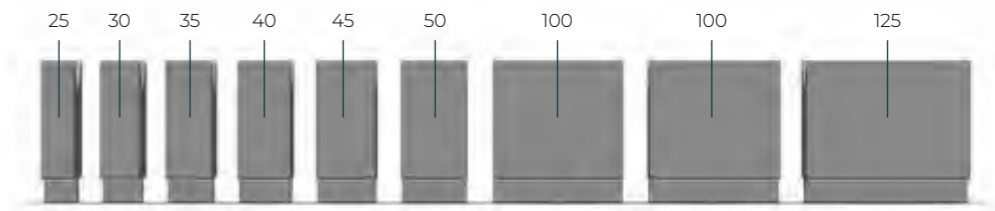
► **Matrices para plegado y aplanado**

525 mm

**MÓDULOS FRACCIONADOS**

► **Matrices**

550 mm - 9 segmentos

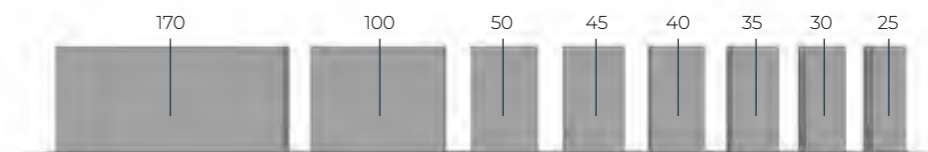


500 mm - 2 segmentos



► **Matrices para plegado y aplanado**

495 mm - 8 segmentos



500 mm - 2 segmentos



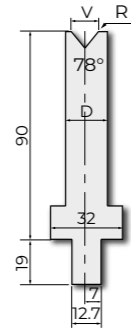


42Cr: 900-1150 N/mm<sup>2</sup>

Ver tabla

H=90 mm										
	V [mm]	R [mm]	D [mm]	kN/m max.	F		FC			
LM90.06.78	6	1.0	12	400	€ 250,-	8.0 kg	€ 468,-	8.6 kg	€ 277,-	7.9 kg
LM90.08.78	8	1.0	12	400	€ 250,-	8.0 kg	€ 468,-	8.6 kg	€ 277,-	7.9 kg
LM90.10.78	10	1.0	14	500	€ 250,-	8.0 kg	€ 468,-	8.6 kg	€ 277,-	7.9 kg
LM90.12.78	12	2.0	18	600	€ 250,-	8.0 kg	€ 468,-	8.6 kg	€ 277,-	7.9 kg
LM90.16.78	16	2.5	25	800	€ 250,-	10.0 kg	€ 468,-	10.8 kg	€ 277,-	9.9 kg

También disponible en longitudes de 510 mm y fraccionado de 550 mm (20,20,25,25,30,35,40,40,45,75,75,120)



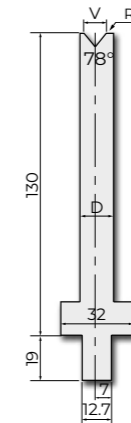
78°

Ver tabla

42Cr: 900-1150 N/mm<sup>2</sup>

H=130 mm										
	V [mm]	R [mm]	D [mm]	kN/m max.	F		FC			
LM130.06.78	6	1.0	12	400	€ 322,-	8.3 kg	€ 628,-	9.0 kg	€ 356,-	8.2 kg
LM130.08.78	8	1.0	12	400	€ 322,-	8.4 kg	€ 628,-	9.1 kg	€ 356,-	8.3 kg
LM130.10.78	10	1.0	14	500	€ 322,-	10.1 kg	€ 628,-	11.0 kg	€ 356,-	10.0 kg
LM130.12.78	12	2.0	18	600	€ 322,-	11.1 kg	€ 628,-	12.0 kg	€ 356,-	10.9 kg
LM130.16.78	16	2.5	25	800	€ 322,-	14.3 kg	€ 628,-	15.5 kg	€ 356,-	14.1 kg

También disponible en longitudes de 510 mm y fraccionado de 550 mm (20,20,25,25,30,35,40,40,45,75,75,120)



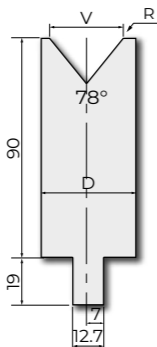
78°

42Cr: 900-1150 N/mm<sup>2</sup>

Ver tabla

H=90 mm										
	V [mm]	R [mm]	D [mm]	kN/m max.	F		FC			
LM90.20.78	20	3.0	32	1000	€ 280,-	11.9 kg	€ 499,-	12.8 kg	€ 307,-	11.8 kg
LM90.24.78	24	3.0	32	1000	€ 280,-	10.0 kg	€ 499,-	10.8 kg	€ 307,-	9.9 kg
LM90.30.78	30	3.0	40	1100	€ 280,-	12.0 kg	€ 499,-	13.0 kg	€ 307,-	11.8 kg
LM90.40.78	40	4.0	50	1300	€ 280,-	13.0 kg	€ 499,-	14.0 kg	€ 307,-	12.8 kg
LM90.50.78	50	4.0	60	1500	€ 356,-	19.5 kg	€ 603,-	21.0 kg	€ 389,-	19.2 kg
LM90.60.78	60	5.0	70	1500	€ 250,-	23.0 kg	€ 468,-	24.9 kg	€ 277,-	22.7 kg
LM90.80.78	80	5.0	90	1500	€ 494,-	25.5 kg	€ 768,-	27.6 kg	€ 486,-	25.1 kg
LM90.100.78	100	8.0	120	1200	€ 527,-	31.0 kg	€ 1.021,-	33.5 kg	€ 572,-	30.6 kg

También disponible en longitudes de 510 mm y fraccionado de 550 mm (20,20,25,25,30,35,40,40,45,75,75,120)



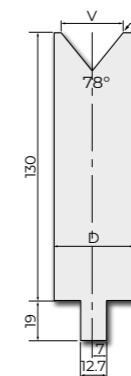
78°

42Cr: 900-1150 N/mm<sup>2</sup>

Ver tabla

H=130 mm										
	V [mm]	R [mm]	D [mm]	kN/m max.	F		FC			
LM130.20.78	20	3.0	32	1000	€ 322,-	17.5 kg	€ 628,-	19.0 kg	€ 356,-	17.2 kg
LM130.24.78	24	3.0	32	1000	€ 322,-	17.0 kg	€ 628,-	18.5 kg	€ 356,-	16.8 kg
LM130.30.78	30	3.0	40	1100	€ 347,-	20.7 kg	€ 658,-	22.4 kg	€ 380,-	20.4 kg
LM130.40.78	40	4.0	50	1300	€ 379,-	26.6 kg	€ 764,-	28.9 kg	€ 413,-	26.2 kg
LM130.50.78	50	4.0	60	1500	€ 463,-	34.2 kg	€ 863,-	37.0 kg	€ 502,-	33.6 kg
LM130.60.78	60	5.0	70	1500	€ 522,-	34.2 kg	€ 940,-	37.0 kg	€ 563,-	33.6 kg
LM130.80.78	80	5.0	90	1500	€ 714,-	42.3 kg	€ 1.123,-	45.8 kg	€ 767,-	41.6 kg

También disponible en longitudes de 510 mm y fraccionado de 550 mm (20,20,25,25,30,35,40,40,45,75,75,120)



78°



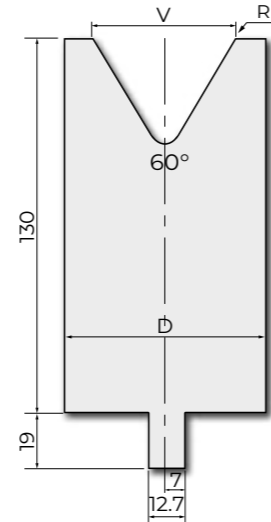


42Cr: 900-1150 N/mm<sup>2</sup>

Ver tabla

H=130 mm					F		FC			
	V [mm]	R [mm]	D [mm]	kN/m max.						
LM130.30.60	30	3.0	40	500	€ 379,-	20.4 kg	€ 660,-	22.1 kg	€ 416,-	20.1 kg
LM130.40.60	40	5.0	55	660	€ 418,-	26.8 kg	€ 805,-	29.1 kg	€ 464,-	26.4 kg
LM130.50.60	50	5.0	70	1050	€ 463,-	33.0 kg	€ 862,-	35.7 kg	€ 511,-	32.5 kg
LM130.60.60	60	7.0	80	1200	€ 552,-	36.5 kg	€ 969,-	39.6 kg	€ 604,-	36.0 kg
LM130.80.60	80	8.0	102	1750	€ 755,-	43.0 kg	€ 1.210,-	46.6 kg	€ 848,-	42.4 kg
LM130.100.60	100	8.0	120	1600	€ 842,-	47.6 kg	€ 1.510,-	51.5 kg	€ 989,-	46.8 kg
LM130.120.60	120	8.0	145	1300	€ 950,-	51.0 kg	€ 2.054,-	55.2 kg	€ 1.112,-	50.2 kg

También disponible en longitudes de 510 mm y fraccionado de 550 mm (20,20,25,25,30,35,40,40,45,75,120)

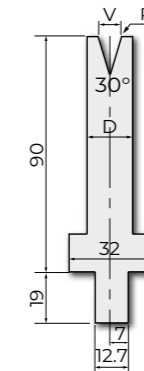


Ver tabla

42Cr: 900-1150 N/mm<sup>2</sup>

H=90 mm					F		FC			
	V [mm]	R [mm]	D [mm]	kN/m max.						
LM90.06.30	6	0.8	16	200	€ 280,-	8.0 kg	€ 499,-	8.6 kg	€ 307,-	7.9 kg
LM90.08.30	8	1.0	18	220	€ 280,-	8.0 kg	€ 499,-	8.6 kg	€ 307,-	7.9 kg
LM90.10.30	10	1.2	25	300	€ 280,-	8.0 kg	€ 499,-	8.6 kg	€ 307,-	7.9 kg

También disponible en longitudes de 510 mm y fraccionado de 550 mm (20,20,25,25,30,35,40,40,45,75,120)

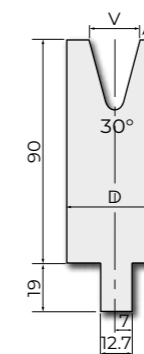


42Cr: 900-1150 N/mm<sup>2</sup>

Ver tabla

H=90 mm					F		FC			
	V [mm]	R [mm]	D [mm]	kN/m max.						
LM90.12.30	12	1.2	32	380	€ 302,-	11.9 kg	€ 521,-	12.6 kg	€ 330,-	11.8 kg
LM90.16.30	16	3.0	32	380	€ 302,-	11.5 kg	€ 521,-	12.4 kg	€ 330,-	11.4 kg
LM90.20.30	20	3.0	40	380	€ 319,-	13.8 kg	€ 537,-	15.0 kg	€ 347,-	13.6 kg
LM90.24.30	24	3.0	50	550	€ 319,-	13.0 kg	€ 537,-	14.0 kg	€ 347,-	12.8 kg

También disponible en longitudes de 510 mm y fraccionado de 550 mm (20,20,25,25,30,35,40,40,45,75,120)



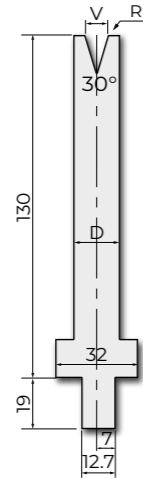


42Cr: 900-1150 N/mm<sup>2</sup>

Ver tabla

H=130 mm										
	V [mm]	R [mm]	D [mm]	kN/m max.		F		FC		
LM130.06.30	6	0.8	16	200	508 mm	€ 384,-	10.0 kg	€ 663,-	10.8 kg	
LM130.08.30	8	1.0	18	220		€ 384,-	10.9 kg	€ 663,-	11.8 kg	
LM130.10.30	10	1.2	25	300		€ 384,-	14.0 kg	€ 663,-	15.1 kg	
								2 x 250 mm	€ 415,-	9.8 kg
									€ 415,-	10.7 kg
									€ 415,-	13.8 kg

También disponible en longitudes de 510 mm  
y fraccionado de 550 mm  
(20,20,25,25,30,35,40,40,45,75,120)



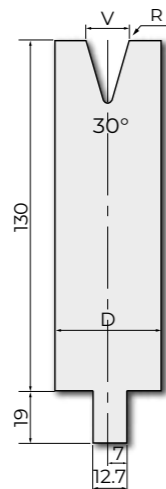
30°

42Cr: 900-1150 N/mm<sup>2</sup>

Ver tabla

H=130 mm										
	V [mm]	R [mm]	D [mm]	kN/m max.		F		FC		
LM130.12.30	12	2.0	32	380	508 mm	€ 384,-	17.1 kg	€ 663,-	18.5 kg	
LM130.16.30	16	3.0	32	380		€ 390,-	20.8 kg	€ 671,-	22.6 kg	
LM130.20.30	20	3.0	40	380		€ 390,-	20.3 kg	€ 671,-	22.0 kg	
LM130.24.30	24	3.0	50	550		€ 412,-	24.4 kg	€ 800,-	26.4 kg	
								2 x 250 mm	€ 415,-	16.9 kg
									€ 425,-	20.5 kg
									€ 425,-	20.0 kg
									€ 459,-	24.0 kg

También disponible en longitudes de 510 mm  
y fraccionado de 550 mm  
(20,20,25,25,30,35,40,40,45,75,120)

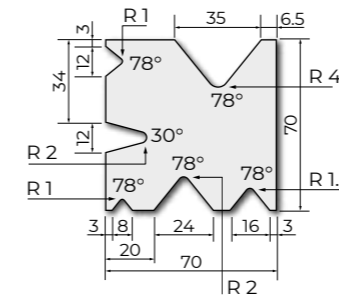


30°



42Cr: 900-1150 N/mm<sup>2</sup>

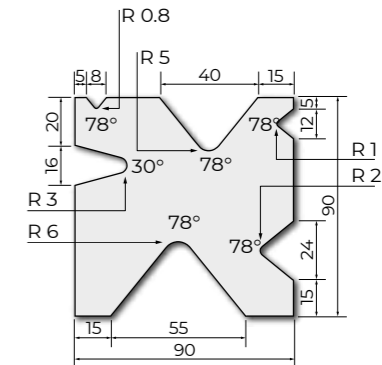
LM70									
508 mm		16.8 kg	V [mm]	12	12	35	24	16	8
550 mm		18.2 kg	R [mm]	30°	78°	78°	78°	78°	78°
			kN/m max.	1300	600	1300	1200	950	950



30° 78°

42Cr: 900-1150 N/mm<sup>2</sup>

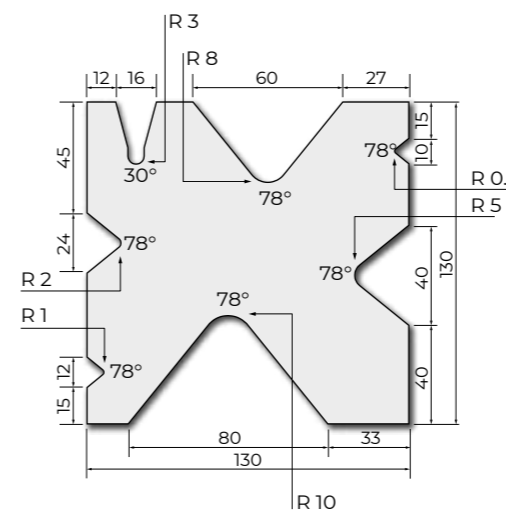
LM90									
508 mm		25.4 kg	V [mm]	8	40	12	24	55	16
550 mm		27.5 kg	R [mm]	78°	78°	78°	78°	78°	30°
			kN/m max.	550	1400	550	650	1000	1000



30° 78°

42Cr: 900-1150 N/mm<sup>2</sup>

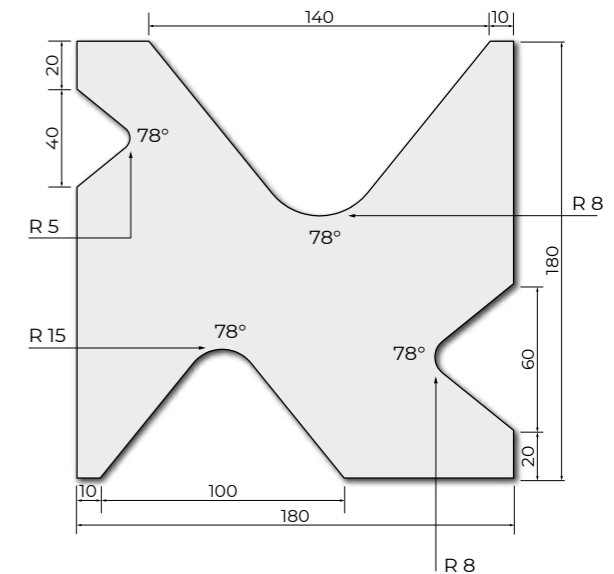
LM130										
508 mm		51.8 kg	V [mm]	16	60	10	80	40	12	24
550 mm		56.1 kg	R [mm]	30°	78°	78°	78°	78°	78°	
			kN/m max.	650	1500	650	1250	1500	480	1500



30° 78°

42Cr: 900-1150 N/mm<sup>2</sup>

LM180									
508 mm		25.4 kg	V [mm]	140	60	100	40		
550 mm		27.5 kg	R [mm]	78°	78°	78°	78°		
			kN/m max.	550	650	700	320		



78°

Matrices para plegado y aplanado - R4

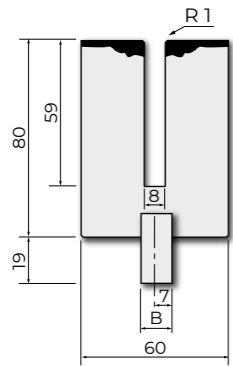
42Cr: 900-1150 N/mm<sup>2</sup> 500 kN/m max. - 1000 kN/m max.

LP.SM-190.20.8-12.7 / -12

525 mm	€ 366,-	18.7 kg			
495 mm	€ 648,-	17.7 kg	F		B=12.7 mm
2x250 mm	€ 392,-	17.8 kg	FC		

525 mm	€ 366,-	18.7 kg			
495 mm	€ 648,-	17.7 kg	F		B=12 mm
2x250 mm	€ 392,-	17.8 kg	FC		

Para usar con:  
▶ LP.SP-190.20.8 (pág. 156)



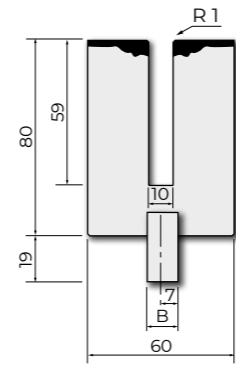
42Cr: 900-1150 N/mm<sup>2</sup> 500 kN/m max. - 1000 kN/m max.

LP.SM-190.20.10-12.7 / -12

525 mm	€ 366,-	18.3 kg			
495 mm	€ 648,-	17.2 kg	F		B=12.7 mm
2x250 mm	€ 392,-	17.4 kg	FC		

525 mm	€ 366,-	18.3 kg			
495 mm	€ 648,-	17.2 kg	F		B=12 mm
2x250 mm	€ 392,-	17.4 kg	FC		

Para usar con:  
▶ LP.SP-190.20.10 (pág. 156)



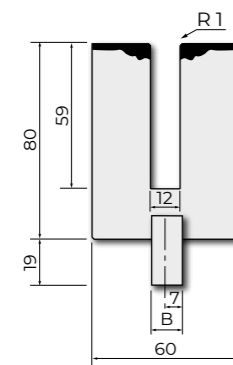
42Cr: 900-1150 N/mm<sup>2</sup> 500 kN/m max. - 1000 kN/m max.

LP.SM-190.20.12-12.7 / -12

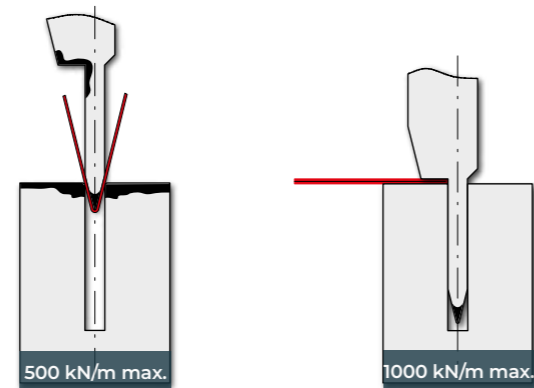
525 mm	€ 366,-	17.8 kg			
495 mm	€ 648,-	16.7 kg	F		B=12.7 mm
2x250 mm	€ 392,-	16.9 kg	FC		

525 mm	€ 366,-	17.8 kg			
495 mm	€ 648,-	16.7 kg	F		B=12 mm
2x250 mm	€ 392,-	16.9 kg	FC		

Para usar con:  
▶ LP.SP-190.20.12 (pág. 156)



Ejemplo de uso



S [mm]	A [mm]	R420 N/mm <sup>2</sup> kN/m	R700 N/mm <sup>2</sup> kN/m	S [mm]	A [mm]	R420 N/mm <sup>2</sup> kN/m	R700 N/mm <sup>2</sup> kN/m
0.6	3.0	90	150	0.6	1.2	230	350
0.8	3.0	120	200	0.8	1.6	320	500
1.0	3.5	150	250	1.0	1.0	400	600
1.25	3.5	170	260	1.25	2.5	500	800



R4



## HERRAMIENTAS ROLLERI TIPO RX

### ▼ COMPATIBILIDAD

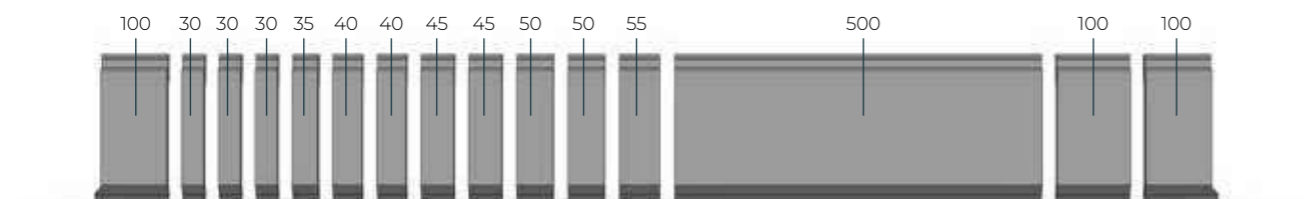
American  
 Ajail-Axial  
 Colly  
 Colgar  
 EHT  
 Gasparini  
 Hämmerle - Bystronic  
 Ursviken  
 Weinbrenner

<b>Colly</b>	
<b>Herramientas compatibles</b>  Colly	172 - 180
Punzones	172 - 176
Matrices	177 - 180
<b>Ajial-Axial</b>	
<b>Herramientas compatibles</b>  Ajial-Axial	181 - 182
Punzones	181
<b>Gasparini</b>	
<b>Herramientas compatibles</b>  Gasparini	183 - 186
Soportes	184 - 185
Punzones	186
<b>Colgar</b>	
<b>Herramientas compatibles</b>  Colgar	187 - 188
Punzones	188
<b>Ursviken</b>	
<b>Herramientas compatibles</b>  Ursviken	189
Punzones	189
Matrices	189
<b>EHT</b>	
<b>Herramientas compatibles</b>  EHT	190
Especificaciones	190
<b>Weinbrenner</b>	
<b>Herramientas compatibles</b>  Weinbrenner	191
Especificaciones	191
<b>American</b>	
<b>Herramientas compatibles</b>  American	SOLICITAR <b>NUEVO</b> CATÁLOGO COMPLEMENTARIO DE <b>ROLLERI</b>
<b>Hämmerle - Bystronic</b>	
<b>Herramientas compatibles</b>  Hämmerle-Bystronic	SOLICITAR <b>NUEVO</b> CATÁLOGO COMPLEMENTARIO DE <b>ROLLERI</b>

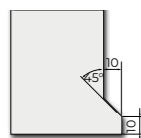
LONGITUD ESTÁNDAR Y FRACCIONADO

1020 mm 

Largo total 1250 mm



Bigornias

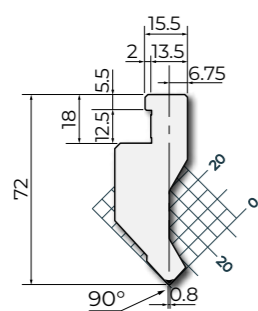


C45: 560-710 N/mm<sup>2</sup> 700 kN/m max.

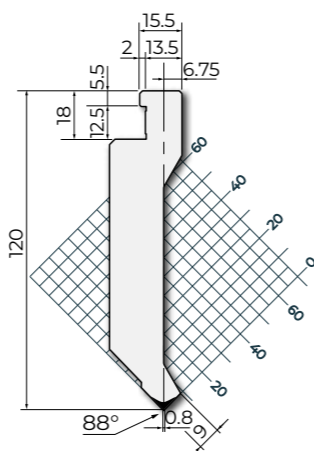
CP72.90.08		
1020 mm	€ 205,-	10.2 kg
1250 mm	€ 306,-	12.5 kg <b>F</b>

C45: 560-710 N/mm<sup>2</sup> 700 kN/m max.

CP120.88.08		
1020 mm	€ 244,-	18.5 kg
1250 mm	€ 392,-	22.6 kg <b>F</b>



90°



88°

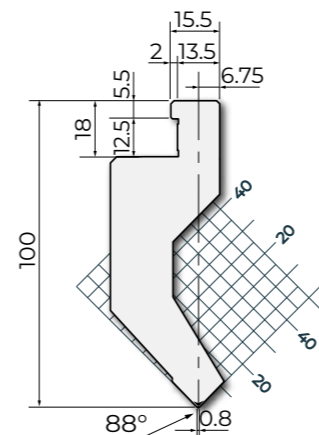


42Cr: 900-1150 N/mm<sup>2</sup> 500 kN/m max.

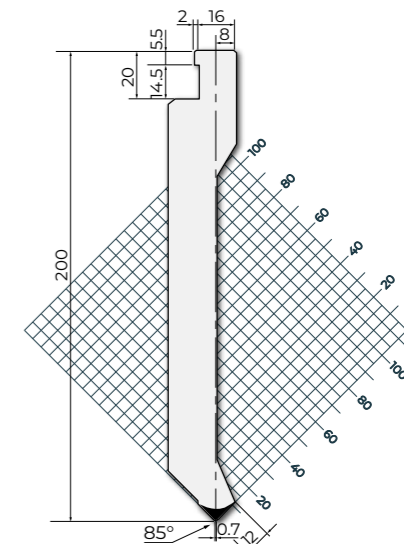
CP100.88.08-A		
1020 mm	€ 275,-	16.7 kg
1250 mm	€ 406,-	20.4 kg <b>F</b>

42Cr: 900-1150 N/mm<sup>2</sup> 1000 kN/m max.

CP200.85.07		
1020 mm	€ 853,-	31.6 kg
1250 mm	€ 1.641,-	39.0 kg <b>F</b>



88°



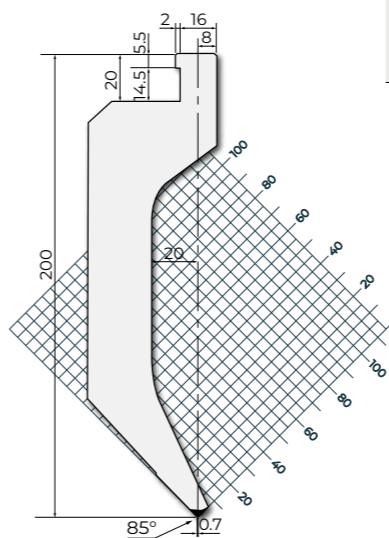
85°

42Cr: 900-1150 N/mm<sup>2</sup> 750 kN/m max.

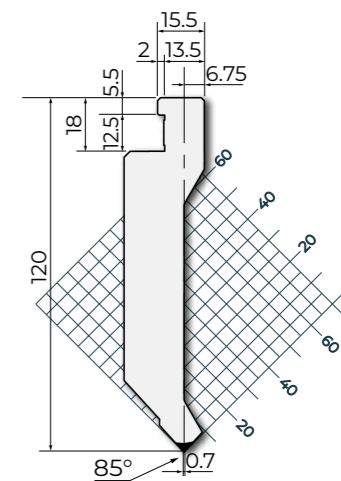
CP200.85.07-A		
1020 mm	€ 1.284,-	49.0 kg
1250 mm	€ 2.203,-	60.0 kg <b>F</b>

C45: 560-710 N/mm<sup>2</sup> 700 kN/m max.

CP120.85.07		
1020 mm	€ 244,-	17.9 kg
1250 mm	€ 392,-	21.9 kg <b>F</b>



85°



85°

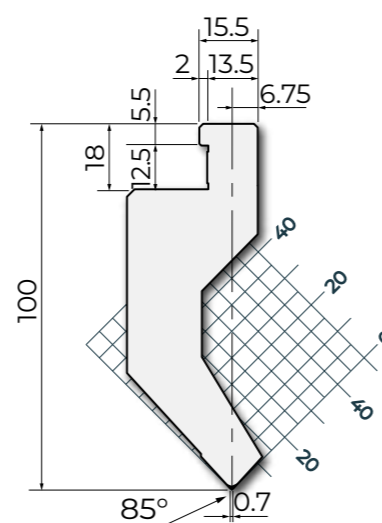
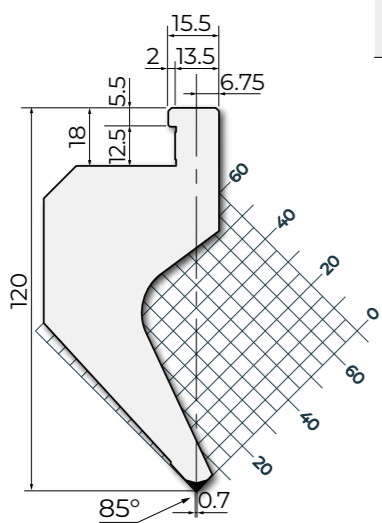


C45: 560-710 N/mm<sup>2</sup> 450 kN/m max.

CP120.85.07-A		
1020 mm	€ 432,-	25.5 kg
1250 mm	€ 551,-	49.0 kg <b>F</b>

C45: 560-710 N/mm<sup>2</sup> 500 kN/m max.

CP100.85.07-A		
1020 mm	€ 275,-	17.0 kg
1250 mm	€ 406,-	49.0 kg <b>F</b>



85°

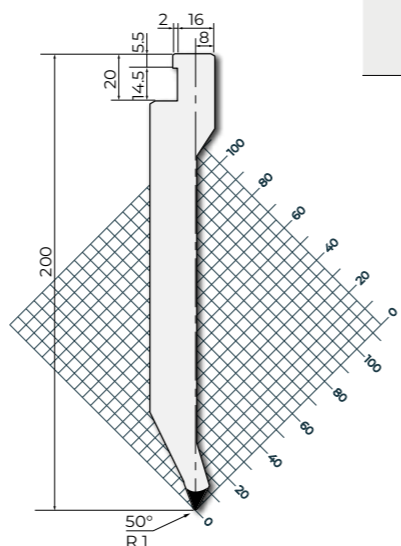
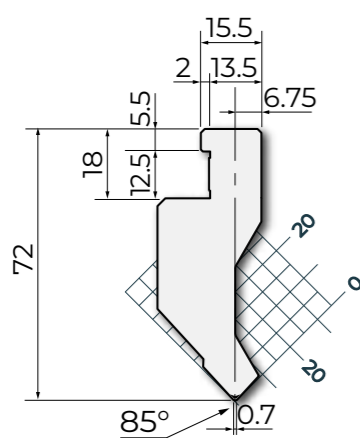
85°

C45: 560-710 N/mm<sup>2</sup> 700 kN/m max.

CP72.85.07		
1020 mm	€ 205,-	10.0 kg
1250 mm	€ 306,-	49.0 kg <b>F</b>

42Cr: 900-1150 N/mm<sup>2</sup> 1000 kN/m max.

CP200.50.R1		
1020 mm	€ 908,-	49.0 kg
1250 mm	€ 1.713,-	38.0 kg <b>F</b>



85°

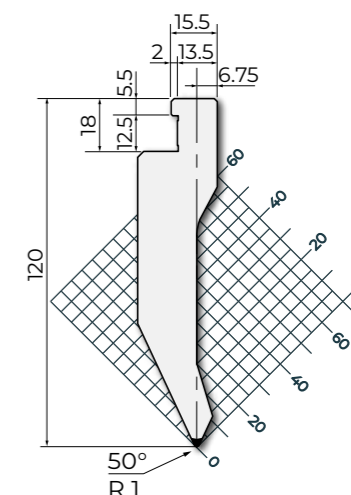
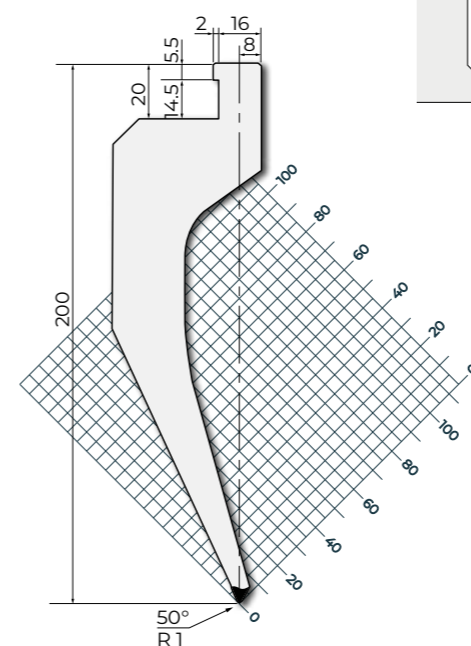
50°

42Cr: 900-1150 N/mm<sup>2</sup> 550 kN/m max.

CP200.50.R1-A		
1020 mm	€ 1.352,-	52.0 kg
1250 mm	€ 2.265,-	47.0 kg <b>F</b>

C45: 560-710 N/mm<sup>2</sup> 1000 kN/m max.

CP120.50.R1		
1020 mm	€ 460,-	17.0 kg
1250 mm	€ 737,-	38.0 kg <b>F</b>



50°

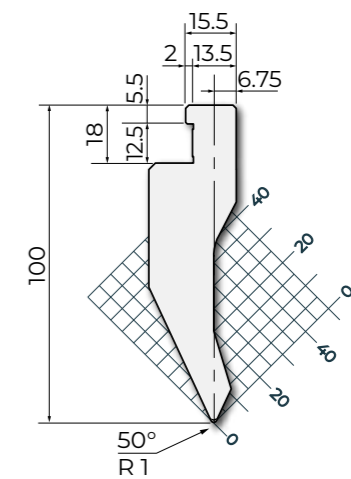
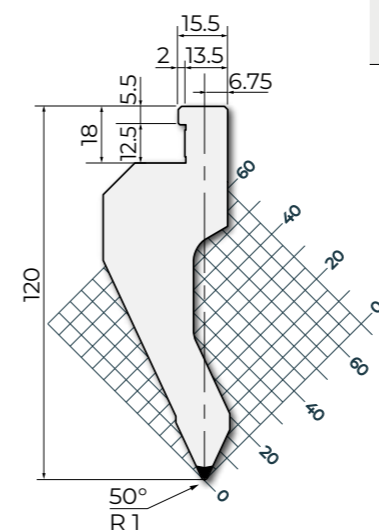
50°

42Cr: 900-1150 N/mm<sup>2</sup> 550 kN/m max.

CP120.50.R1-A		
1020 mm	€ 665,-	21.0 kg
1250 mm	€ 782,-	38.0 kg <b>F</b>

42Cr: 900-1150 N/mm<sup>2</sup> 1000 kN/m max.

CP100.50.R1		
1020 mm	€ 421,-	13.0 kg
1250 mm	€ 680,-	38.0 kg <b>F</b>



50°

50°

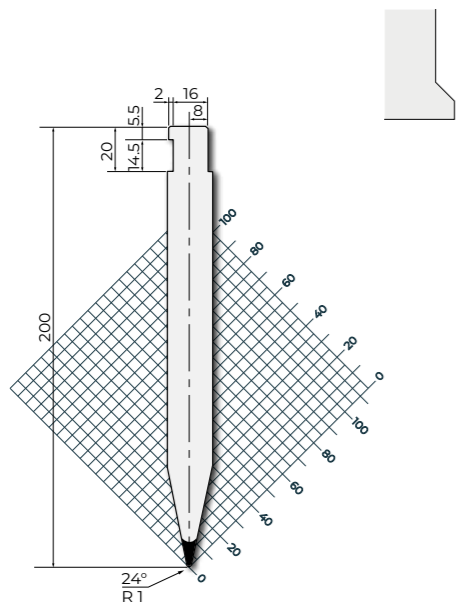
RX



C45: 560-710 N/mm<sup>2</sup> 1300 kN/m max.

**CP200.24.R1**

1020 mm	€ 888,-	49.0 kg
1250 mm	€ 1.688,-	38.0 kg <b>F</b>



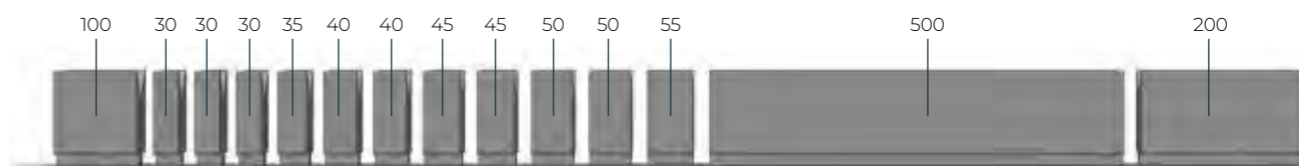
**24°**



**LONGITUD ESTÁNDAR Y FRACCIONADO**

1020 mm

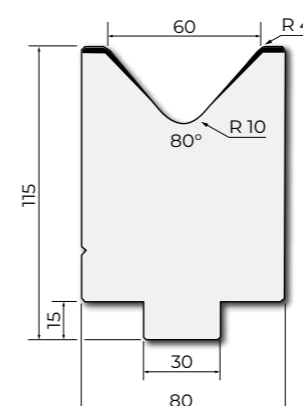
Largo total 1250 mm



C45: 560-710 N/mm<sup>2</sup> 1200 kN/m max.

**M115.80.60**

1020 mm	☺	60.0 kg
1250 mm	☺	73.6 kg <b>F</b>

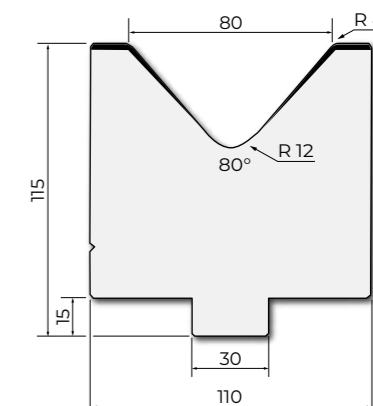


**80°**

C45: 560-710 N/mm<sup>2</sup> 1000 kN/m max.

**M115.80.80**

1020 mm	☺	80.0 kg
1250 mm	☺	98.0 kg <b>F</b>

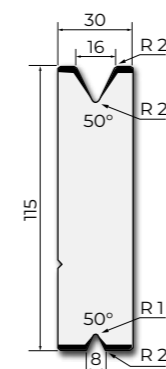


**80°**

C45: 560-710 N/mm<sup>2</sup> 600 kN/m max.

**M115.50.16**

1020 mm	☺	26.5 kg
1250 mm	☺	32.4 kg <b>F</b>

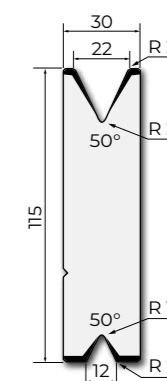


**50°**

C45: 560-710 N/mm<sup>2</sup> 500 kN/m max.

**M115.50.22**



1020 mm	☺	25.5 kg
1250 mm	☺	31.2 kg <b>F</b>

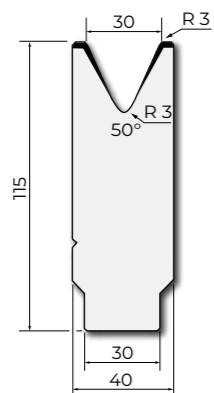


**50°**

C45: 560-710 N/mm<sup>2</sup> 400 kN/m max.

**M115.50.30**


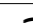
1020 mm		34.5 kg
1250 mm		43.0 kg <b>F</b>

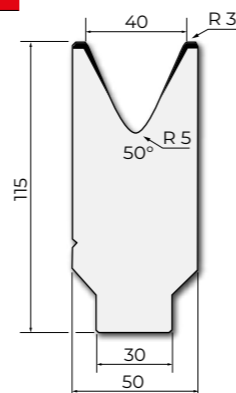


50° 

C45: 560-710 N/mm<sup>2</sup> 400 kN/m max.

**M115.50.40**



1020 mm		36.0 kg
1250 mm		44.0 kg <b>F</b>

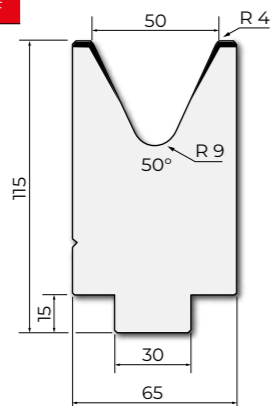


50° 

C45: 560-710 N/mm<sup>2</sup> 600 kN/m max.

**M115.50.50**



1020 mm		45.5 kg
1250 mm		55.7 kg <b>F</b>

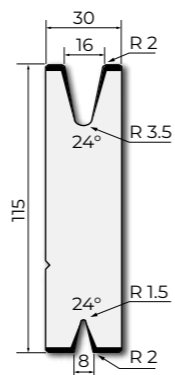


50° 

C45: 560-710 N/mm<sup>2</sup> 8: 700 kN/m max. - 16: 300 kN/m max.

**M115.24.16**

1020 mm		24.9 kg
1250 mm		31.0 kg <b>F</b>



24° 

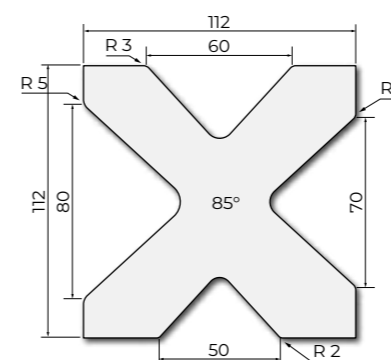


C45: 560-710 N/mm<sup>2</sup> Ver tabla

**MC112.3050**

3050 mm		188.0 kg
---------	---	----------


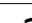
	V1	V2	V3	V4
V [mm]	60	70	50	80
°	85°	85°	85°	85°
R [mm]	3.0	3.0	2.0	5.0
kN/m max.	850	900	800	800



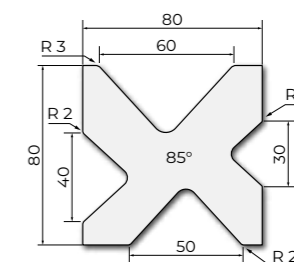
85° 

C45: 560-710 N/mm<sup>2</sup> Ver tabla

**MC80.2050 / MC80.3050**

2050 mm		66.0 kg
3050 mm		98.0 kg <b>F</b>



	V1	V2	V3	V4
V [mm]	60	30	50	40
°	85°	85°	85°	85°
R [mm]	3.0	2.0	2.0	1.0
kN/m max.	750	750	750	750



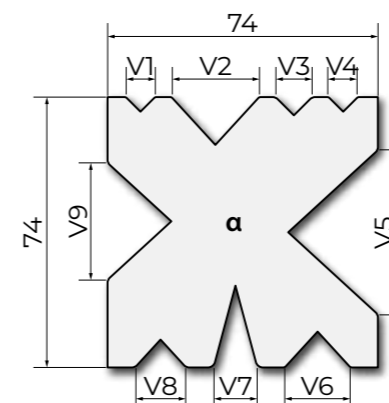
85° 

C45: 560-710 N/mm<sup>2</sup> Ver tabla

**MC74.2050 / MC74.3050**

2050 mm		67.0 kg
3050 mm		101.0 kg <b>F</b>

	V1	V2	V3	V4	V5	V6	V7	V8	V9
V [mm]	8	24	10	8	45	18	12	14	32
°	90°	85°	90°	90°	85°	85°	30°	85°	85°
R [mm]	0.8	0.8	2.0	0.8	2.0	1.0	2.0	2.0	2.0
kN/m max.	500	600	600	500	550	500	550	550	550



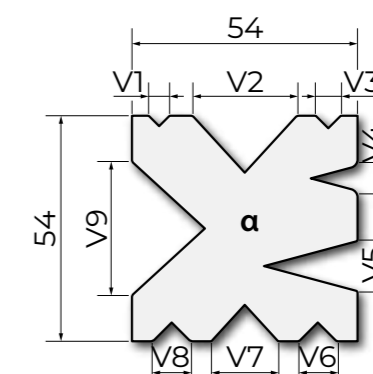


C45: 560-710 N/mm<sup>2</sup> Ver tabla

**MC54.2050 / MC54.3050**

2050 mm		35.6 kg
3050 mm		53.0 kg <b>F</b>


	V1	V2	V3	V4	V5	V6	V7	V8	V9
V [mm]	6	25	6	6	12	9	16	9	32
°	90°	85°	90°	30°	30°	90°	85°	90°	85°
R [mm]	0.5	1.0	0.5	2.0	0.5	1.0	0.5	1.5	1.0
kN/m max.	500	600	600	500	550	500	550	550	550



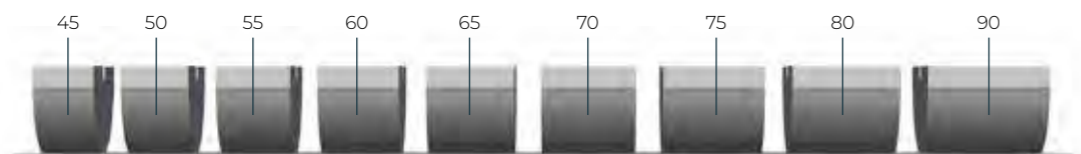




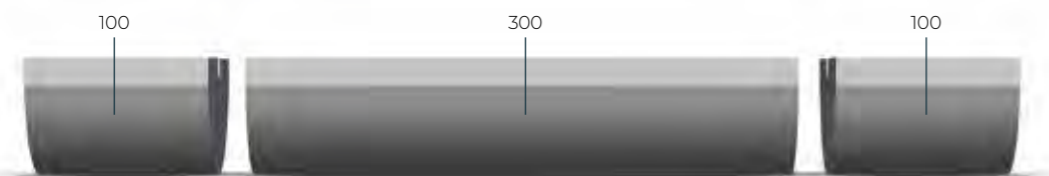
► ÚTILES PARA CURVAR

525 mm 

Largo total 590 mm

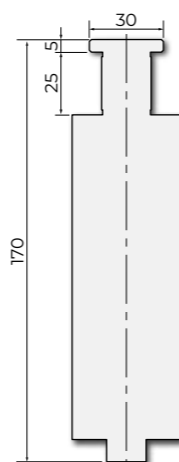
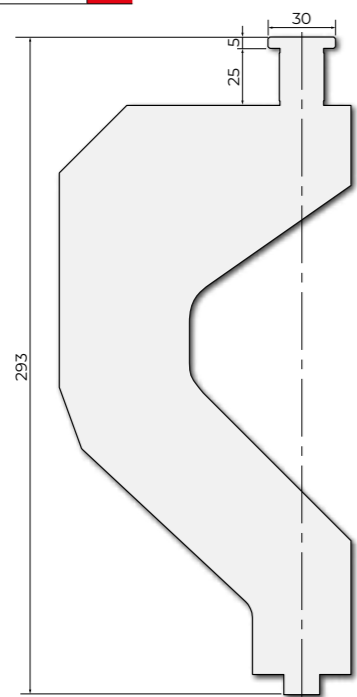


Largo total 500 mm

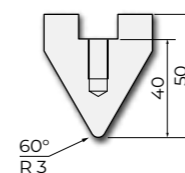


C45: 560-710 N/mm <sup>2</sup>			1000 kN/m max.
GASP293-16			
522 mm	€ 2.256,-	83.0 kg	
563 mm	€ 3.485,-	89.5 kg	F
491 mm	€ 2.566,-	78.0 kg	F

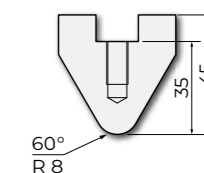
C45: 560-710 N/mm <sup>2</sup>			1800 kN/m max.
GASP170-16			
522 mm	€ 1.129,-	24.0 kg	
563 mm	€ 1.665,-	4.5 kg	F
491 mm	€ 1.269,-	4.5 kg	F



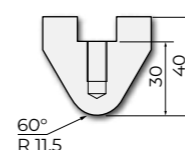
C45: 560-710 N/mm <sup>2</sup>			1000 kN/m max.
GASP40.60.03			
525 mm	€ 360,-	4.7 kg	
590 mm	€ 541,-	5.3 kg	FX
500 mm	€ 439,-	4.5 kg	F



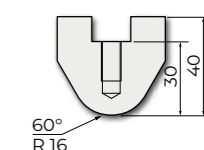
C45: 560-710 N/mm <sup>2</sup>			1000 kN/m max.
GASP35.60.08			
525 mm	€ 347,-	4.7 kg	
590 mm	€ 526,-	5.3 kg	FX
500 mm	€ 424,-	4.5 kg	F



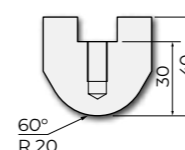
C45: 560-710 N/mm <sup>2</sup>			1000 kN/m max.
GASP30.60.11.5			
525 mm	€ 347,-	4.2 kg	
590 mm	€ 526,-	4.7 kg	FX
500 mm	€ 424,-	4.0 kg	F



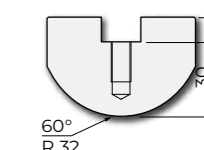
C45: 560-710 N/mm <sup>2</sup>			1000 kN/m max.
GASP30.60.16			
525 mm	€ 347,-	4.7 kg	
590 mm	€ 526,-	5.3 kg	FX
500 mm	€ 424,-	4.5 kg	F



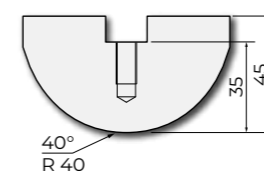
C45: 560-710 N/mm <sup>2</sup>			1000 kN/m max.
GASP30.60.20			
525 mm	€ 347,-	5.0 kg	
590 mm	€ 526,-	5.6 kg	FX
500 mm	€ 424,-	4.3 kg	F



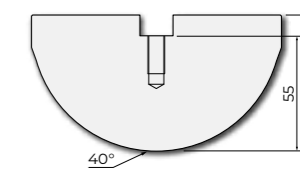
C45: 560-710 N/mm <sup>2</sup>			1000 kN/m max.
GASP30.60.32			
525 mm	€ 378,-	7.0 kg	
590 mm	€ 572,-	7.8 kg	FX
500 mm	€ 463,-	6.7 kg	F



C45: 560-710 N/mm <sup>2</sup>			1500 kN/m max.
GASP35.40.40			
525 mm	€ 419,-	10.5 kg	
590 mm	€ 604,-	11.8 kg	FX
500 mm	€ 512,-	10.0 kg	F



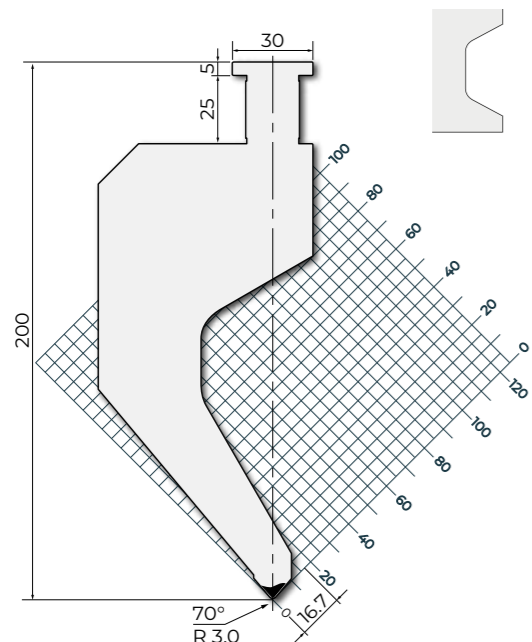
C45: 560-710 N/mm <sup>2</sup>			1800 kN/m max.
GASP55.40.60			
525 mm	€ 572,-	24.4 kg	
590 mm	€ 768,-	27.4 kg	FX
500 mm	€ 670,-	23.2 kg	F



42Cr: 900-1150 N/mm<sup>2</sup> 1000 kN/m max.

**GASP200.70.R3-30**

525 mm	€ 1.337,-	31.8 kg	
495 mm	€ 1.545,-	30.0 kg	F
500 mm	€ 1.475,-	30.3 kg	F

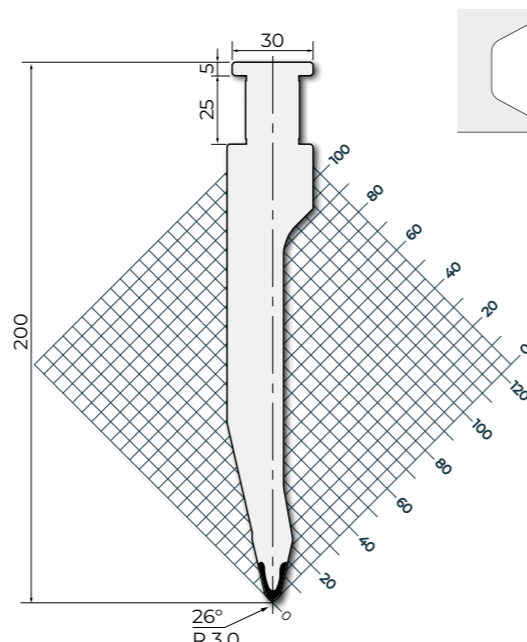


**70°**

42Cr: 900-1150 N/mm<sup>2</sup> 1300 kN/m max.

**GASP200.26.R3-30**

522 mm	€ 707,-	16.9 kg	
563 mm	€ 915,-	10.6 kg	F
491 mm	€ 845,-	10.7 kg	F

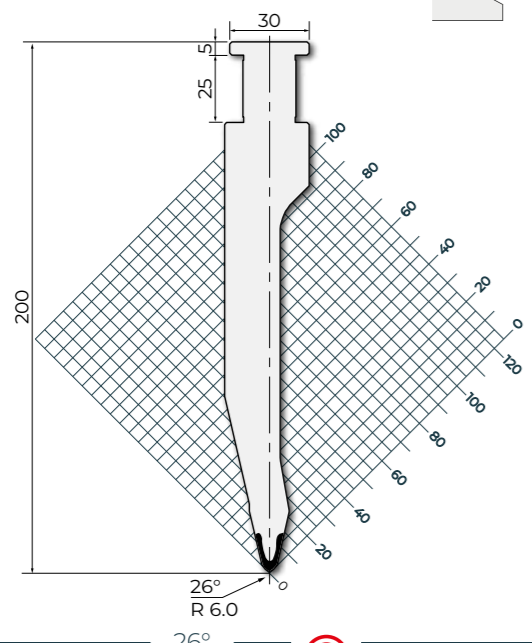


**26°**

42Cr: 900-1150 N/mm<sup>2</sup> 1300 kN/m max.

**GASP200.26.R6-30**

525 mm	€ 707,-	16.9 kg	
495 mm	€ 915,-	10.6 kg	F
500 mm	€ 845,-	10.7 kg	F



**26°**

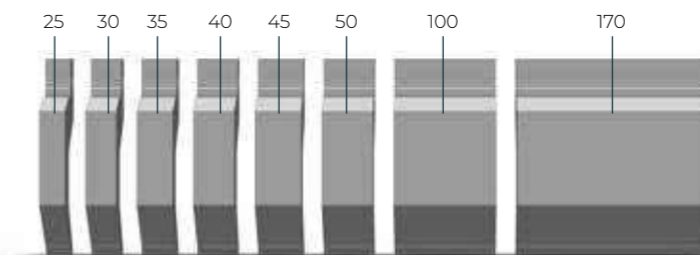


**LONGITUD ESTÁNDAR Y FRACCIONADO**

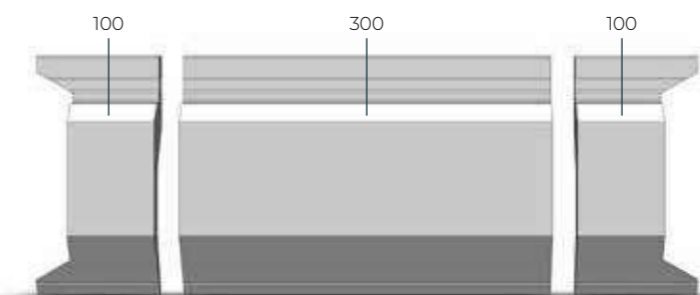
525 mm



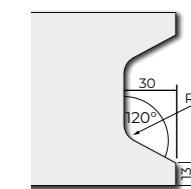
Largo total 495 mm



Largo total 500 mm



**Bigornias**



**RX**

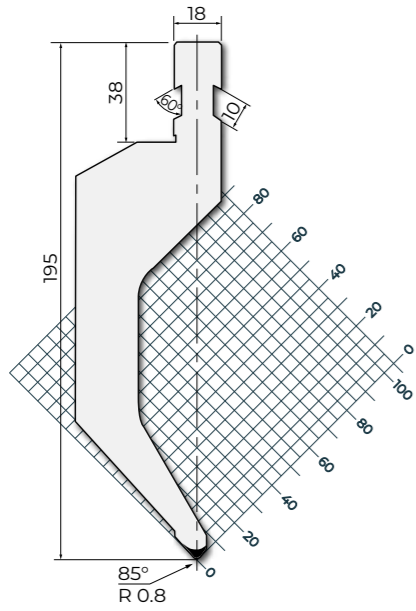




42Cr: 900-1150 N/mm<sup>2</sup> 1000 kN/m max.

**PAC195.85.R08**

525 mm	€ 712,-	20.6 kg	
495 mm	€ 1.079,-	19.4 kg	F
500 mm	€ 879,-	19.6 kg	F

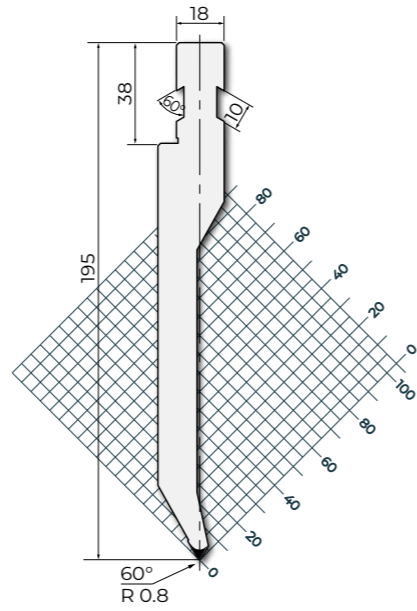


**85°**

42Cr: 900-1150 N/mm<sup>2</sup> 1000 kN/m max.

**PAC195.60.R08**

522 mm	€ 464,-	12.0 kg	
563 mm	€ 816,-	11.3 kg	F
491 mm	€ 696,-	11.4 kg	F

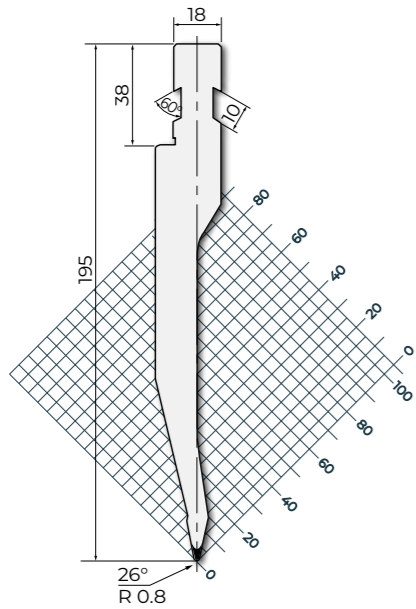


**60°**

42Cr: 900-1150 N/mm<sup>2</sup> 1000 kN/m max.

**PAC195.26.R08**

525 mm	€ 464,-	12.0 kg	
495 mm	€ 816,-	11.3 kg	F
500 mm	€ 696,-	11.4 kg	F

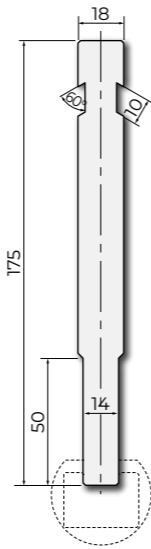


**26°**

C45: 560-710 N/mm<sup>2</sup> 1000 kN/m max.

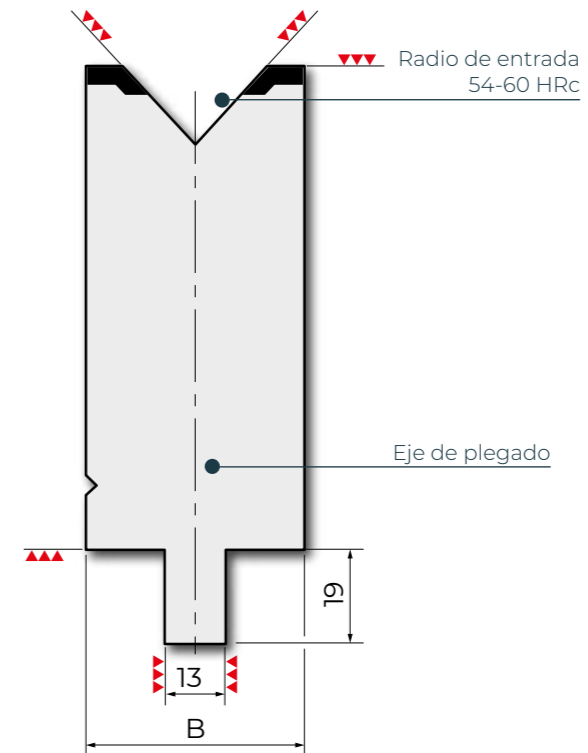
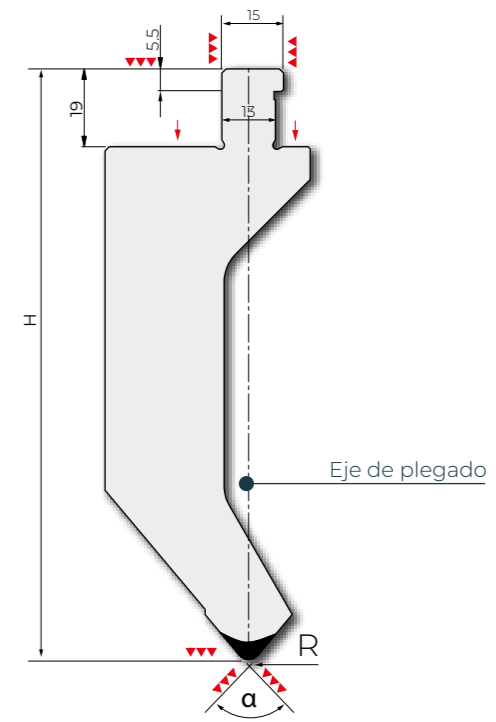
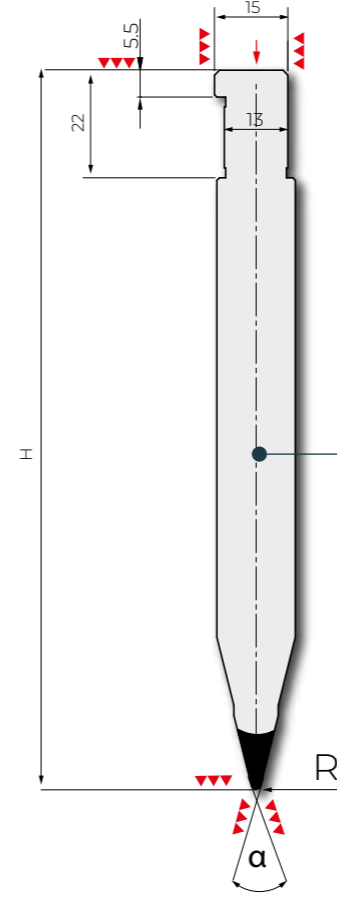
**PAC175.14**

830 mm	€ 321,-	18.0 kg	
412 mm	€ 184,-	9.0 kg	

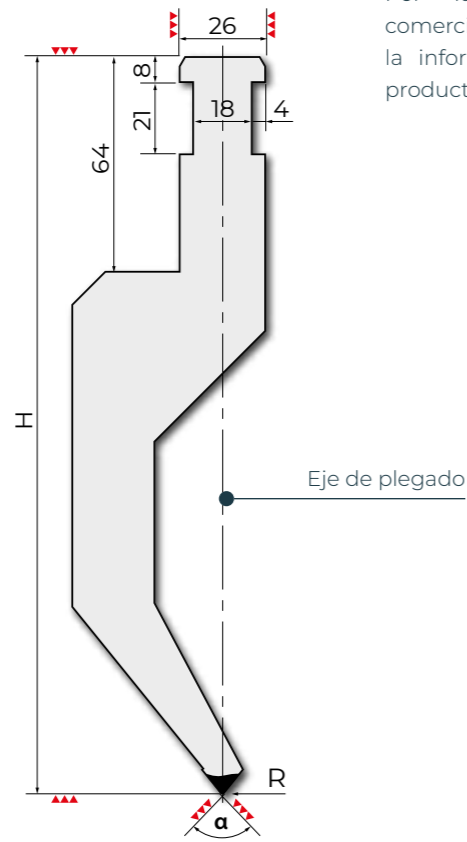


ATAQUE

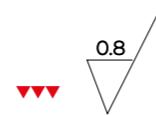
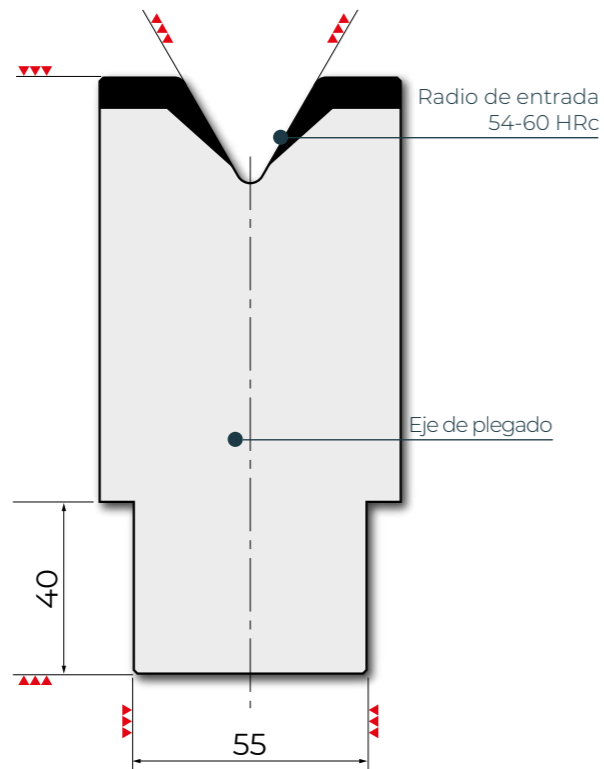
Por favor, póngase en contacto con [comercial@rolleriberica.com](mailto:comercial@rolleriberica.com) para obtener toda la información sobre la gama completa de productos



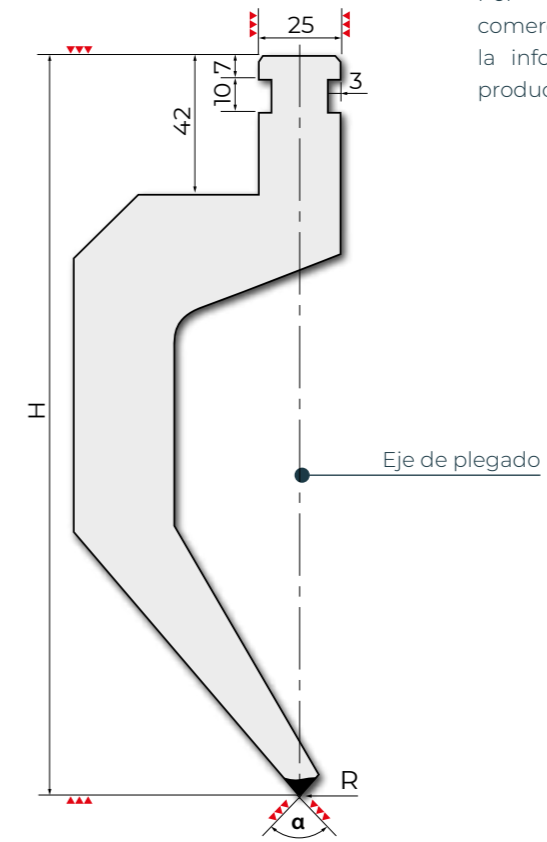
ATAQUE



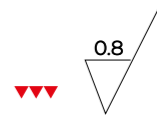
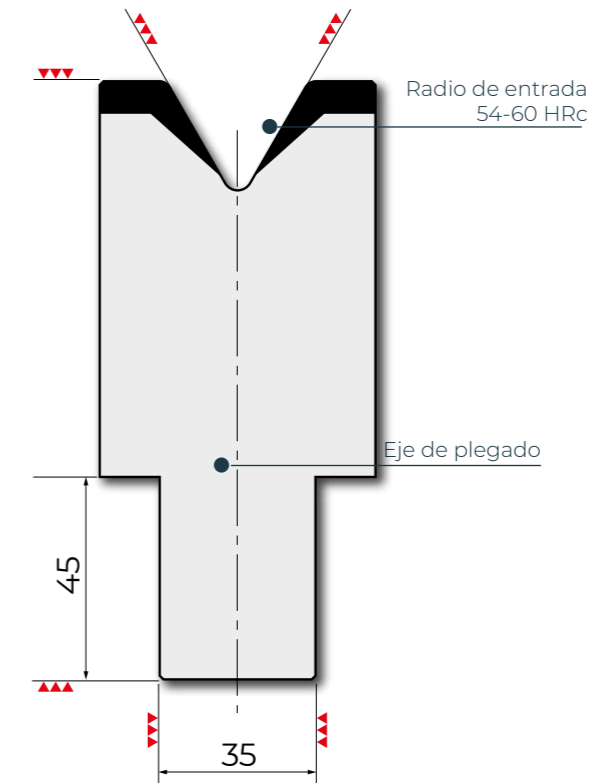
Por favor, póngase en contacto con [comercial@rolleriberica.com](mailto:comercial@rolleriberica.com) para obtener toda la información sobre la gama completa de productos



ATAQUE



Por favor, póngase en contacto con [comercial@rolleriberica.com](mailto:comercial@rolleriberica.com) para obtener toda la información sobre la gama completa de productos



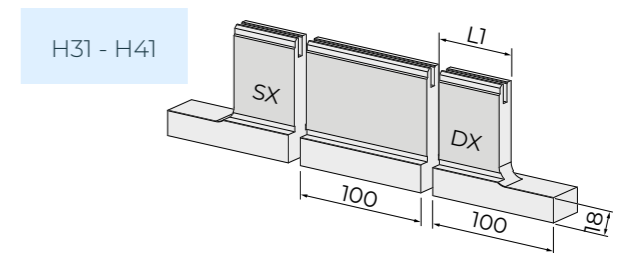
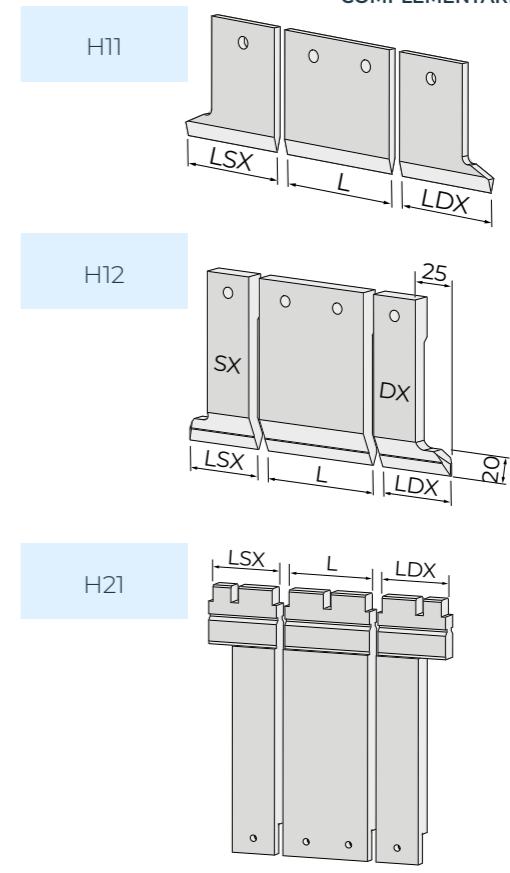
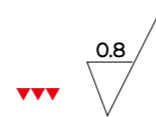
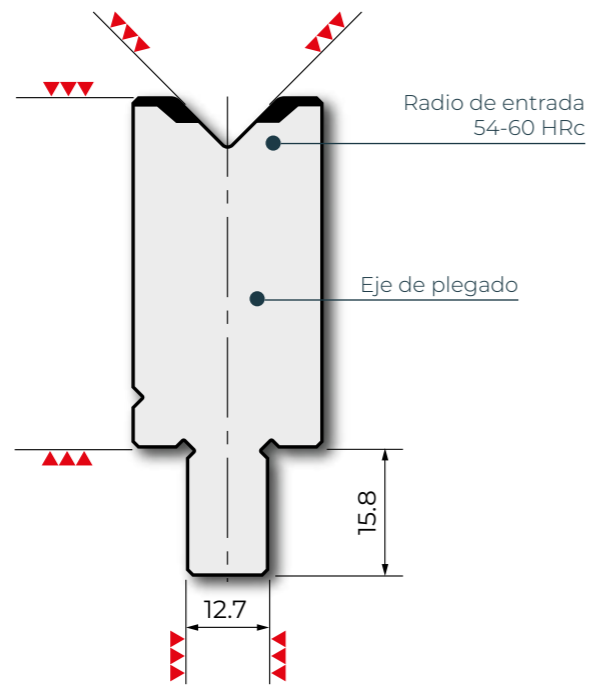
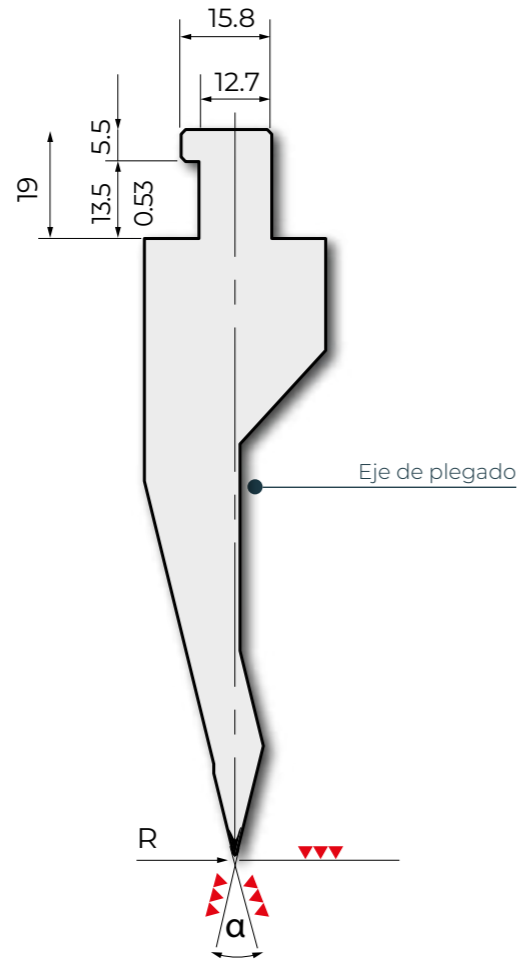


ATAQUE

ATAQUE

SOLICITAR **NUEVO** CATÁLOGO COMPLEMENTARIO DE **ROLLERI**

SOLICITAR **NUEVO** CATÁLOGO COMPLEMENTARIO DE **ROLLERI**

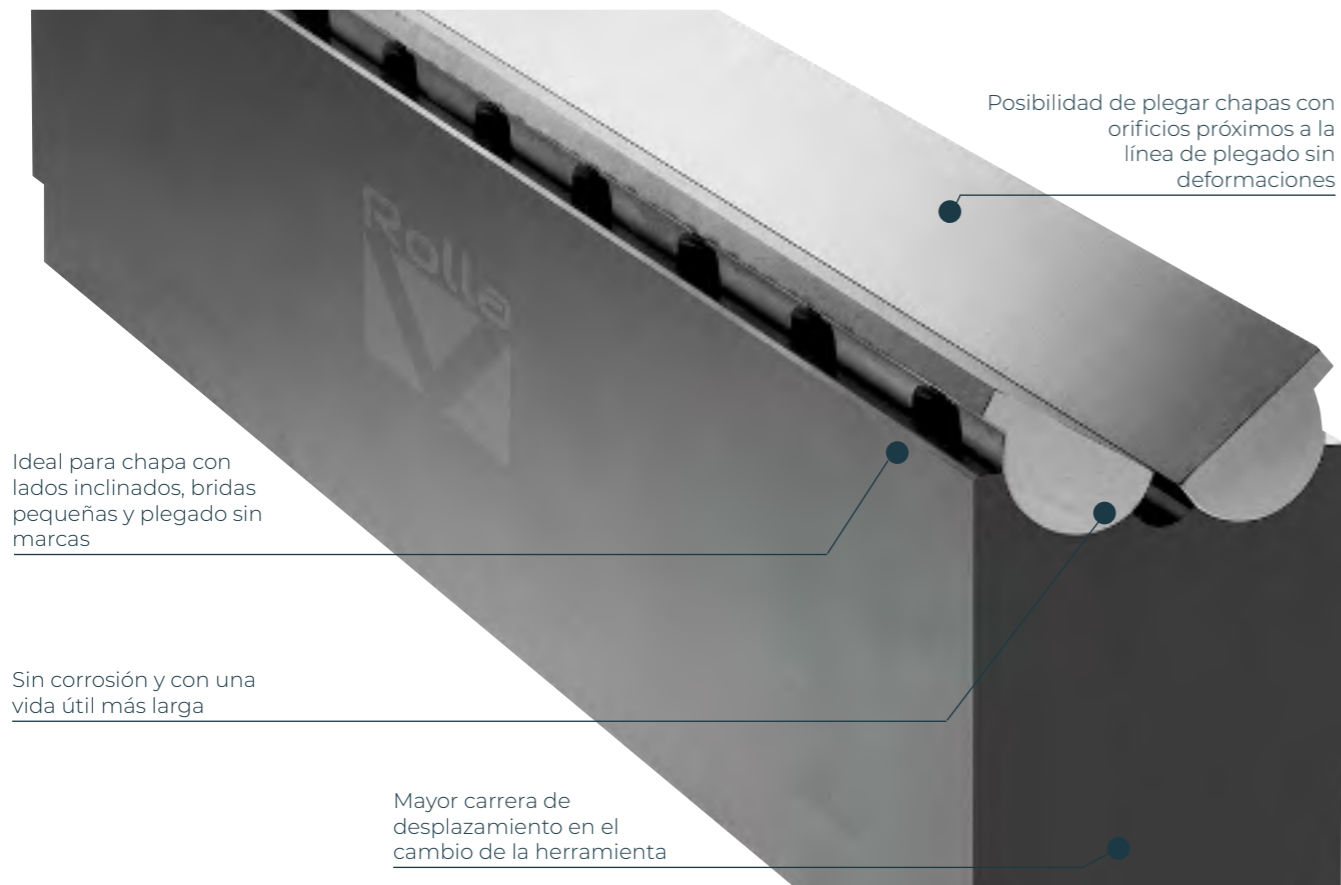


RX



## MATRICES ROLLA-V ONYX ROLLERI

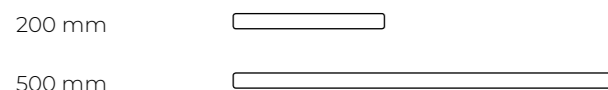
<b>Introducción</b>	194 - 196
<b>Matrices Rolla-V Onyx</b>	197 - 201
Modelo 1	197
Modelo 2	198
Modelo 2.5	199
Modelo 3	200
Modelo 4	201
<b>Matrices de V variable</b>	202 - 203



	Con V [mm]	Resistencia máx. (kN/m)	Espesor de la chapa [mm]	Ángulo mínimo	Fuerza necesaria -acero con máx. 450 N/mm <sup>2</sup> (kN/m)	Fuerza necesaria -inox con máx. 700N/mm <sup>2</sup> (kN/m)	Borde mínimo exterior [mm]	Máx. radio exterior
<b>MODELO 1</b> el espesor máximo aconsejado es e =1.5 mm [hasta 2.0 mm es posible*]	8	1000	0.70	40°	50	70	3.0	3.0
		1000	1.10	35°	130	200	3.9	2.6
		1000	1.50	35°	270	410	4.2	2.2
<b>MODELO 2</b> el espesor máximo aconsejado es e =3.0 mm [hasta 4.0 mm es posible*]	15	1500	2.00	59°	210	320	8.5	6.0
		1500	3.00	47°	550	850	9.3	5.0
		1500	3.20	47°	650	1000	9.3	4.8
<b>MODELO 2.5</b> el espesor máximo aconsejado es e =5.0 mm [hasta 6.35 mm es posible*]	28	2500	2.00	46°	100	150	18.6	13.2
		2500	4.00	46°	470	730	18.6	12.0
		2500	6.00	55°	1270	1960	18.6	9.8
<b>MODELO 3</b> el espesor máximo aconsejado es e =6.3 mm [hasta 8.0 mm es posible*]	38	2500	2.00	68°	70	110	22.5	13.9
		2500	4.00	47°	340	500	22.5	11.9
		2500	6.00	50°	900	1300	22.5	9.9
<b>MODELO 4</b> el espesor máximo aconsejado es e =16.0 mm	85	3000	6.00	78°	260	440	56.6	36.4
		3000	8.00	76°	500	840	56.6	36.4
		3000	12.00	73°	1290	2150	56.6	36.4

(\*) en función del tipo de material a plegar y del tipo de punzón (kN/m)

MEDIDAS ESTÁNDAR



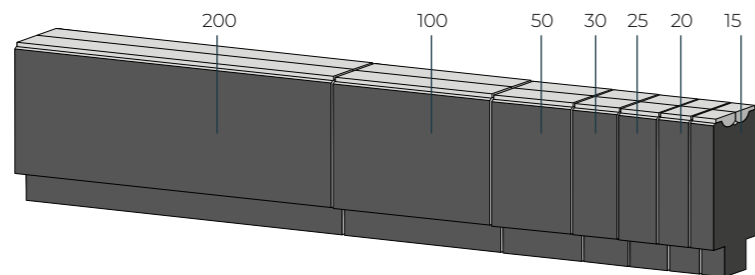
Rolla-V Onyx Ref.	Modelo	Ataque	Compatibilidad	Herramientas Roller Tipo
RVP	1, 2, 3	60 mm	Son compatibles con plegadoras de base 60 mm: ACL, Accurpress, AM Machinery, Amada, Atlantic, Adira, Baykal, BL, Boschert, Boutillon, Bystronic-BeyelerEuro-B, Coastone, Colgar, Dener, Deratech, Durmazlar, Ermaksan, Farina, Gade, Gasparini, Gizelis, Haco, Hindustan, Iturraspe, Jfy, LFK, MVD, Newton, Prima Power, Promecam, Rico, Salvagnini, Schiavi, SMD, Sorg, Somo, Vicia, Vimercati, Warcom, Yangli, Yawei, Ysd, etc.	R1
RVS	1, 2, 3	14 mm	Amada con 1-V	R1
RVT	1, 2, 3	13 mm	Son compatibles con plegadoras de base 60 mm: Bystronic, Beyeler, Edwards, Safan, SMD, Trumpf	R2 R3
RVT90	1, 2, 3	12.7 mm	Son compatibles con plegadoras de base 60 mm: LVD	R4
RVM	2.5, 3, 4	Ataque variable	Todas las plegadoras (ataque variable)	-



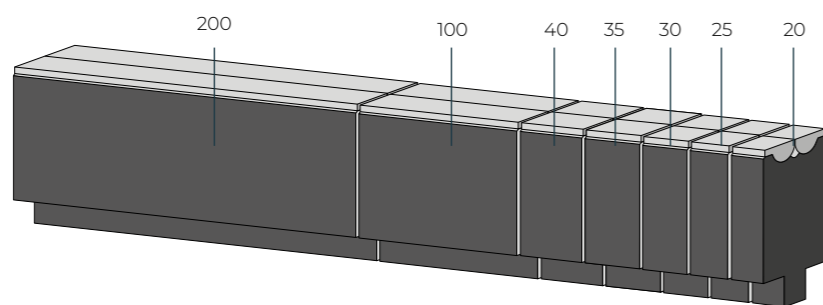


MÓDULOS FRACCIONADOS

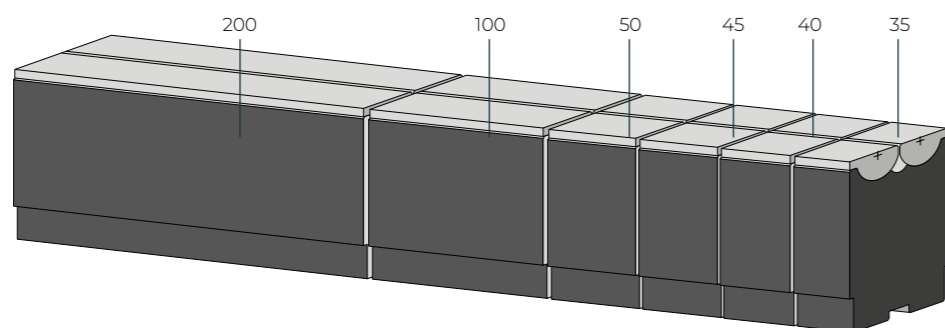
Modelo 1: 440 mm - 7 segmentos



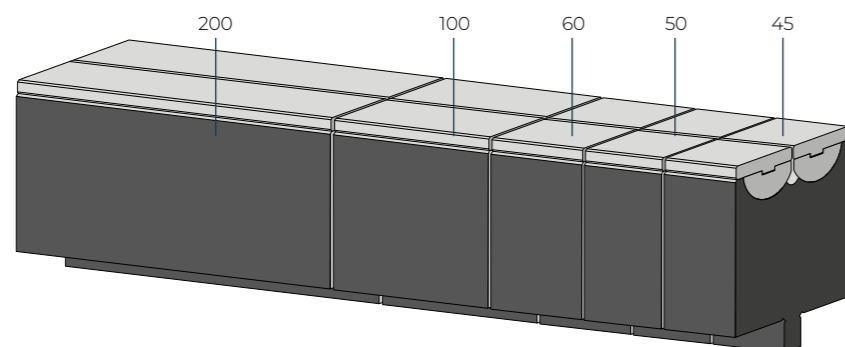
Modelo 2: 450 mm - 7 segmentos



Modelo 2.5: 470 mm - 6 segmentos



Modelo 3: 455 mm - 5 segmentos



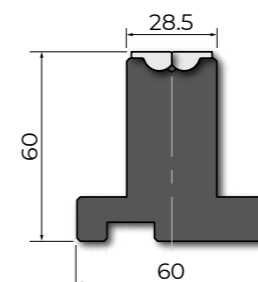
Matrices Rolla-V Onyx - Modelo 1



42Cr: 900-1150 N/mm<sup>2</sup> Toolox 44 1000 kN/m max.

**RVP60-1**

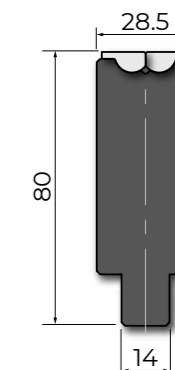
500 mm	€ 837,-	6.9 kg
440 mm	€ 1.655,-	6.1 kg <b>F</b>



42Cr: 900-1150 N/mm<sup>2</sup> Toolox 44 1000 kN/m max.

**RVS80-1**

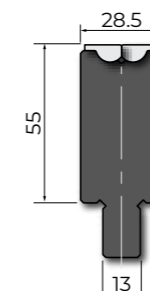
500 mm	€ 795,-	6.3 kg
440 mm	€ 2.016,-	5.8 kg <b>F</b>



42Cr: 900-1150 N/mm<sup>2</sup> Toolox 44 1000 kN/m max.

**RVT55-1**

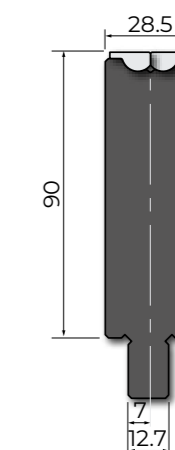
500 mm	€ 795,-	5.5 kg
440 mm	€ 2.016,-	5.0 kg <b>F</b>



42Cr: 900-1150 N/mm<sup>2</sup> Toolox 44 1000 kN/m max.

**RVT90-1**

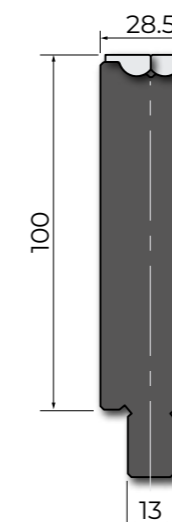
500 mm	€ 967,-	9.4 kg
440 mm	€ 2.133,-	7.8 kg <b>F</b>



42Cr: 900-1150 N/mm<sup>2</sup> Toolox 44 1000 kN/m max.

**RVT100-1**

500 mm	€ 852,-	9.4 kg
440 mm	€ 2.133,-	8.6 kg <b>F</b>



MODELO 1 - Características

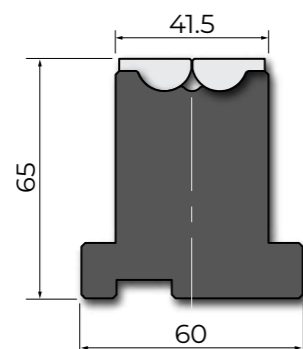
Espesor máximo aconsejado	≈1.5 mm [2.0 mm posible]		
Espesor de la chapa [mm]	0.70	1.10	1.50
Con V [mm]	8		
Resistencia máx. (kN/m)	1000	1000	1000
Ángulo mínimo	40°	35°	35°
Fuerza necesaria -acero con máx. 450 N/mm <sup>2</sup> (kN/m)	50	130	270
Fuerza necesaria -inox con máx. 700N/mm <sup>2</sup> (kN/m)	70	200	410
Borde mínimo exterior [mm]	3.0	3.9	4.2
Máx. radio exterior [mm]	3.0	2.6	2.2

## Matrices Rolla-V Onyx - Modelo 2

42Cr: 900-1150 N/mm<sup>2</sup> Toolox 44 1500 kN/m max.

### RVP65-2

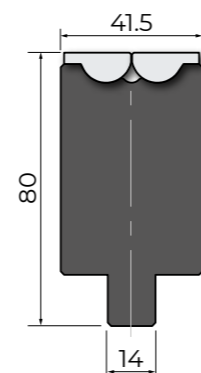
500 mm	€ 894,-	7.9 kg
450 mm	€ 1.967,-	7.4 kg <b>F</b>



42Cr: 900-1150 N/mm<sup>2</sup> Toolox 44 1500 kN/m max.

### RVS80-2

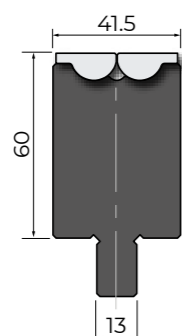
500 mm	€ 887,-	8.3 kg
450 mm	€ 2.263,-	7.8 kg <b>F</b>



42Cr: 900-1150 N/mm<sup>2</sup> Toolox 44 1500 kN/m max.

### RVT60-2

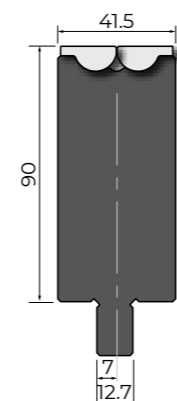
500 mm	€ 903,-	7.9 kg
450 mm	€ 2.263,-	7.4 kg <b>F</b>



42Cr: 900-1150 N/mm<sup>2</sup> Toolox 44 1500 kN/m max.

### RVT90-2

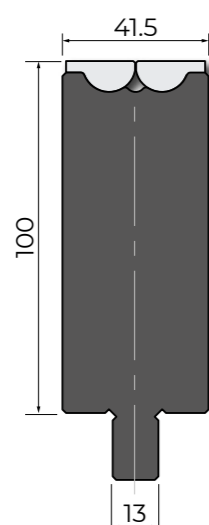
500 mm	€ 942,-	11.3 kg
450 mm	€ 2.343,-	10.6 kg <b>F</b>



42Cr: 900-1150 N/mm<sup>2</sup> Toolox 44 1500 kN/m max.

### RVT100-2

500 mm	€ 942,-	12.4 kg
450 mm	€ 2.343,-	11.7 kg <b>F</b>



MODELO 2 - Características			
Espesor máximo aconsejado	=3.0 mm [4.0 mm posible]		
Espesor de la chapa [mm]	2.00	3.00	3.20
Con V [mm]	15		
Resistencia máx. (kN/m)	1500	1500	1500
Ángulo mínimo	59°	47°	47°
Fuerza necesaria -acero con máx. 450 N/mm <sup>2</sup> (kN/m)	210	550	650
Fuerza necesaria -inox con máx. 700N/mm <sup>2</sup> (kN/m)	320	850	1000
Borde mínimo exterior [mm]	8.5	9.3	9.3
Máx. radio exterior [mm]	6.0	5.0	4.8

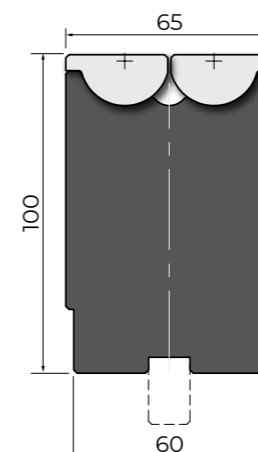
## Matrices Rolla-V Onyx - Modelo 2.5



42Cr: 900-1150 N/mm<sup>2</sup> Toolox 44 2000 kN/m max.

### RVM2.5

Sin chaveta		
500 mm	€ 1.448,-	22.0 kg
470 mm	€ 3.766,-	21.0 kg <b>F</b>
Con chaveta 13 x 20 mm		
500 mm	€ 1.511,-	23.5 kg
470 mm	€ 3.955,-	22.4 kg <b>F</b>
Con chaveta 12.7 x 19 mm		
500 mm	€ 1.511,-	23.5 kg
470 mm	€ 3.955,-	22.4 kg <b>F</b>



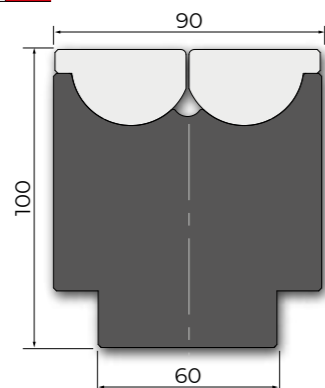
MODELO 2.5 - Características			
Espesor máximo aconsejado	=5.0 mm [6.35 mm posible]		
Espesor de la chapa [mm]	2.00	4.00	6.00
Con V [mm]	28		
Resistencia máx. (kN/m)	2500	2500	2500
Ángulo mínimo	46°	46°	55°
Fuerza necesaria -acero con máx. 450 N/mm <sup>2</sup> (kN/m)	100	470	1270
Fuerza necesaria -inox con máx. 700N/mm <sup>2</sup> (kN/m)	150	730	1960
Borde mínimo exterior [mm]	18.6	18.6	18.6
Máx. radio exterior [mm]	13.2	12.0	9.8

## Matrices Rolla-V Onyx - Modelo 3

42Cr: 900-1150 N/mm<sup>2</sup> Toolox 33 2500 kN/m max.

### RVP100-3

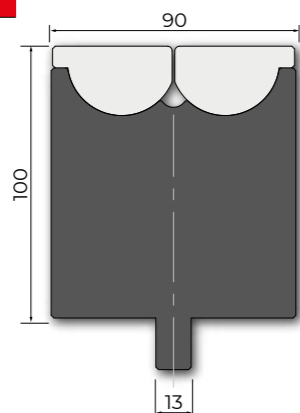
500 mm	€ 1.609,-	28.8 kg
40 mm	€ 4.009,-	26.2 kg <b>F</b>



42Cr: 900-1150 N/mm<sup>2</sup> Toolox 33 2500 kN/m max.

### RVT100-3

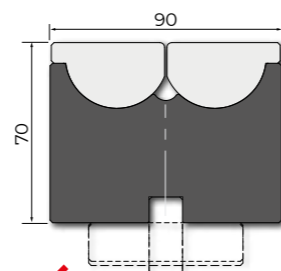
500 mm	€ 1.609,-	30.9 kg
440 mm	€ 4.359,-	28.5 kg <b>F</b>



42Cr: 900-1150 N/mm<sup>2</sup> Toolox 33 2500 kN/m max.

### RVM70-3

Sin chaveta		Con chaveta 13 mm	
500 mm	€ 1.502,-	20.6 kg	500 mm € 1.565,- 22.1 kg
455 mm	€ 3.904,-	18.7 kg <b>F</b>	455 mm € 4.093,- 20.1 kg <b>F</b>
Con base 60 mm		Con chaveta rebajada 12,7mm	
500 mm	€ 1.596,-	23.5 kg	500 mm € 1.565,- 22.1 kg
455 mm	€ 4.187,-	23.0 kg <b>F</b>	455 mm € 4.093,- 20.1 kg <b>F</b>



MODELO 3 - Características			
Espesor máximo aconsejado	=6.3 mm [8.0 mm posible]		
Espesor de la chapa [mm]	2.00	4.00	6.00
Con V [mm]	38		
Resistencia máx. (kN/m)	2500	2500	2500
Ángulo mínimo	68°	47°	50°
Fuerza necesaria -acero con máx. 450 N/mm <sup>2</sup> (kN/m)	70	340	900
Fuerza necesaria -inox con máx. 700N/mm <sup>2</sup> (kN/m)	110	550	1300
Borde mínimo exterior [mm]	22.5	22.5	22.5
Máx. radio exterior [mm]	13.9	11.9	9.9



## Matrices Rolla-V Onyx - Modelo 4

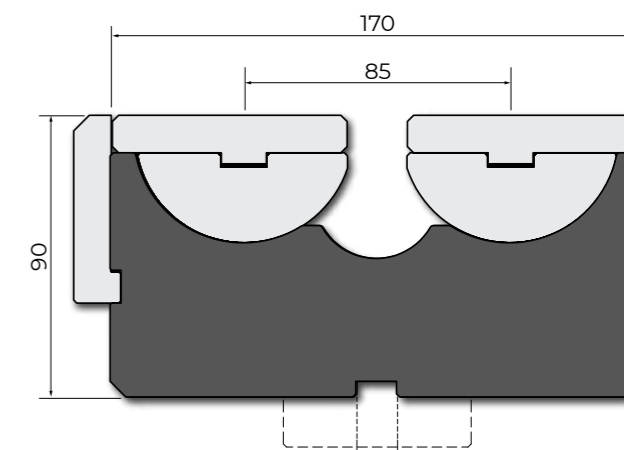


- ▶ Son adecuadas para el plegado de chapas de gran grosor y radios internos grandes.
- ▶ Las especificaciones de las chapas son tan variadas que no se puede proporcionar una guía detallada.
- ▶ La arista mínima depende del ángulo de plegado.
- ▶ La deformación de los orificios se reduce en gran medida gracias al uso de estas herramientas, sin embargo depende del material.
- ▶ El curvado de grandes radios, depende del retorno elástico, del tipo de material y de la longitud de la arista.

42Cr: 900-1150 N/mm<sup>2</sup> Toolox 33 3000 kN/m max.

### RVM90-4

Sin chaveta		Con chaveta 13 mm	
500 mm	€ 2.839,-	56.6 kg	500 mm € 2.901,- 58.1 kg
200 mm	€ 2.093,-	22.7 kg <b>F</b>	200 mm € 2.135,- 23.3 kg <b>F</b>
Con base 60 mm		Con chaveta rebajada 12,7mm	
500 mm	€ 2.933,-	61.3 kg	500 mm € 2.901,- 58.1 kg
200 mm	€ 2.156,-	24.6 kg <b>F</b>	200 mm € 2.135,- 23.3 kg <b>F</b>



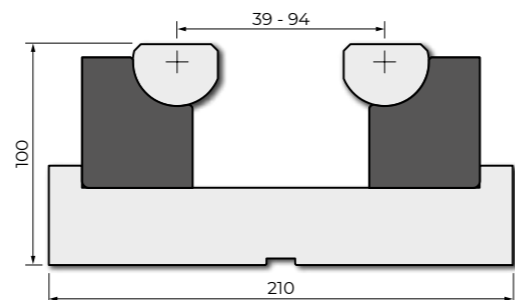
MODELO 4 - Características			
Espesor máximo aconsejado	=16.0 mm		
Espesor de la chapa [mm]	6.00	8.00	12.00
Con V [mm]	85		
Resistencia máx. (kN/m)	3000	3000	3000
Ángulo mínimo	78°	76°	73°
Fuerza necesaria -acero con máx. 450 N/mm <sup>2</sup> (kN/m)	260	500	1290
Fuerza necesaria -inox con máx. 700N/mm <sup>2</sup> (kN/m)	440	840	2150
Borde mínimo exterior [mm]	56.6	56.6	56.6
Máx. radio exterior [mm]	36.4	36.4	36.4

## Matrices Rolla-V Onyx - Matrices de V variable

- ▶ Posibilidad de plegar espesores diferentes sin cambiar útiles
- ▶ Posibilidad de plegar chapa de grande espesor (hasta 30mm)
- ▶ Reducción o eliminación de marcas de plegado en perfiles de grande espesor
- ▶ Insertos templados
- ▶ Posibilidad de montar insertos con formas diferentes para obtener perfiles específicos previa consulta con nuestros técnicos
- ▶ Ideal para perfiles con grandes radios
- ▶ Ideal para plegar perfiles con bordes pequeños
- ▶ Ideal para plegar chapa antideslizante
- ▶ Posibilidad de plegar sin deformación chapa cortada con lados oblicuos
- ▶ Ideal para plegar chapa dúctil como aluminio, bronce
- ▶ Ideal para plegar sin deformación perfiles con agujeros acerca de la línea de plegado

42Cr: 900-1150 N/mm<sup>2</sup> Toolox 33 2500 kN/m max.

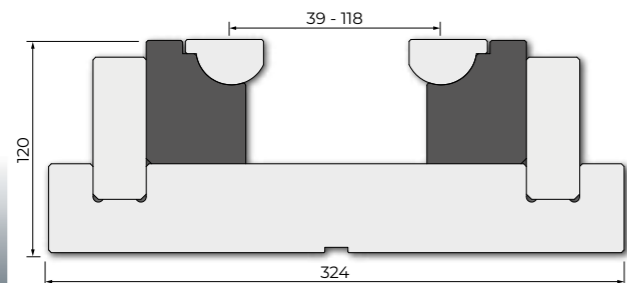
RVPV3		
500 mm	€ 4.548,-	50,0 kg
200 mm	€ 3.221,-	20,0 kg



39 - 94

42Cr: 900-1150 N/mm<sup>2</sup> Toolox 33 3500 kN/m max.

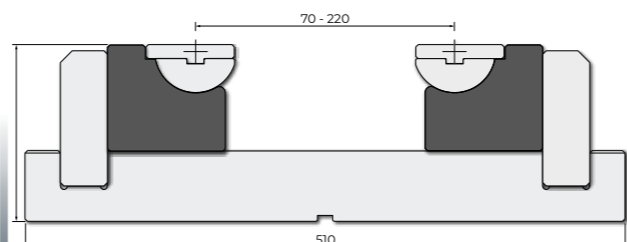
RVHD3		
500 mm	€ 5.733,-	98,0 kg
200 mm	€ 3.973,-	38,1 kg



39 - 118

42Cr: 900-1150 N/mm<sup>2</sup> Toolox 33 3500 kN/m max.

RVHD4		
500 mm	€ 8.258,-	200,0 kg
200 mm	€ 5.372,-	80,0 kg

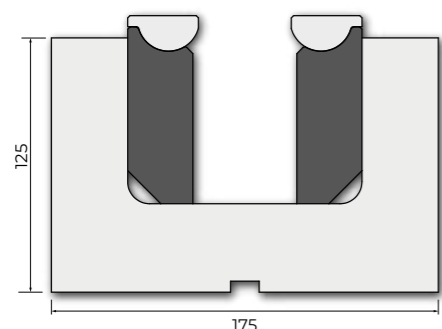


70 - 220

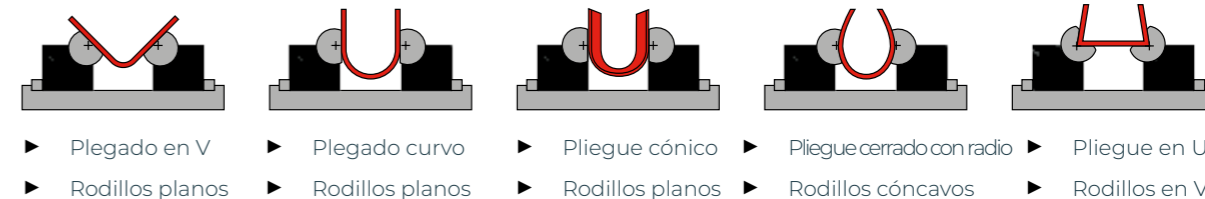
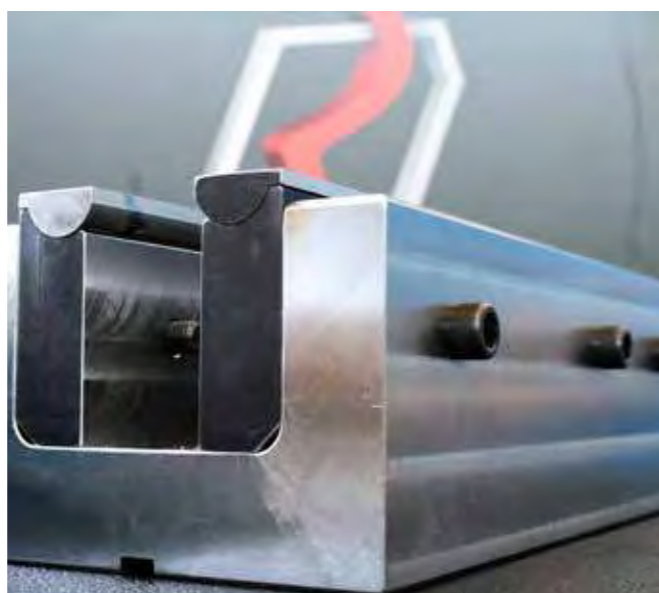
42Cr: 900-1150 N/mm<sup>2</sup> Toolox 33 1500 kN/m max.

RVHD2.5		
500 mm	€ 5.287,-	67,5 kg
200 mm	€ 3.796,-	27 kg <b>F</b>

**NUEVO**



39 - 118





## ADAPTADORES ROLLERI

### ADAPTADORES SUPERIORES

206 - 213

Adaptadores superiores

206 -210

Adaptadores atornillados

211 - 213

### ADAPTADORES INFERIORES

214 - 219

Cajeras para matrices

214 - 218

Adaptadores inferiores

219



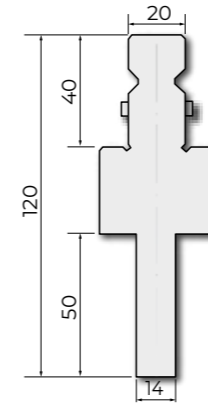


## Adaptadores superiores



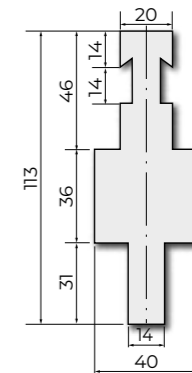
C45: 560-710 N/mm<sup>2</sup> 1000 kN/m max.

AD11			
150 mm	€ 111,-	3.0 kg	R2 III → R1



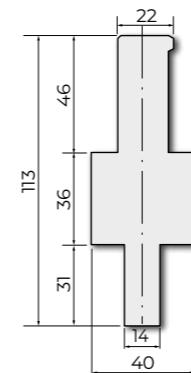
C45: 560-710 N/mm<sup>2</sup> 1000 kN/m max.

AD22			
150 mm	€ 98,-	3.4 kg	R3 R III → R1



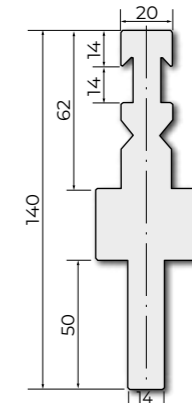
C45: 560-710 N/mm<sup>2</sup> 1000 kN/m max.

AD3			
150 mm	€ 98,-	3.3 kg	R3 S III → R1



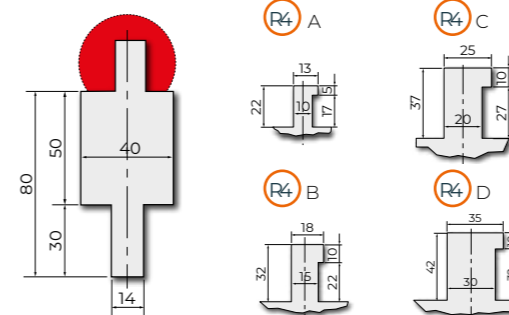
C45: 560-710 N/mm<sup>2</sup> 1000 kN/m max.

AD10			
150 mm	€ 193,-	3.4 kg	R3 RFA III → R1



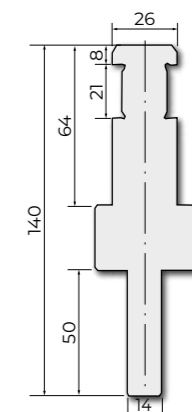
C45: 560-710 N/mm<sup>2</sup> 1000 kN/m max.

AD1			
AD1-A	150 mm	€ 98,-	3.1 kg R4 A III → R1
AD1-B	150 mm	€ 98,-	3.1 kg R4 B III → R1
AD1-C	150 mm	€ 98,-	3.1 kg R4 C III → R1
AD1-D	150 mm	€ 98,-	3.1 kg R4 D III → R1



C45: 560-710 N/mm<sup>2</sup> 1000 kN/m max.

AD13			
150 mm	€ 111,-	3.0 kg	RX EHT III → R1

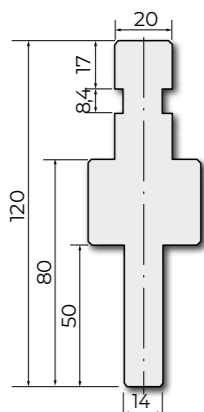


# Adaptadores superiores



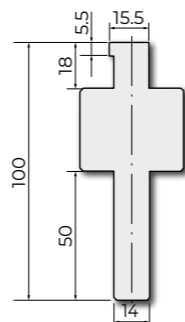
C45: 560-710 N/mm<sup>2</sup> 1000 kN/m max.

**AD14**  
150 mm € 111,- 3.2 kg **RX** Gasparini **R1**



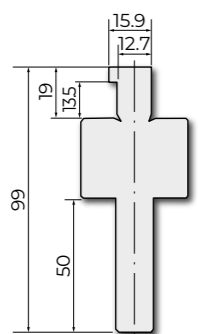
C45: 560-710 N/mm<sup>2</sup> 1000 kN/m max.

**AD15**  
150 mm € 105,- 3.0 kg **RX** Ajjal-Axial **R1**



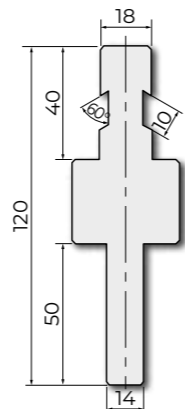
C45: 560-710 N/mm<sup>2</sup> 1000 kN/m max.

**AD16**  
150 mm € 105,- 4.0 kg **R** American **R1**



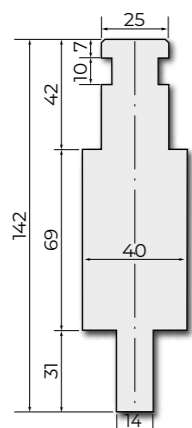
C45: 560-710 N/mm<sup>2</sup> 1000 kN/m max.

**AD12**  
150 mm € 111,- 3.0 kg **RX** Colgar **R1**



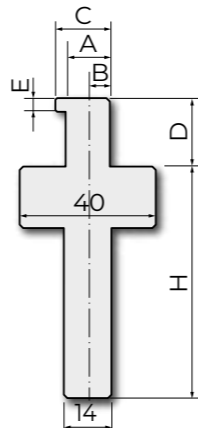
C45: 560-710 N/mm<sup>2</sup> 1000 kN/m max.

**AD23**  
150 mm € 93,- 5.0 kg **RX** Weinbrenner **R1**



C45: 560-710 N/mm<sup>2</sup> 1000 kN/m max.

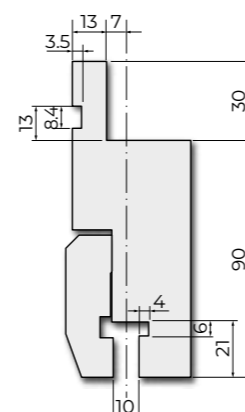
**ADX**  
150 mm € 98,- 3.5 kg **X** **R1** Fabricación según especificaciones del cliente



# Adaptadores superiores

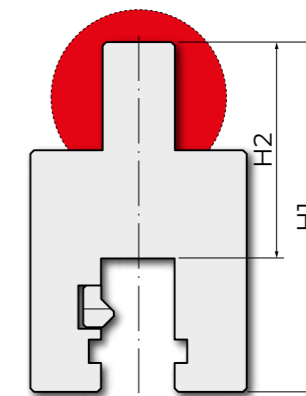
C45: 560-710 N/mm<sup>2</sup> 1000 kN/m max.

**AD19-A**  
150 mm € 149,- 6.0 kg **R1** **R4**



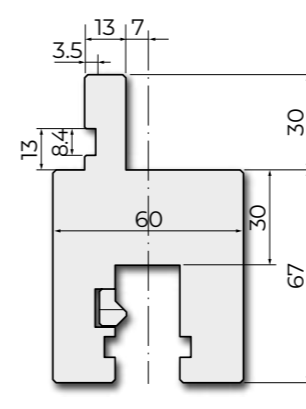
C45: 560-710 N/mm<sup>2</sup> 1000 kN/m max.

**ADX2**  
150 mm € 288,- 2.4 kg **X** **R2** Fabricación según especificaciones del cliente



C45: 560-710 N/mm<sup>2</sup> 1000 kN/m max.

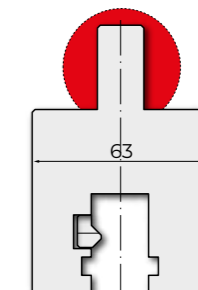
**AD20**  
150 mm € 288,- 4.0 kg **R1** **R2**



C45: 560-710 N/mm<sup>2</sup> 1000 kN/m max.

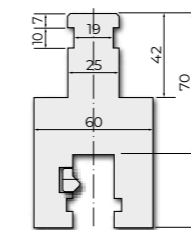
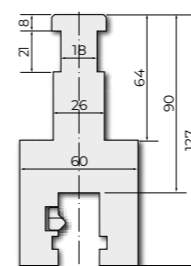
**AD20 LVD**

AD20 LVD-A	150 mm	€ 288,-	3.6 kg	<b>R4</b> A	<b>R1</b>
AD20 LVD-B	150 mm	€ 288,-	3.8 kg	<b>R4</b> B	<b>R1</b>
AD20 LVD-C	150 mm	€ 288,-	4.0 kg	<b>R4</b> C	<b>R1</b>
AD20 LVD-D	150 mm	€ 288,-	4.0 kg	<b>R4</b> D	<b>R1</b>



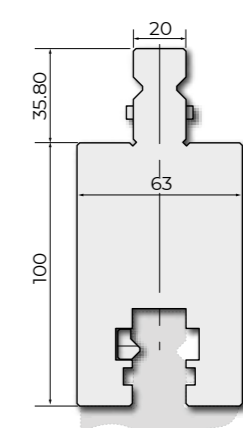
C45: 560-710 N/mm<sup>2</sup> 1000 kN/m max. C45: 560-710 N/mm<sup>2</sup> 1000 kN/m max.

**AD28** 150 mm € 347,- 5.0 kg **RX** EHT **R2** **AD29** 150 mm € 331,- 4.5 kg **RX** Weinbrenner **R2**



42Cr: 900-1150 N/mm<sup>2</sup> 1500 kN/m max.

**AD21**  
150 mm € 271,- 7.0 kg **R2** **R2**

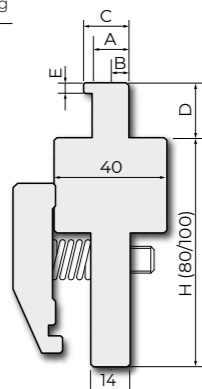


## Adaptadores superiores

C45: 560-710 N/mm<sup>2</sup> 1000 kN/m max.

### INT80-100

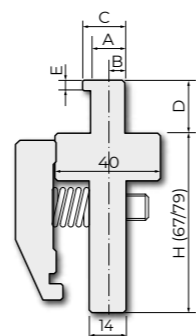
835 mm	€ 554,-	25.0 kg
415 mm	€ 471,-	12.5 kg



C45: 560-710 N/mm<sup>2</sup> 1000 kN/m max.

### INT67-79

835 mm	€ 483,-	20.5 kg
415 mm	€ 384,-	10.0 kg



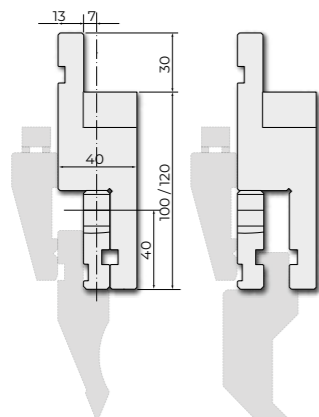
C45: 560-710 N/mm<sup>2</sup> 1000 kN/m max. C45: 560-710 N/mm<sup>2</sup> 1000 kN/m max.

### INT100-A

150 mm	€ 186,-	3.5 kg
--------	---------	--------

### INT120-A

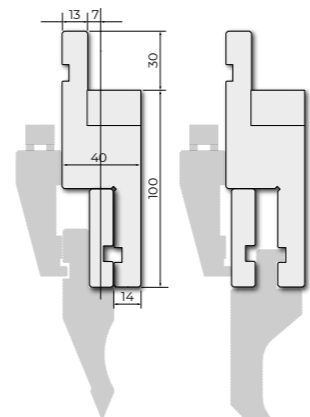
150 mm	€	5.2 kg
--------	---	--------



C45: 560-710 N/mm<sup>2</sup> 1000 kN/m max.

### INT100-N (Newton)

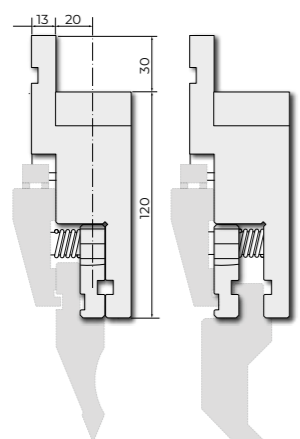
150 mm	€ 182,-	3.5 kg
--------	---------	--------



C45: 560-710 N/mm<sup>2</sup> 1000 kN/m max.

### INT120-40-A

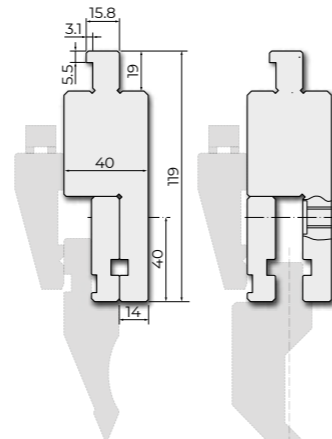
150 mm	€	6.0 kg
--------	---	--------



C45: 560-710 N/mm<sup>2</sup> 1000 kN/m max.

### INT100-A (American)

150 mm	€ 186,-	3.5 kg	X	R1	X	X
--------	---------	--------	---	----	---	---



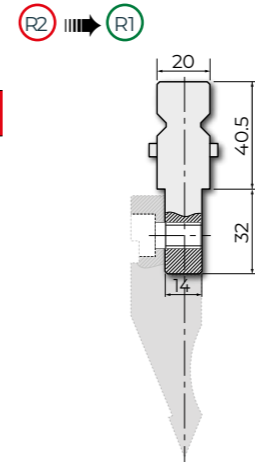
## Adaptadores atornillados



C45: 560-710 N/mm<sup>2</sup> 1000 kN/m max.

### AW11

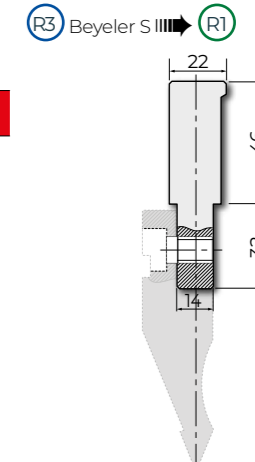
835 mm	€ 163,-	8.4 kg	R2	R1
415 mm	€ 130,-	4.2 kg		
805 mm	€ 395,-	8.4 kg		



C45: 560-710 N/mm<sup>2</sup> 1000 kN/m max.

### AW3

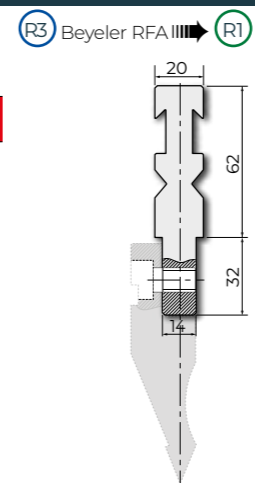
835 mm	€ 163,-	3.0 kg	R3	Beyeler S III	R1
415 mm	€ 130,-	1.5 kg			
805 mm	€ 360,-	3.0 kg			



C45: 560-710 N/mm<sup>2</sup> 1000 kN/m max.

### AW10

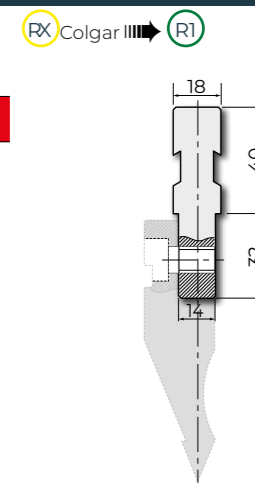
835 mm	€ 163,-	3.0 kg	R3	Beyeler RFA	R1
415 mm	€ 130,-	1.5 kg			
805 mm	€ 360,-	3.0 kg			



C45: 560-710 N/mm<sup>2</sup> 1000 kN/m max.

### AW12

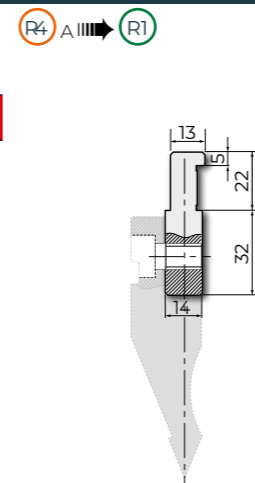
835 mm	€ 163,-	7.0 kg	RX	Colgar	R1
415 mm	€ 130,-	3.5 kg			
805 mm	€ 360,-	6.7 kg			



C45: 560-710 N/mm<sup>2</sup> 1000 kN/m max.

### AW1-A

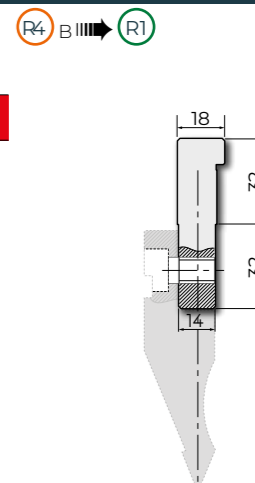
835 mm	€ 163,-	3.0 kg	R4	A	R1
415 mm	€ 130,-	1.5 kg			
805 mm	€ 360,-	6.7 kg			



C45: 560-710 N/mm<sup>2</sup> 1000 kN/m max.

### AW1-B

835 mm	€ 163,-	7.0 kg	R4	B	R1
415 mm	€ 130,-	3.5 kg			
805 mm	€ 360,-	6.7 kg			



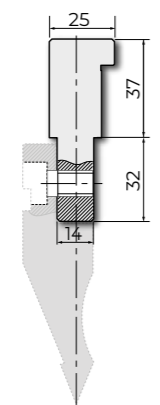
# Adaptadores atornillados



C45: 560-710 N/mm<sup>2</sup> 1000 kN/m max.

## AW1-C

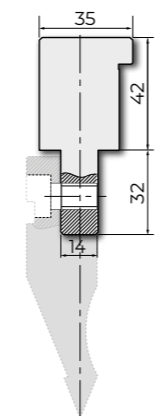
835 mm	€ 163,-	9.7 kg	
415 mm	€ 130,-	4.8 kg	
805 mm	€ 360,-	9.4 kg	



C45: 560-710 N/mm<sup>2</sup> 1000 kN/m max.

## AW1-D

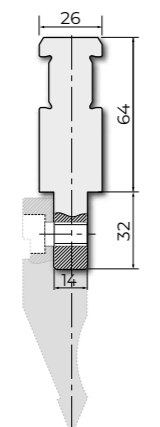
835 mm	€ 163,-	11.5 kg	
415 mm	€ 130,-	5.7 kg	
805 mm	€ 360,-	11.1 kg	



C45: 560-710 N/mm<sup>2</sup> 1000 kN/m max.

## AW13

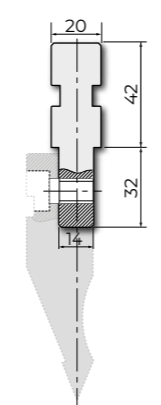
835 mm	€ 163,-	12.6 kg	
415 mm	€ 130,-	6.3 kg	
805 mm	€ 360,-	12.1 kg	



C45: 560-710 N/mm<sup>2</sup> 1000 kN/m max.

## AW14

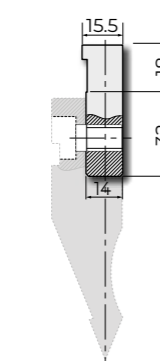
835 mm	€ 163,-	8.0 kg	
415 mm	€ 130,-	4.0 kg	
805 mm	€ 360,-	7.7 kg	



C45: 560-710 N/mm<sup>2</sup> 1000 kN/m max.

## AW15

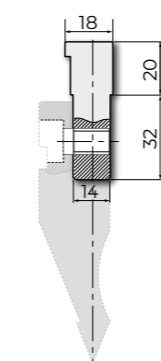
835 mm	€ 163,-	3.0 kg	
415 mm	€ 130,-	1.5 kg	
805 mm	€ 360,-	3.0 kg	



C45: 560-710 N/mm<sup>2</sup> 1000 kN/m max.

## AWC16

835 mm	€ 163,-	5.0 kg	
415 mm	€ 130,-	2.5 kg	
805 mm	€ 144,-	4.8 kg	

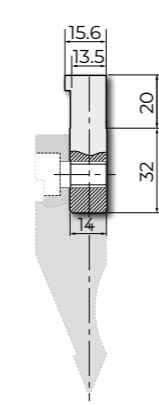


# Adaptadores atornillados

C45: 560-710 N/mm<sup>2</sup> 1000 kN/m max.

## AWC13.5

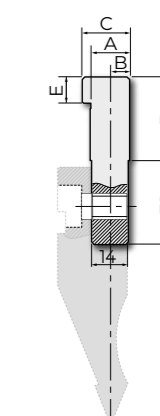
835 mm	€ 163,-	4.8 kg	
415 mm	€ 130,-	2.4 kg	
805 mm	€ 360,-	4.6 kg	



C45: 560-710 N/mm<sup>2</sup> 1000 kN/m max.

## AWX

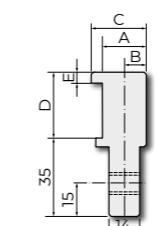
835 mm	€ 163,-	3.0 kg	
415 mm	€ 130,-	1.5 kg	
805 mm	€ 360,-	3.0 kg	



C45: 560-710 N/mm<sup>2</sup> 1000 kN/m max.

## INT35

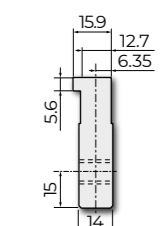
835 mm	€ 264,-	4.0 kg	
415 mm	€ 198,-	2.5 kg	
805 mm	€ 381,-	3.9 kg	



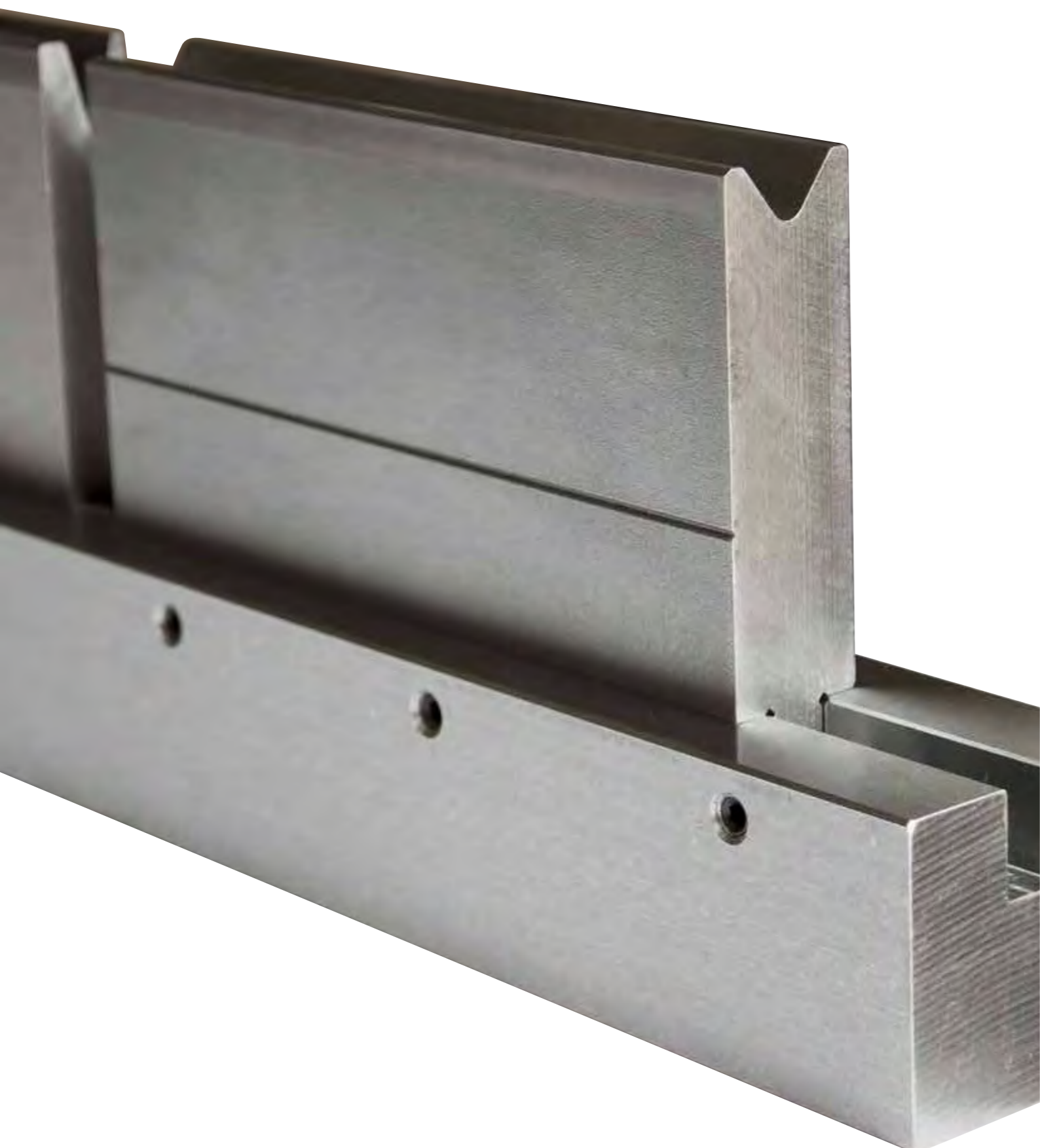
C45: 560-710 N/mm<sup>2</sup> 1000 kN/m max.

## INT35-A

835 mm	€ 264,-	5.0 kg	
415 mm	€ 198,-	2.5 kg	
805 mm	€ 381,-	4.8 kg	







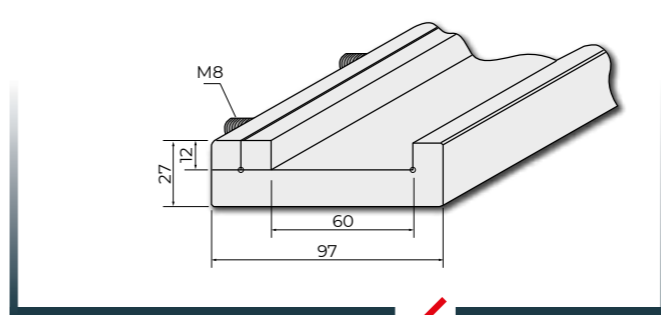
## Cajas para matrices



C45: 560-710 N/mm<sup>2</sup> 1000 kN/m max.

**C 2000/S / C 2500/S / C 3000/S / C 4000/S**

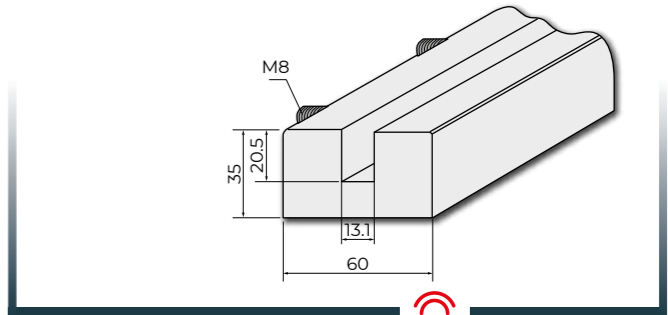
C 2000/S	2100 mm	€ 561,-	27.0 kg
C 2500/S	2600 mm	€ 692,-	34.0 kg
C 3000/S	3100 mm	€ 823,-	40.0 kg
C 4000/S	4100 mm	€ 1.047,-	53.0 kg



C45: 560-710 N/mm<sup>2</sup> 1000 kN/m max.

**TC 2000/S / TC 2500/S / TC 3000/S / TC 4000/S**

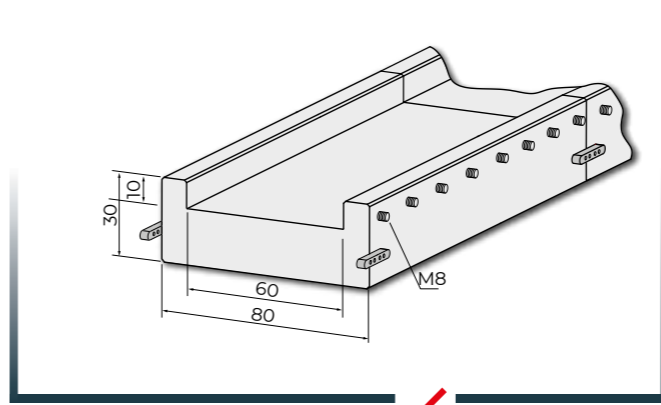
TC 2000/S	2100 mm	€ 588,-	30.0 kg
TC 2500/S	2600 mm	€ 729,-	37.0 kg
TC 3000/S	3100 mm	€ 828,-	44.0 kg
TC 4000/S	4100 mm	€ 1.152,-	59.0 kg



C45: 560-710 N/mm<sup>2</sup> 1000 kN/m max.

**C 1050/R**

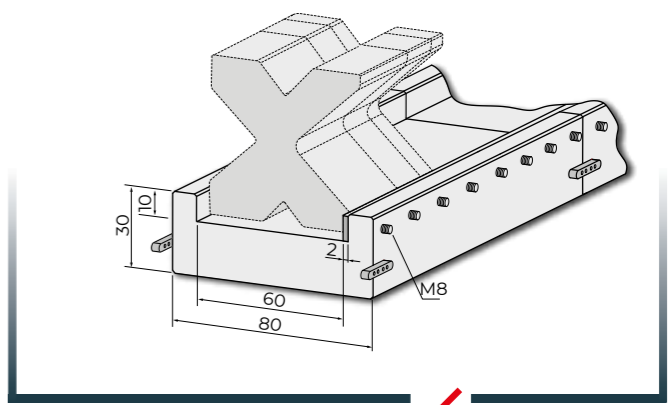
C 1050/R	1050 mm	€ 192,-	15.0 kg
C 1050/R/C	520 mm	€ 110,-	7.5 kg



C45: 560-710 N/mm<sup>2</sup> 1000 kN/m max.

**C 1050/RS**

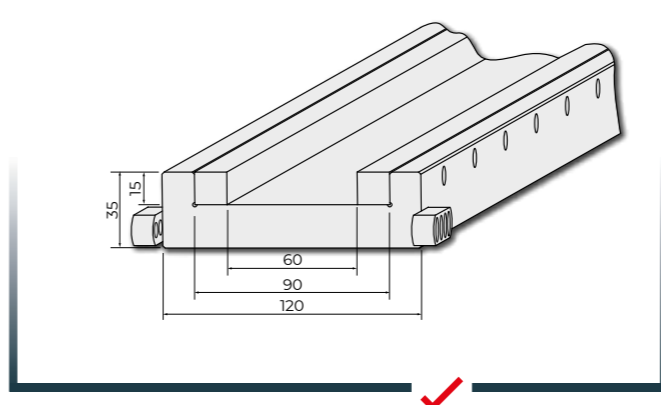
C 1050/RS	1050 mm	€ 252,-	15.0 kg
C 1050/RS/C	520 mm	€ 146,-	7.5 kg



C45: 560-710 N/mm<sup>2</sup> 1000 kN/m max.

**C 1050-90**

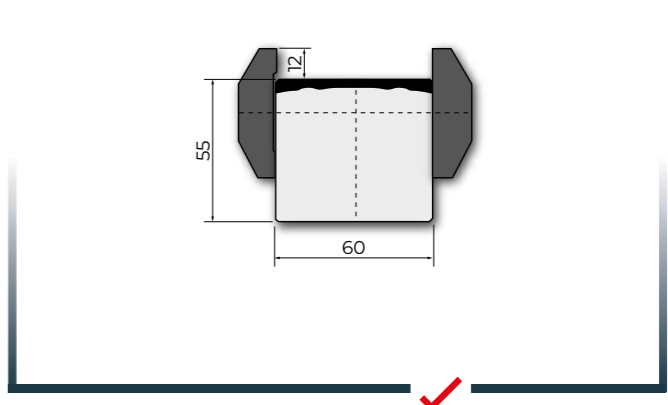
C 1050-90	1050 mm	€ 314,-	27.2 kg
C 1050-90/C	520 mm	€ 189,-	13.5 kg



C45: 560-710 N/mm<sup>2</sup> 1000 kN/m max.

**CTS60**

835 mm	€ 231,-	29.0 kg
415 mm	€ 140,-	14.5 kg

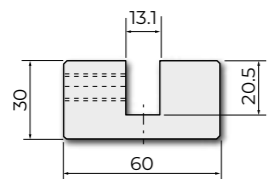




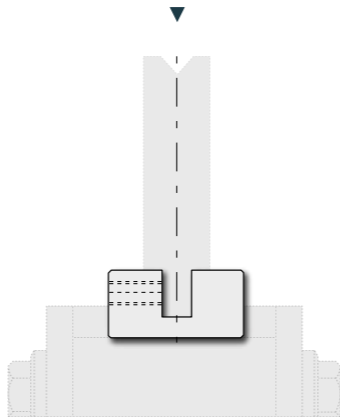
# Adaptadores inferiores

C45: 560-710 N/mm<sup>2</sup> 1000 kN/m max.

AD6			
1000 mm	€ 218,-	12.0 kg	R1 R2 R3
500 mm	€ 113,-	6.0 kg	

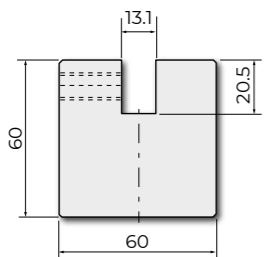


AD6 Ejemplo de inserción

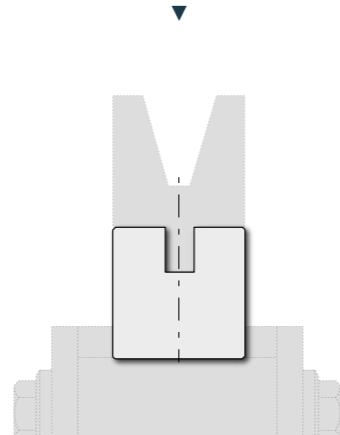


C45: 560-710 N/mm<sup>2</sup> 1000 kN/m max.

AD5			
1000 mm	€ 245,-	26.1 kg	R1 R2 R3
500 mm	€ 135,-	13.0 kg	

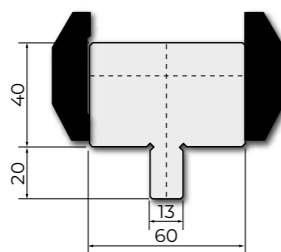


AD5 Ejemplo de inserción

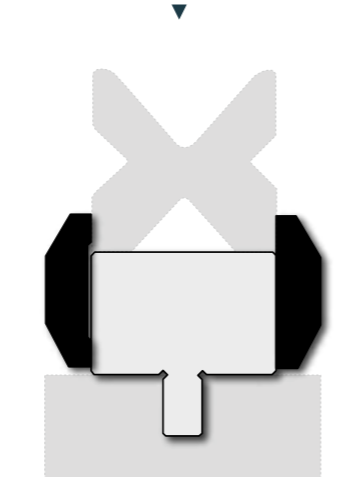


C45: 560-710 N/mm<sup>2</sup> 1000 kN/m max.

AD7			
835 mm	€ 275,-	25 kg	R2 R3 R1
415 mm	€ 162,-	8.5 kg	



AD7 Ejemplo de inserción

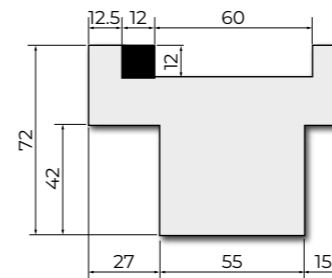


# Adaptadores inferiores

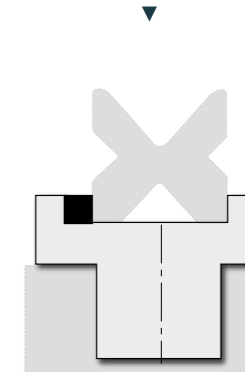


C45: 560-710 N/mm<sup>2</sup> 1000 kN/m max.

AD24			
835 mm	€ 547,-	30 kg	RX EHT R1
415 mm	€ 303,-	14.2 kg	

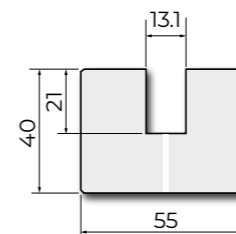


AD24 Ejemplo de inserción

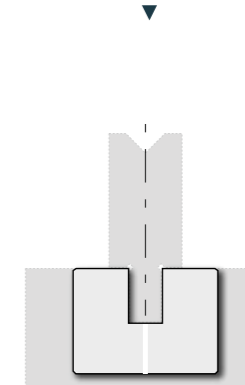


C45: 560-710 N/mm<sup>2</sup> 1000 kN/m max.

AD25			
500 mm	€ 255,-	7.5 kg	RX EHT R2 R3

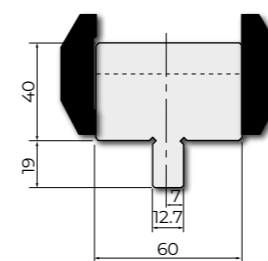


AD25 Ejemplo de inserción

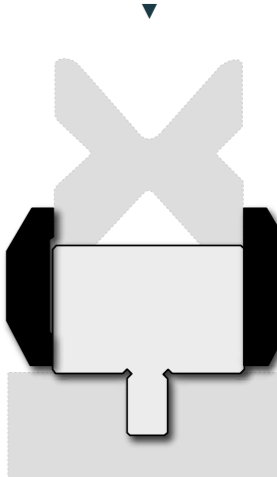


C45: 560-710 N/mm<sup>2</sup> 1000 kN/m max.

AD9-12.7			
835 mm	€ 237,-	17.0 kg	R4 R1
415 mm	€ 143,-	8.5 kg	



AD9-12.7 Ejemplo de inserción

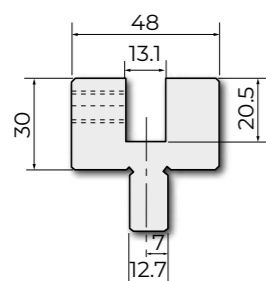


## Adaptadores inferiores

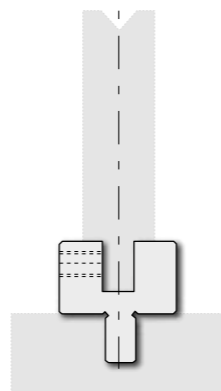
C45: 560-710 N/mm<sup>2</sup> 1000 kN/m max.

### AD8-12.7

1000 mm	€ 396,-	12.0 kg	R4	R2	R3
500 mm	€ 230,-	16.0 kg			



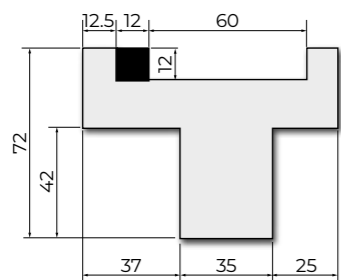
### AD8-12.7 Ejemplo de inserción



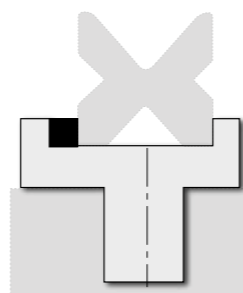
C45: 560-710 N/mm<sup>2</sup> 1000 kN/m max.

### AD26

835 mm	€ 573,-	23.0 kg	RX Weinbrenner	R1
415 mm	€ 319,-	11.4 kg		



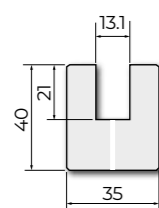
### AD26 Ejemplo de inserción



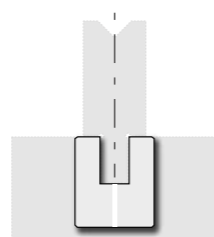
C45: 560-710 N/mm<sup>2</sup> 1000 kN/m max.

### AD27

500 mm	€ 228,-	4.5 kg	RX Weinbrenner	R2	R3
--------	---------	--------	----------------	----	----



### AD27 Ejemplo de inserción



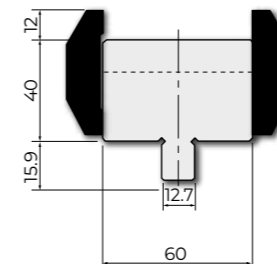
## Adaptadores inferiores



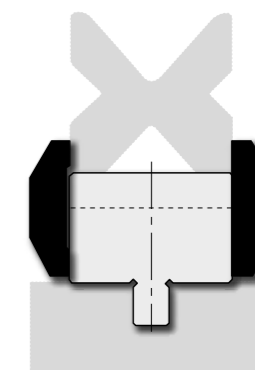
C45: 560-710 N/mm<sup>2</sup> 1000 kN/m max.

### AD17

835 mm	€ 396,-	18.0 kg	R American	R1
415 mm	€ 227,-	18.0 kg		



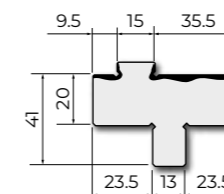
### AD17 Ejemplo de inserción



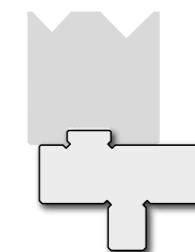
C45: 560-710 N/mm<sup>2</sup> 1000 kN/m max.

### AD18

835 mm	€ 230,-	18.0 kg	RX EHT	R2	R3
415 mm	€ 131,-	9.0 kg			



### AD18 Ejemplo de inserción





## ROLLERI PLEGADO SIN MARCAS

<b>ROLL PRIME</b>	222 - 223
<b>ROLFILM</b>	224 - 226
Film protector tensado	224
Film protector	225 - 226
<b>POLIURETANO</b>	225 - 229
Contenedores e insertos de poliuretano	225 - 226
Placa con cierre lateral y modificaciones	227
<b>MATRICES CON INSERTOS DE NYLON</b>	228 - 229
Insertos y soportes	228 - 229

La incesante búsqueda de innovación ha llevado a Rolleri Spa hacia la adopción de sistemas de impresión 3D, el futuro de la tecnología de producción. Roll Prime es la solución adecuada para todas aquellas aplicaciones que requieren la ausencia total de marcas de plegado en la chapa, velocidad de entrega y precisión dimensional: gracias a la tecnología FDM (Fused Deposition Modeling), podemos producir herramientas e insertos de un material plástico especial completamente personalizable según las necesidades del cliente, con un tiempo de entrega de producción reducido a la mitad en comparación con las técnicas tradicionales.

- ▶ Ausencia total de marcas en la lámina
- ▶ Mitad de tiempo de fabricación
- ▶ Costes reducidos en un 30% -40% en comparación con una herramienta especial clásica
- ▶ Ideal para prototipos rápidos
- ▶ Ideal para mini series de productos
- ▶ Repetibilidad del resultado de plegado

#### IMPRESIÓN

Gracias a una infinita variedad de formas, podemos estudiar soluciones específicas para cada cliente, con la posibilidad de crear rápidamente prototipos.

Las herramientas Roll Prime son ideales para la fabricación o muestra de lotes pequeños, gracias a la reducción del tiempo y los costos de entrega, entre un 30% y un 40% menos que las herramientas clásicas.



#### INSERTOS

Lo último en el mundo del plegado sin marcas consiste en los insertos Roll Prime: gracias a su composición garantizamos la total ausencia de marcas sobre la lámina, consiguiendo resultados de plegado idénticos después de muchos plegados, eliminando el tiempo de preparación y colocación del clásico film protector anti-marcas.

Esta solución que os proponemos, es completamente personalizable, es posible proyectar insertos que se adapten a los utillajes que ya tengan en su poder.



## Rolfilm y film protector tensado

- ▶ Fácil de usar
- ▶ Posicionamiento flexible
- ▶ Eliminación del problema de los signos de marcas en la chapa
- ▶ Reducción del procesamiento posterior de las piezas
- ▶ Chapa pulida
- ▶ Mejor calidad del producto.

CT

€ 181,- 6.0 kg pz.



Modelo	Espesor [mm]	Anchura [mm]	Longitud [mm]	Precio
Rolfilm 3-0.4-100	0.4	100	3	€ 26,-
Rolfilm 10-0.4-100	0.4	100	10	€ 79,-
Rolfilm 20-0.4-100	0.4	100	20	€ 152,-
Rolfilm 30-0.4-100	0.4	100	30	€ 210,-
Rolfilm 3-0.4-150	0.4	150	3	€ 42,-
Rolfilm 10-0.4-150	0.4	150	10	€ 126,-
Rolfilm 20-0.4-150	0.4	150	20	€ 255,-
Rolfilm 30-0.4-150	0.4	150	30	€ 315,-
Rolfilm 3-0.6-150	0.6	150	3	€ 42,-
Rolfilm 10-0.6-150	0.6	150	10	€ 126,-
Rolfilm 20-0.6-150	0.6	150	20	€ 247,-
Rolfilm 30-0.6-150	0.6	150	30	€ 315,-
Rolfilm 3-0.6-200	0.6	200	3	€ 58,-
Rolfilm 10-0.6-200	0.6	200	10	€ 168,-
Rolfilm 20-0.6-200	0.6	200	20	€ 326,-
Rolfilm 30-0.6-200	0.6	200	30	€ 462,-
Rolfilm 3-2-150	2.0	150	3	€ 74,-
Rolfilm 10-2-150	2.0	150	10	€ 242,-
Rolfilm 20-2-150	2.0	150	20	€ 478,-
Rolfilm 30-2-150	2.0	150	30	€ 683,-



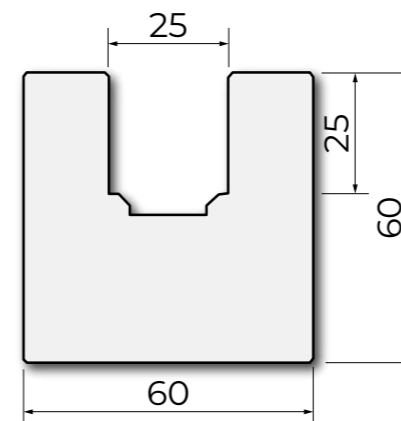
## Contenedores e insertos de poliuretano



C45: 560-710 N/mm<sup>2</sup>

MPG25

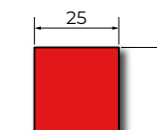
835 mm	€ 252,-	18.5 kg
415 mm	€ 147,-	9.2 kg



Poliuretano

GM 25X25

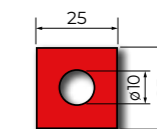
835 mm	€ 62,-	0.6 kg
415 mm	€ 35,-	0.3 kg



Poliuretano

GM 25X25X10

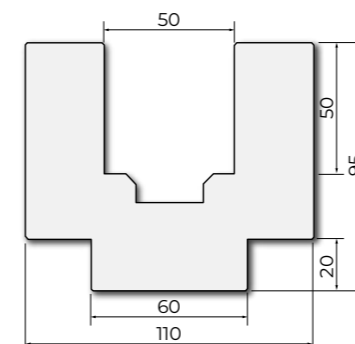
835 mm	€ 69,-	0.6 kg
415 mm	€ 39,-	0.3 kg



C45: 560-710 N/mm<sup>2</sup>

MPG50

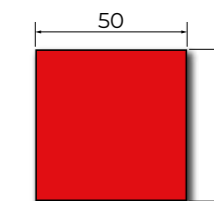
835 mm	€ 453,-	46.0 kg
415 mm	€ 256,-	22.5 kg



Poliuretano

GM 50X50

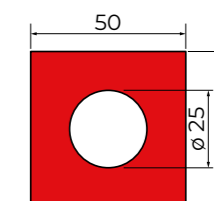
835 mm	€ 141,-	2.5 kg
415 mm	€ 79,-	1.2 kg



Poliuretano

GM 50X50X25

835 mm	€ 141,-	2.5 kg
415 mm	€ 78,-	1.2 kg



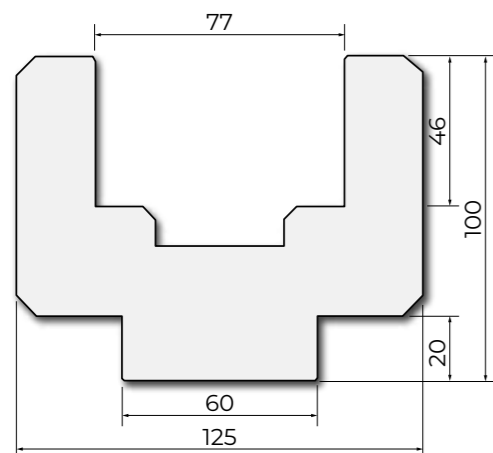


## Contenedores e insertos de poliuretano

C45: 560-710 N/mm<sup>2</sup>

### MPG75

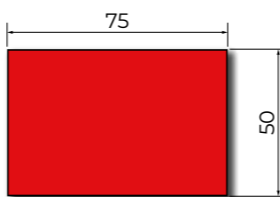
835 mm	€ 592,-	46.0 kg
415 mm	€ 336,-	22.5 kg



Poliuretano

### GM 75X50

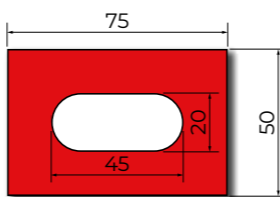
835 mm	€ 184,-	3.5 kg
415 mm	€ 102,-	1.7 kg



Poliuretano

### GM 75X50X20

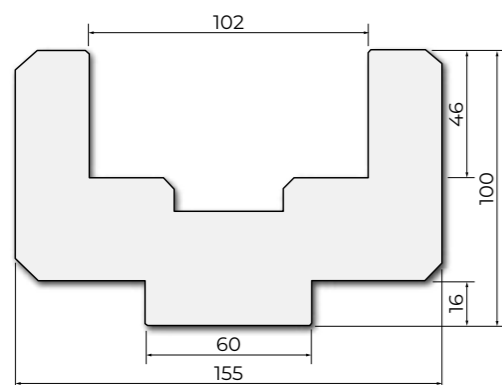
835 mm	€ 268,-	3.5 kg
415 mm	€ 148,-	1.7 kg



C45: 560-710 N/mm<sup>2</sup>

### MPG100

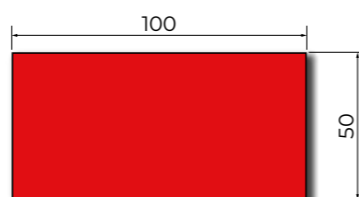
835 mm	€ 710,-	55.0 kg
415 mm	€ 405,-	27.5 kg



Poliuretano

### GM 100X50

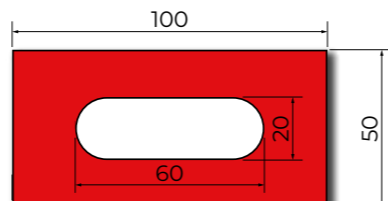
835 mm	€ 197,-	2.5 kg
415 mm	€ 110,-	1.2 kg



Poliuretano

### GMF 100X50X20

835 mm	€ 299,-	3.0 kg
415 mm	€ 165,-	2.2 kg



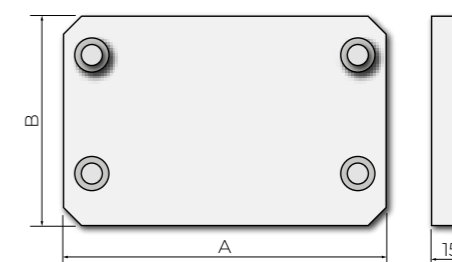
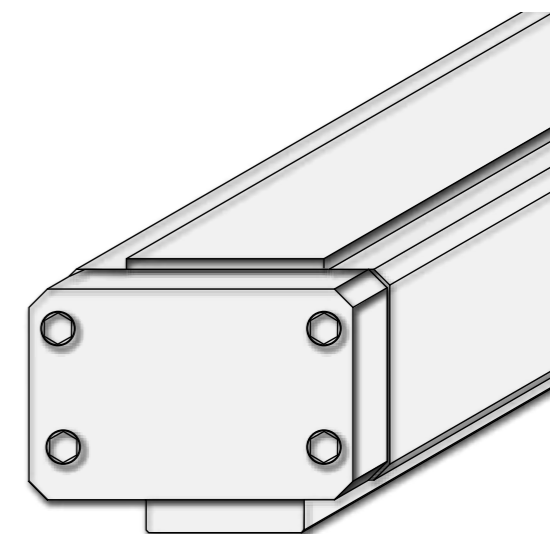
## Placa con cierre lateral y modificaciones



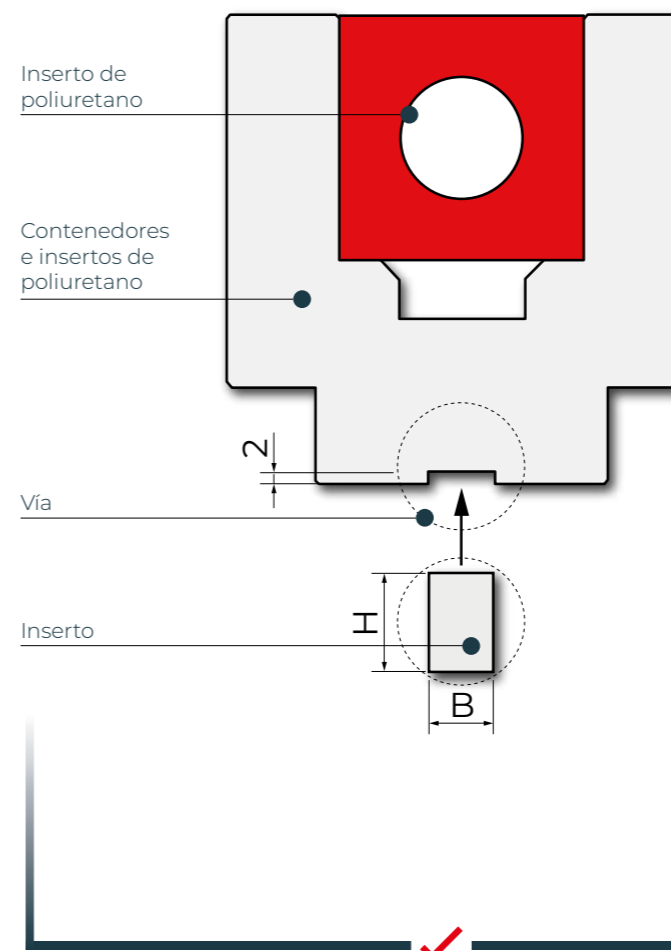
C45: 560-710 N/mm<sup>2</sup>

### PSTCON - Placa de cierre lateral

	A [mm]	B [mm]	€	kg
PSTCON25	58	58	€ 28,-	1.2 kg
PSTCON50	108	75	€ 35,-	0.8 kg
PSTCON75	123	80	€ 38,-	1.0 kg
PSTCON100	153	80	€ 42,-	1.2 kg

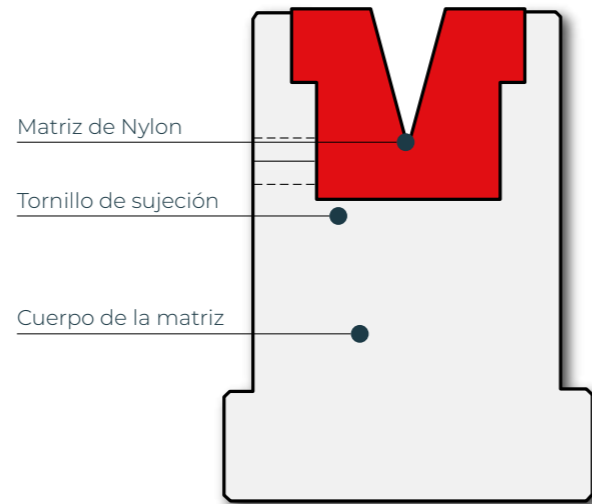
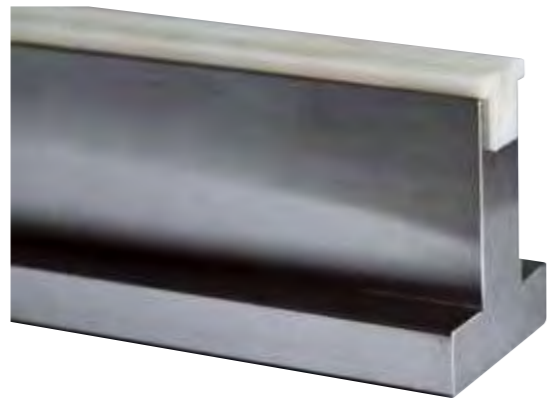


### Ejemplo de montaje

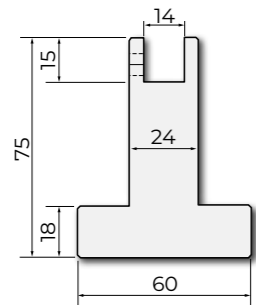


# Matrices con insertos de Nylon

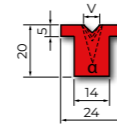
Las matrices sintéticas se ajustarán al soporte y se fijarán con un tornillo de sujeción.



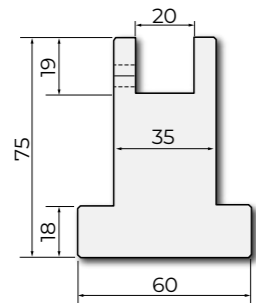
C45: 560-710 N/mm <sup>2</sup>		1000 kN/m max.	
<b>TN80.14</b>			
835 mm	€ 310,-	15.0 kg	R1
415 mm	€ 170,-	7.5 kg	



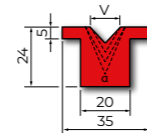
Synthetic		200 kN/m max.	
<b>INS14...</b>			
835 mm	€ 143,-	0.30 kg	° V [mm]
415 mm	€ 84,-	0.15 kg	
INS14.06.88	88°	6	
INS14.08.88	88°	8	
INS14.10.88	88°	10	
INS14.06.60	60°	6	
INS14.08.60	60°	8	
INS14.10.60	60°	10	
INS14.06.45	45°	6	
INS14.08.45	45°	8	
INS14.10.45	45°	10	
INS14.06.30	30°	6	
INS14.08.30	30°	8	



C45: 560-710 N/mm <sup>2</sup>		1000 kN/m max.	
<b>TN80.20</b>			
835 mm	€ 310,-	19.0 kg	R1
415 mm	€ 170,-	9.5 kg	



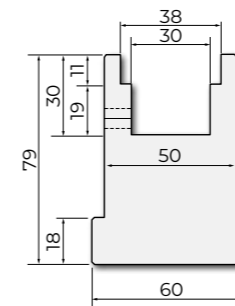
Synthetic		200 kN/m max.	
<b>INS20...</b>			
835 mm	€ 158,-	0.4 kg	° V [mm]
415 mm	€ 89,-	0.2 kg	
INS20.06.88	88°	6	
INS20.08.88	88°	8	
INS20.10.88	88°	10	
INS20.12.88	88°	12	
INS20.16.88	88°	16	
INS20.06.60	60°	6	
INS20.08.60	60°	8	
INS20.10.60	60°	10	
INS20.12.60	60°	12	
INS20.16.60	60°	16	
INS20.06.45	45°	6	
INS20.08.45	45°	8	
INS20.10.45	45°	10	
INS20.12.45	45°	12	
INS20.06.30	30°	6	
INS20.08.30	30°	8	
INS20.10.30	30°	10	



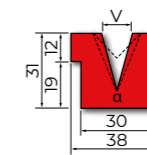
# Matrices con insertos de Nylon



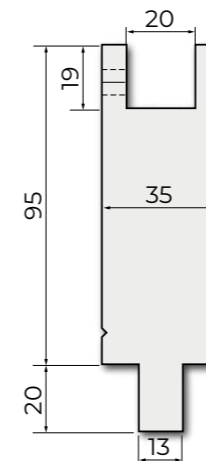
C45: 560-710 N/mm <sup>2</sup>		1000 kN/m max.	
<b>TN80.30</b>			
835 mm	€ 310,-	25.0 kg	R1
415 mm	€ 170,-	12.5 kg	



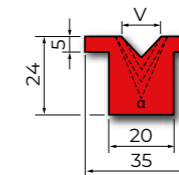
Synthetic		200 kN/m max.	
<b>INS30...</b>			
835 mm	€ 158,-	0.5 kg	° V [mm]
415 mm	€ 89,-	0.3 kg	
INS30.06.88	88°	6	
INS30.08.88	88°	8	
INS30.10.88	88°	10	
INS30.12.88	88°	12	
INS30.16.88	88°	16	
INS30.20.88	88°	20	
INS30.25.88	88°	25	
INS30.06.60	60°	6	
INS30.08.60	60°	8	
INS30.10.60	60°	10	
INS30.12.60	60°	12	
INS30.16.60	60°	16	
INS30.20.60	60°	20	
INS30.06.45	45°	6	
INS30.08.45	45°	8	
INS30.10.45	45°	10	
INS30.12.45	45°	12	
INS30.16.45	45°	16	
INS30.20.45	45°	20	
INS30.06.30	30°	6	
INS30.08.30	30°	8	
INS30.10.30	30°	10	
INS30.12.30	30°	12	
INS30.16.30	30°	16	



C45: 560-710 N/mm <sup>2</sup>		1000 kN/m max.	
<b>TMN95.20</b>			
835 mm	€ 378,-	12.0 kg	R2 R3
415 mm	€ 216,-	6.0 kg	



Synthetic		200 kN/m max.	
<b>INS20...</b>			
835 mm	€ 158,-	0.4 kg	° V [mm]
415 mm	€ 89,-	0.2 kg	
INS20.06.88	88°	6	
INS20.08.88	88°	8	
INS20.10.88	88°	10	
INS20.12.88	88°	12	
INS20.16.88	88°	16	
INS20.06.60	60°	6	
INS20.08.60	60°	8	
INS20.10.60	60°	10	
INS20.12.60	60°	12	
INS20.16.60	60°	16	
INS20.06.45	45°	6	
INS20.08.45	45°	8	
INS20.10.45	45°	10	
INS20.12.45	45°	12	
INS20.06.30	30°	6	
INS20.08.30	30°	8	
INS20.10.30	30°	10	





## ROLLERI EVOLUTION Y ÚTILES DE ALTA RESISTENCIA

<b>Rolleri Evolution</b>	232 - 233
--------------------------	-----------

Rolleri Vario	232 - 233
---------------	-----------

<b>Matrices regulables y soportes</b>	234 - 238
---------------------------------------	-----------

Matrices regulables	234- 236
---------------------	----------

Barras y soportes	237 - 238
-------------------	-----------

<b>Matrices con rodillos</b>	239
------------------------------	-----

<b>Útiles de alta resistencia</b>	240 - 242
-----------------------------------	-----------

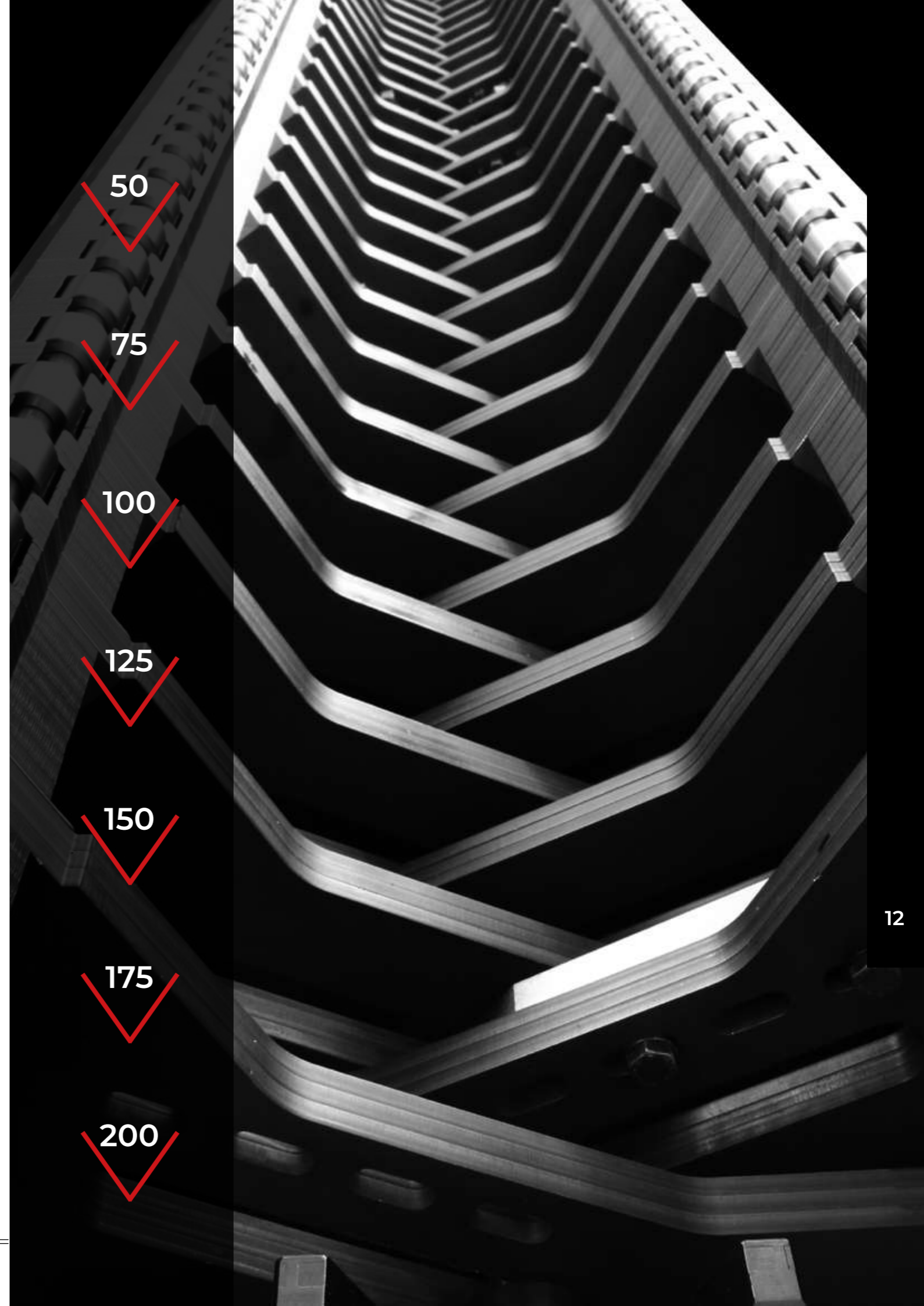
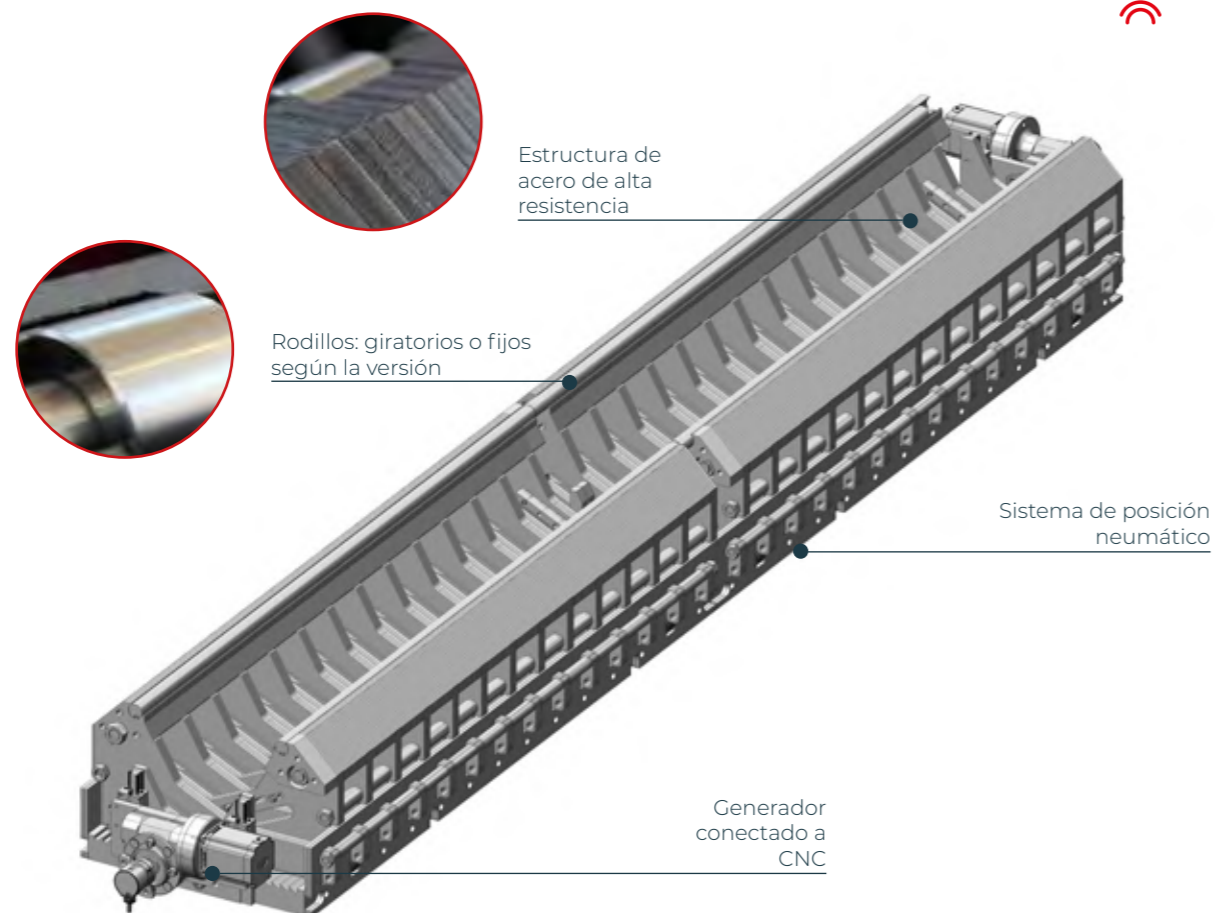
<b>Útiles especiales</b>	243 - 251
--------------------------	-----------

## Rolleri Vario



### CARACTERÍSTICAS

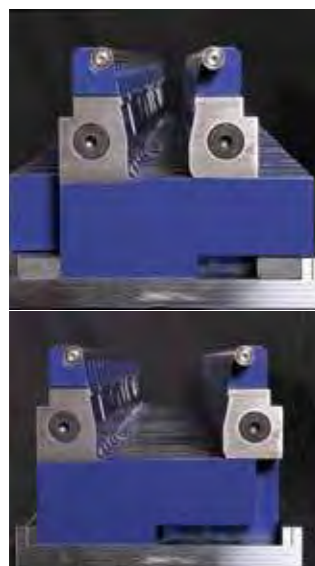
- ▶ 7 diferentes aberturas de troqueles desde 50 mm hasta 200 mm (con paso de 25 mm)
- ▶ La abertura en V se puede configurar de 3 formas diferentes: de forma manual, automática y completamente automática mediante la conexión a la prensa CNC
- ▶ Posibilidad de montar Vario en cada mesa de la prensa con cualquier ataque
- ▶ Posibilidad de instalar un adaptador para montar matrices estándar con V <50
- ▶ Capacidad: hasta 250 toneladas/m (adecuado para cualquier tipo de trabajo, incluidas las aplicaciones de servicio pesado)
- ▶ Ángulo de plegado hasta 60
- ▶ Plegado de 20 mm S355
- ▶ No se necesita mantenimiento



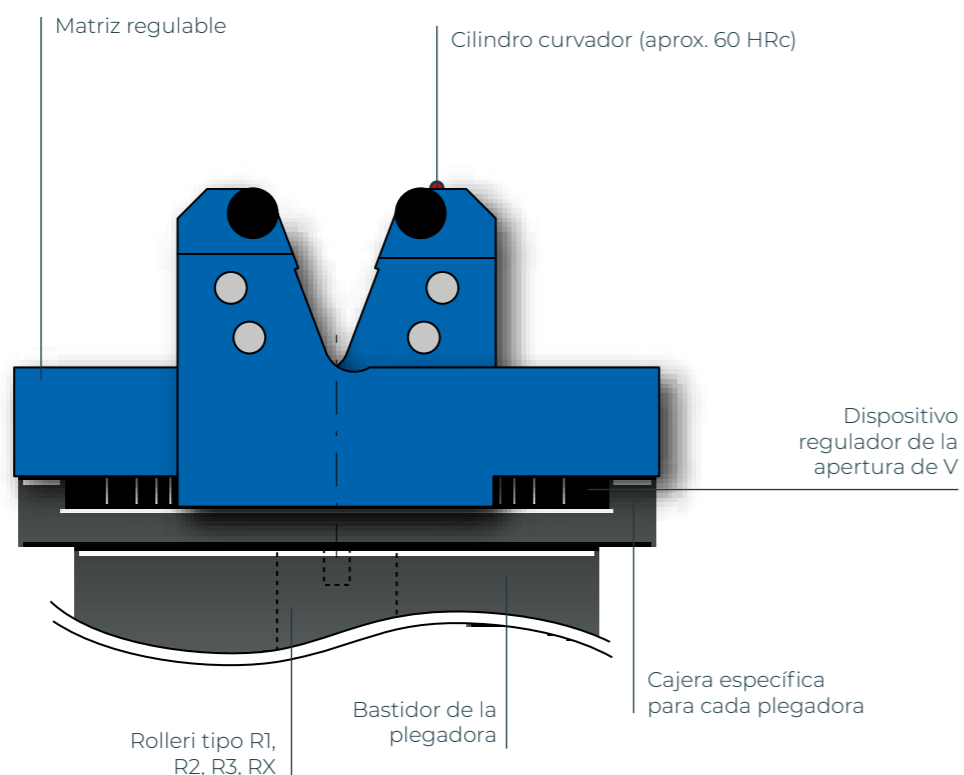




- ▶ Cubre una amplia gama de anchos de V, lo que permite reducir el número de cambios de herramienta.
- ▶ Ángulo de plegado de hasta 30°, ideal para materiales dúctiles con alto modulo elástico.
- ▶ Reducción de las marcas de plegado gracias a rodillos templados.
- ▶ Reducción del desgaste de los radios de flexión debido a los rodillos templados.
- ▶ Reducción del 10% de la fuerza necesaria para el plegado.
- ▶ Facilita el cambio del radio de curvatura.
- ▶ Reducción de más del 30% del tiempo de inactividad gracias a la facilidad de instalación de las cuñas.
- ▶ Costes de mantenimiento mínimos.
- ▶ Dimensiones extremadamente reducidas para evitar colisiones durante los pliegues más complejos.
- ▶ Se puede utilizar tanto para un primer equipamiento, como para la renovación de útiles en plegadoras menos actuales.
- ▶ El diseño modular permite al usuario adquirir un primer tramo y luego añadir un módulo adicional en función de la necesidad.
- ▶ Matrices ajustables que ofrecen diversas aberturas de V con una sola herramienta.
- ▶ Alto nivel de precisión y estabilidad a largo plazo.
- ▶ Con el concepto modular de componentes intercambiables podemos realizar sustituciones rápidas y de bajo coste.
- ▶ Una inversión que garantiza un importante valor añadido.
- ▶ También disponible para todos los modelos una lámina protectora ajustable fácil de proteger para evitar el polvo y el desgaste.



Ejemplo de montaje



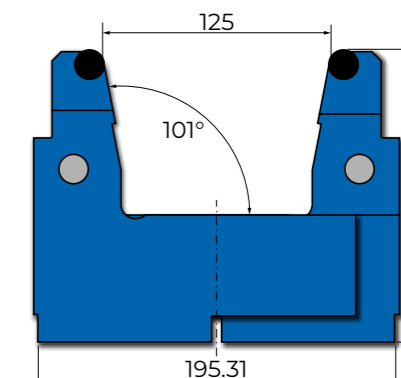
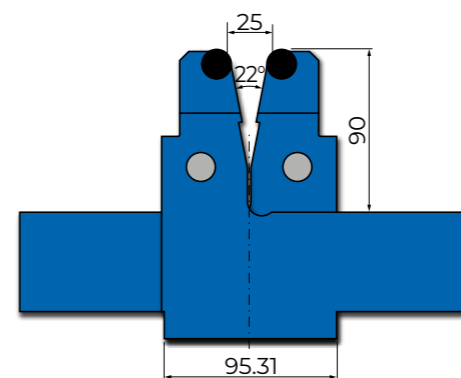
42Cr: 900-1150 N/mm<sup>2</sup>

1250 kN/m max. at 90°

AD25.125

250 mm	=	34.0 kg
500 mm		64.0 kg
550 mm		72.0 kg
1000 mm		125.0 kg
1050 mm		133.0 kg

- V=25-125 mm
- Ángulo de 30°-180°
- Radio R=8 mm



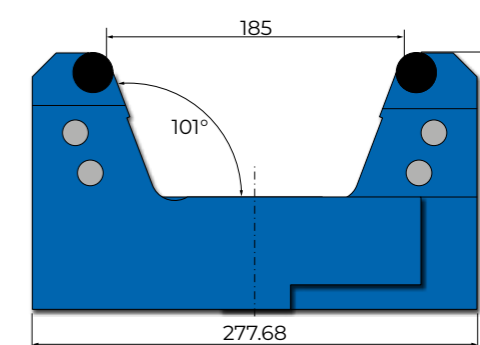
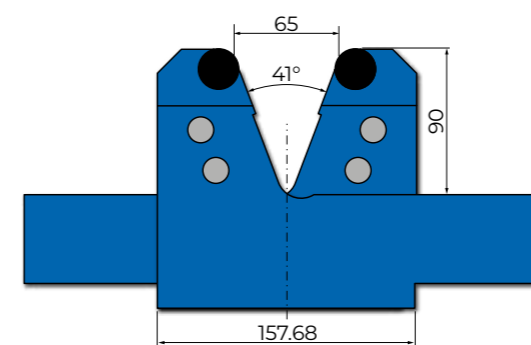
42Cr: 900-1150 N/mm<sup>2</sup>

2000 kN/m max. at 90°

AD65.185

250 mm	=	44.0 kg
500 mm		86.0 kg
550 mm		96.0 kg
1000 mm		170.0 kg
1050 mm		180.0 kg

- V=65-185 mm
- Ángulo de 60°-180°
- Radio R=12.5 mm





## Matrices regulables

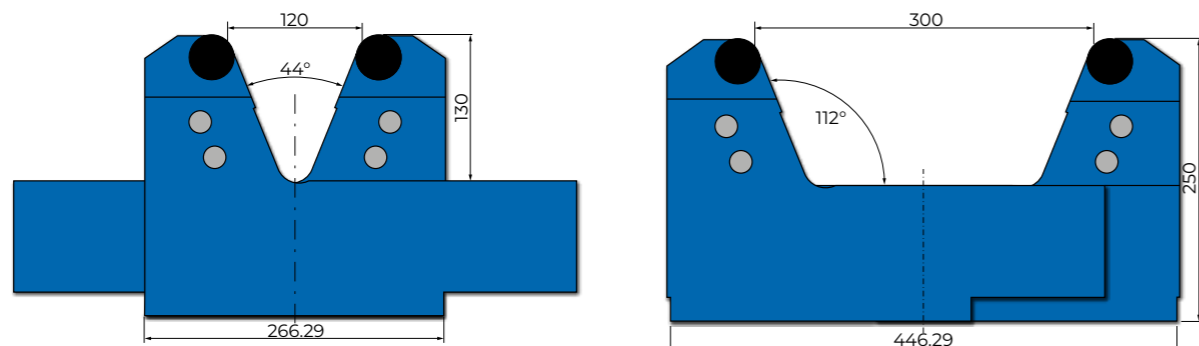
42Cr: 900-1150 N/mm<sup>2</sup>

4000 kN/m max. at 90°

### AD120.300

600 mm  360.0 kg

- V=120-300 mm
- Ángulo de 60°-180°
- Radio R=20 mm



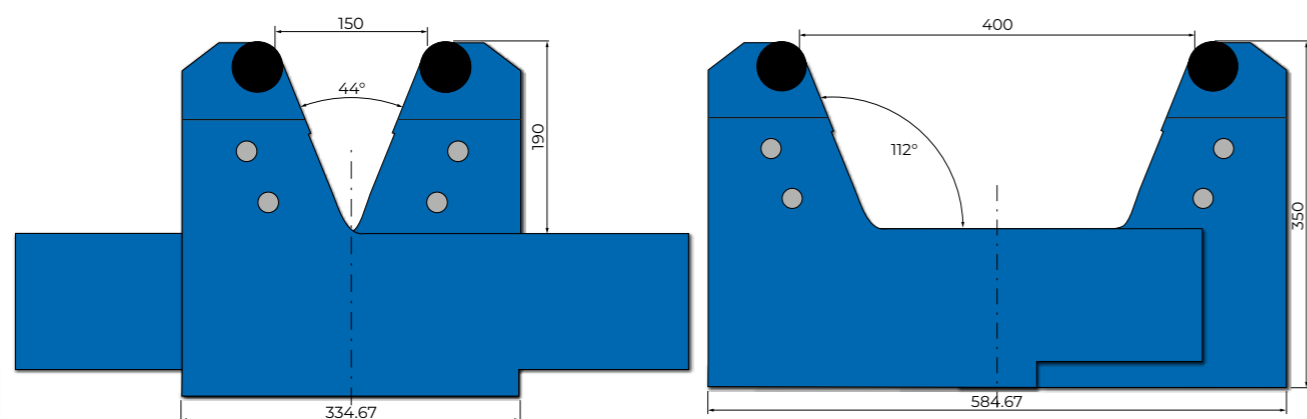
42Cr: 900-1150 N/mm<sup>2</sup>

6000 kN/m max. at 90°

### AD150.400

600 mm  560.0 kg

- V=150-400 mm
- Ángulo de 60°-180°
- Radio R=25 mm



## Barras

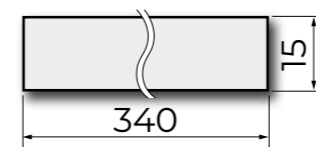


42Cr: 900-1150 N/mm<sup>2</sup>

### BAR AD25.185 » AD25.125 + AD65.185


500 mm		21.0 kg
1000 mm		42.0 kg
2000 mm		84.0 kg

Largos para barra distanciadora:  
2-5-10-15-20-30-40-50

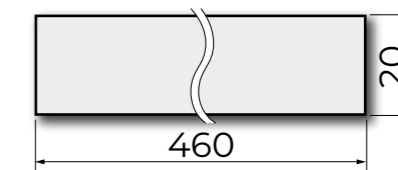


42Cr: 900-1150 N/mm<sup>2</sup>

### BAR AD120.300 » AD120.300

600 mm		45.0 kg
1200 mm		90.0 kg
1800 mm		135.0 kg

Largos para barra distanciadora:  
2-5-10-15-20-30-40-50-60

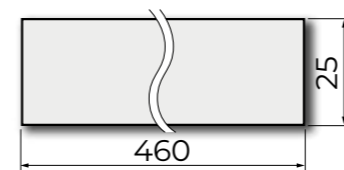


42Cr: 900-1150 N/mm<sup>2</sup>

### BAR AD150.400 » AD150.400

600 mm		55.0 kg
1200 mm		110.0 kg
1800 mm		165.0 kg

Largos para barra distanciadora:  
5-10-15-20-30-40-50-60



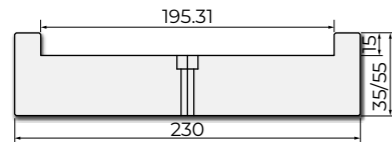
# Soportes

42Cr: 900-1150 N/mm<sup>2</sup>

## HAD25.125 » AD25.125

A = 35 mm			B = 55 mm		
500 mm	⌋	20.0 kg	500 mm	⌋	38.0 kg
1000 mm		40.0 kg	1000 mm		76.0 kg
2000 mm		80.0 kg	2000 mm		152.0 kg
3000 mm		120.0 kg	3000 mm		228.0 kg

Soportes disponibles con fondo plano y con ataque

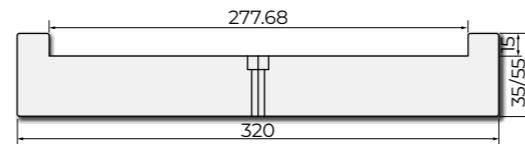


42Cr: 900-1150 N/mm<sup>2</sup>

## HAD65.185 » AD65.185

A = 35 mm			B = 55 mm		
500 mm	⌋	28.0 kg	500 mm	⌋	53.0 kg
1000 mm		56.0 kg	1000 mm		106.0 kg
2000 mm		112.0 kg	2000 mm		212.0 kg
3000 mm		168.0 kg	3000 mm		424.0 kg

Soportes disponibles con fondo plano y con ataque

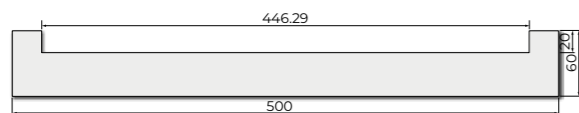


42Cr: 900-1150 N/mm<sup>2</sup>

## HAD120.300 » AD120.300

600 mm	⌋	99.0 kg
1200 mm		198.0 kg
2400 mm		396.0 kg
3000 mm		495.0 kg

Adaptador disponible con fondo plano

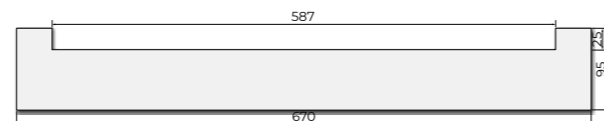


42Cr: 900-1150 N/mm<sup>2</sup>

## HAD150.400 » AD150.400

600 mm	⌋	230.0 kg
1200 mm		460.0 kg
2400 mm		920.0 kg
3000 mm		1.150.0 kg

Adaptador disponible con fondo plano



# Matrices con rodillos

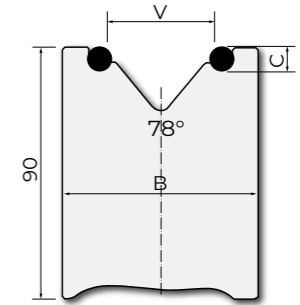


42Cr: 900-1150 N/mm<sup>2</sup>

Rodillo: C53: 610-760 N/mm<sup>2</sup>

## MR90

	V [mm]	B [mm]	C [mm]	L [mm]		
MR90.20.78	20	45	6	835	⌋	15.0 kg
MR90.24.78	24	49	6	835	⌋	17.0 kg
MR90.30.78	30	60	8	835	⌋	21.0 kg
MR90.40.78	40	70	8	835	⌋	24.0 kg
MR90.50.78	50	84	10	835	⌋	28.0 kg
MR90.60.78	60	94	10	835	⌋	31.0 kg
MR90.70.78	70	104	10	835	⌋	35.0 kg

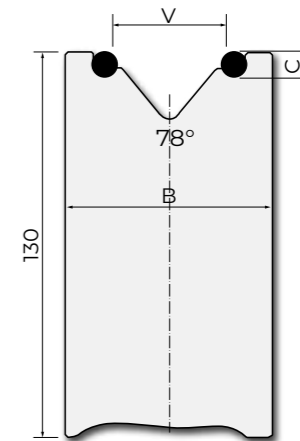


42Cr: 900-1150 N/mm<sup>2</sup>

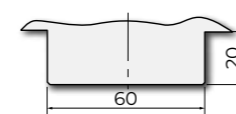
Rodillo: C53: 610-760 N/mm<sup>2</sup>

## MR130

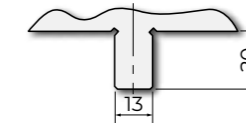
	V [mm]	B [mm]	C [mm]	L [mm]		
MR130.20.78	20	45	6	835	⌋	22.0 kg
MR130.24.78	24	49	6	835	⌋	25.0 kg
MR130.30.78	30	60	8	835	⌋	28.0 kg
MR130.40.78	40	70	8	835	⌋	34.0 kg
MR130.50.78	50	84	10	835	⌋	40.0 kg
MR130.60.78	60	94	10	835	⌋	45.0 kg
MR130.75.78	75	118	16	835	⌋	50.0 kg
MR130.80.78	80	123	16	835	⌋	55.0 kg
MR130.90.78	90	133	16	835	⌋	60.0 kg
MR130.100.78	100	143	16	835	⌋	65.0 kg
MR130.120.78	120	163	16	835	⌋	70.0 kg



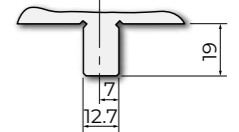
A10



A11



A13

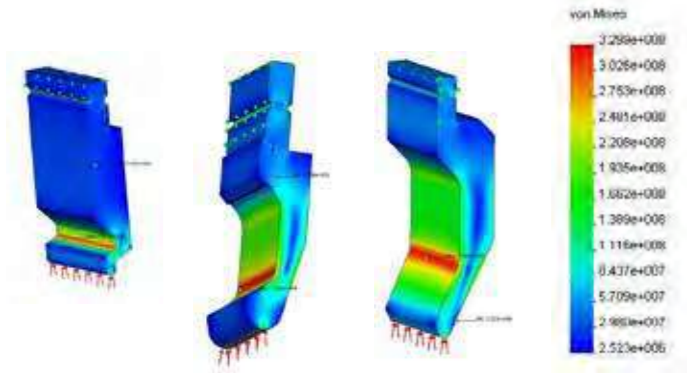


## Útiles de alta resistencia

El plegado de materiales con una resistencia extremadamente alta (Hardox, Weldox, etc.) se ha convertido en una tarea importante.

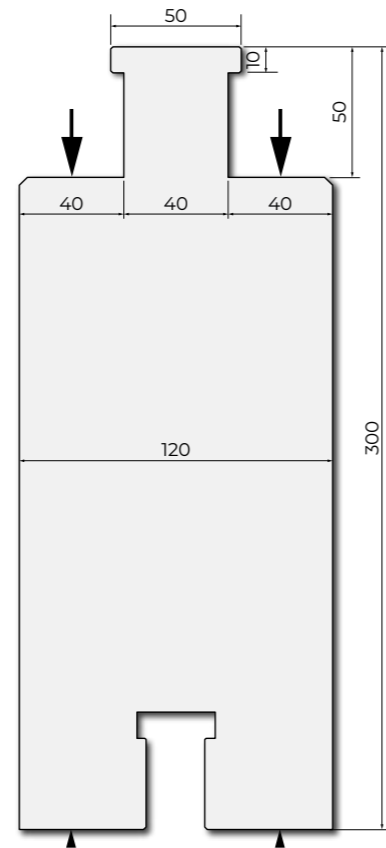
Las herramientas de alta resistencia de Rolleri están diseñadas y fabricadas para estos desafíos.

Las herramientas que tienen una capacidad de hasta 4000 kN / m le ofrecen muchas posibilidades de producción.



Ver tabla

RHD.300					
RHD.300-250	500 mm		122.0 kg	2500	42Cr: 900-1150 N/mm <sup>2</sup>
RHD.300-400	500 mm		122.0 kg	4000	1.2767: 1100-1320 N/mm <sup>2</sup>

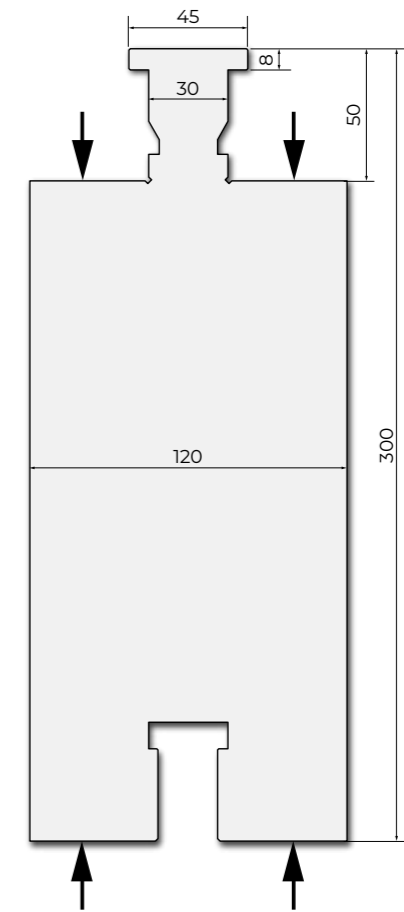


## Útiles de alta resistencia



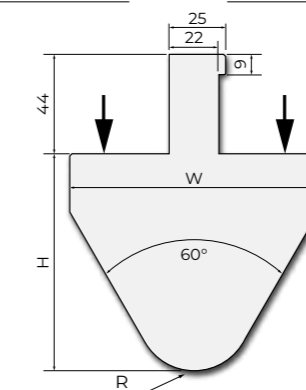
Ver tabla

RHD.300 HYD					
RHD.300-250	500 mm		120.0 kg	2500	42Cr: 900-1150 N/mm <sup>2</sup>
RHD.300-400	500 mm		120.0 kg	4000	1.2767: 1100-1320 N/mm <sup>2</sup>



2500 kN/m max. RHDP-250 / 4000 kN/m max. RHDP-400

RHDP.60					
	L [mm]	H [mm]	W [mm]	R	
RHDP.60.20-250	500	96	110	20	42Cr: 900-1150 N/mm <sup>2</sup>
RHDP.60.25-250	500	96	110	25	42Cr: 900-1150 N/mm <sup>2</sup>
RHDP.60.30-250	500	96	110	30	42Cr: 900-1150 N/mm <sup>2</sup>
RHDP.60.40-250	500	96	110	40	42Cr: 900-1150 N/mm <sup>2</sup>
RHDP.60.50-250	500	96	110	50	42Cr: 900-1150 N/mm <sup>2</sup>
RHDP.60.60-250	500	96	110	60	42Cr: 900-1150 N/mm <sup>2</sup>
RHDP.60.70-250	500	86	140	70	42Cr: 900-1150 N/mm <sup>2</sup>
RHDP.60.80-250	500	86	150	80	42Cr: 900-1150 N/mm <sup>2</sup>
RHDP.60.90-250	500	86	165	90	42Cr: 900-1150 N/mm <sup>2</sup>
RHDP.60.100-250	500	86	185	100	42Cr: 900-1150 N/mm <sup>2</sup>
RHDP.60.20-400	500	96	110	20	1.2767: 1100-1320 N/mm <sup>2</sup>
RHDP.60.25-400	500	96	110	25	1.2767: 1100-1320 N/mm <sup>2</sup>
RHDP.60.30-400	500	96	110	30	1.2767: 1100-1320 N/mm <sup>2</sup>
RHDP.60.40-400	500	96	110	40	1.2767: 1100-1320 N/mm <sup>2</sup>
RHDP.60.50-400	500	96	110	50	1.2767: 1100-1320 N/mm <sup>2</sup>
RHDP.60.60-400	500	96	110	60	1.2767: 1100-1320 N/mm <sup>2</sup>
RHDP.60.70-400	500	86	140	70	1.2767: 1100-1320 N/mm <sup>2</sup>
RHDP.60.80-400	500	86	150	80	1.2767: 1100-1320 N/mm <sup>2</sup>
RHDP.60.90-400	500	86	165	90	1.2767: 1100-1320 N/mm <sup>2</sup>
RHDP.60.100-400	500	86	185	100	1.2767: 1100-1320 N/mm <sup>2</sup>



## Útiles de alta resistencia

42Cr: 900-1150 N/mm<sup>2</sup>

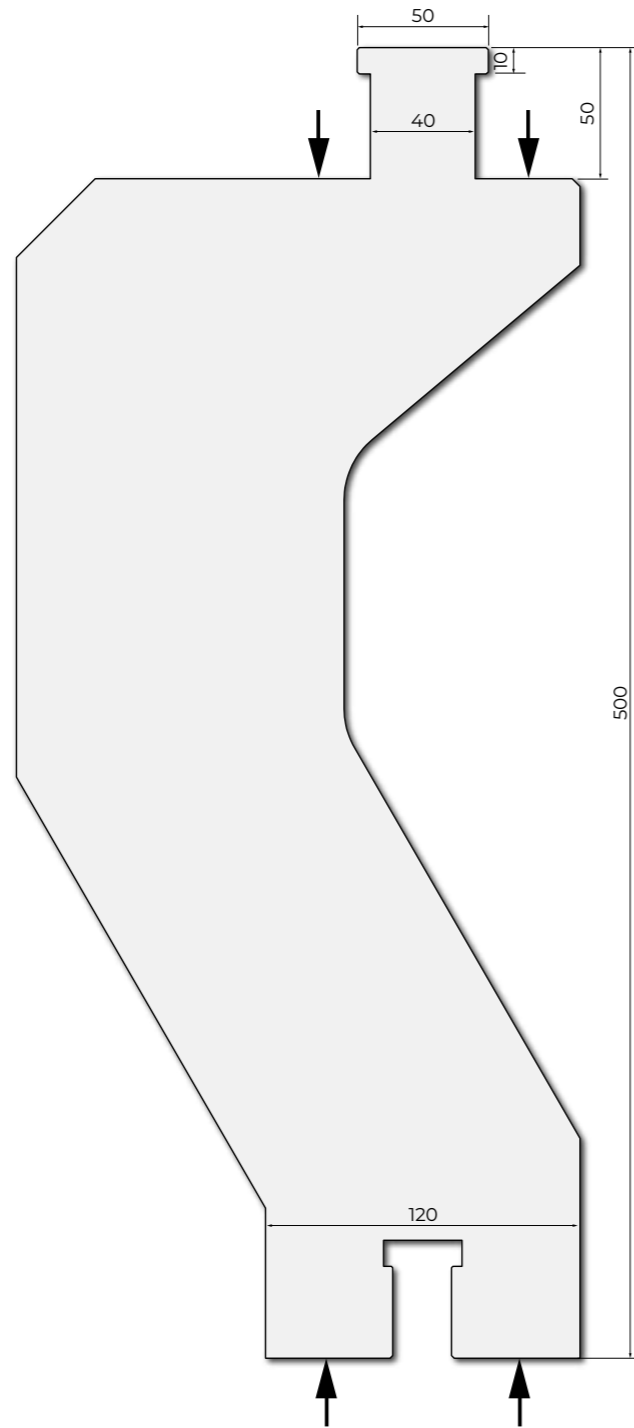
2000 kN/m max.

RHD.500-200

150 mm



253.0 kg



## Útiles especiales



ÚTILES ESPECIALES PARA:

- ▶ Perfil en Z
- ▶ Perfil en  $\Omega$  o trapezoidal
- ▶ Plegado cónico o para embutición
- ▶ Perfil para bisagras
- ▶ Perfil para plegado y aplanado (chafado)
- ▶ Perfil para enrollamiento
- ▶ Perfil para curvar
- ▶ Perfiles especiales

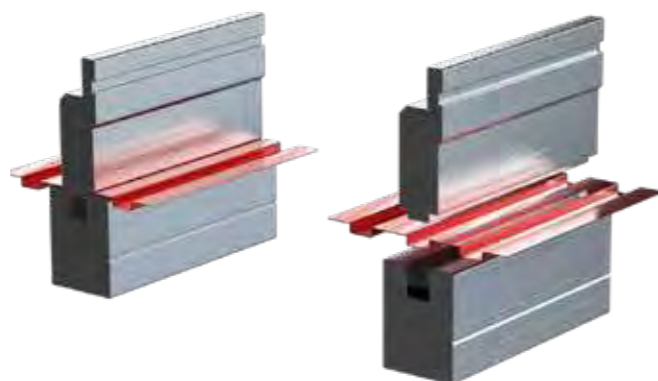
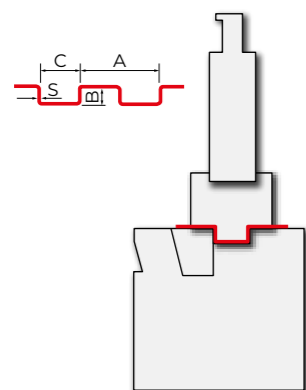






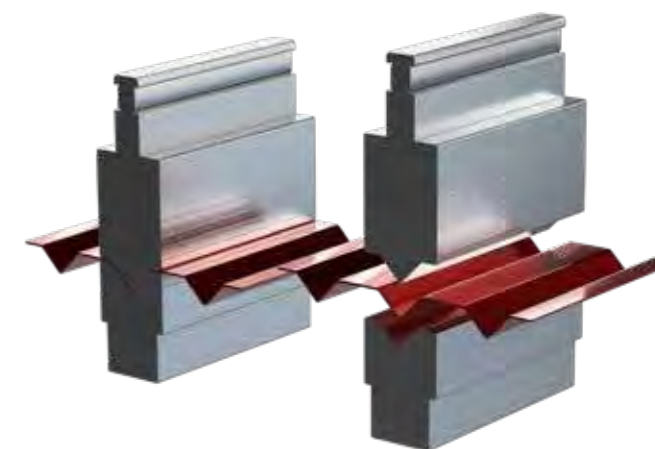
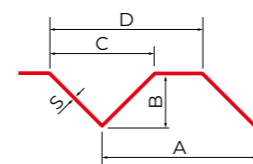
SPE1

SPE1 Ejemplo de inserción



SPE4

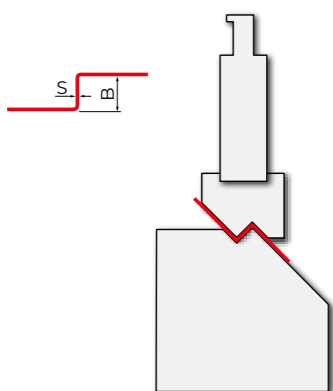
SPE4 Ejemplo de inserción



SPE2

→ Perfil en Z

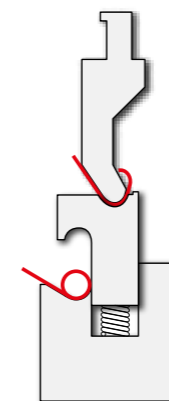
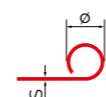
SPE2 Ejemplo de inserción



SPE5

→ Perfil para bisagras o de enrollamiento

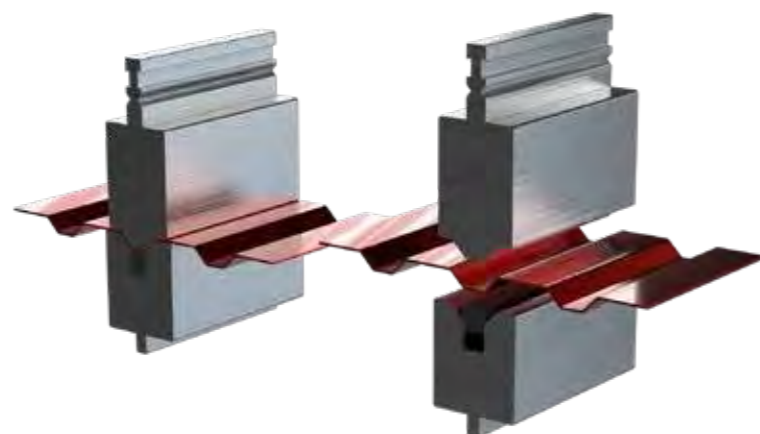
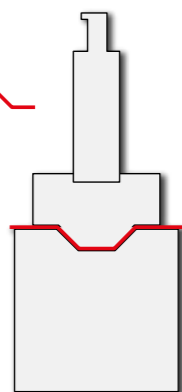
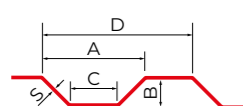
SPE5 Ejemplo de inserción



SPE3

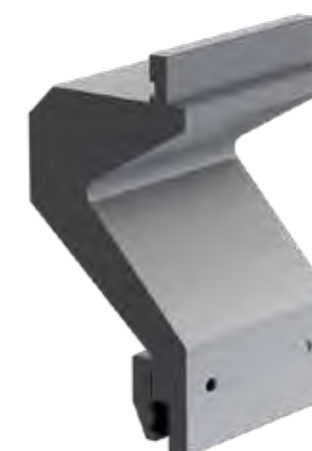
→ Perfil en Ω

SPE3 Ejemplo de inserción



SPE-P4

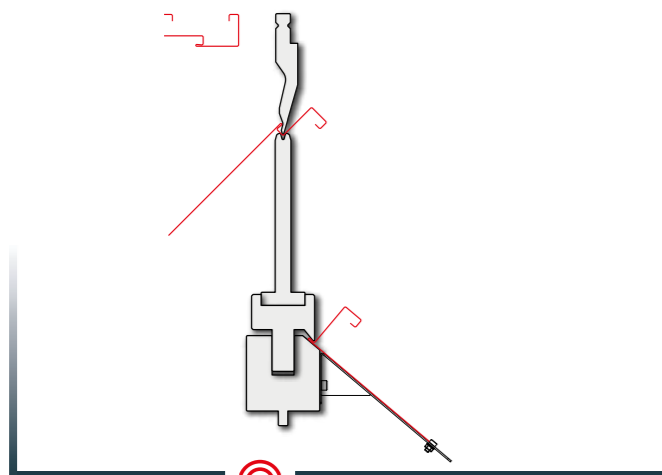
SPE-P4 Ejemplo de inserción



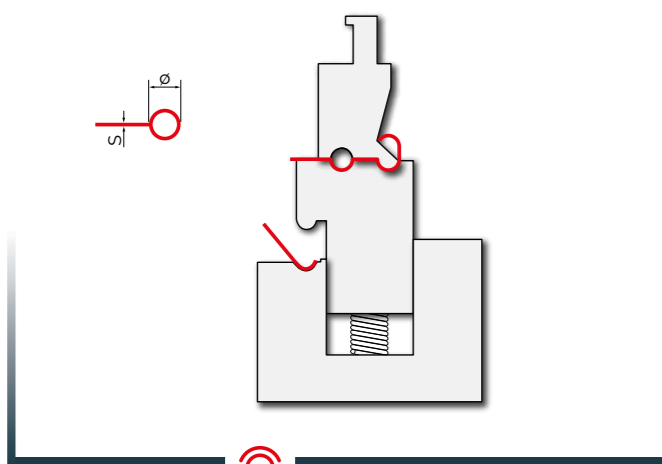




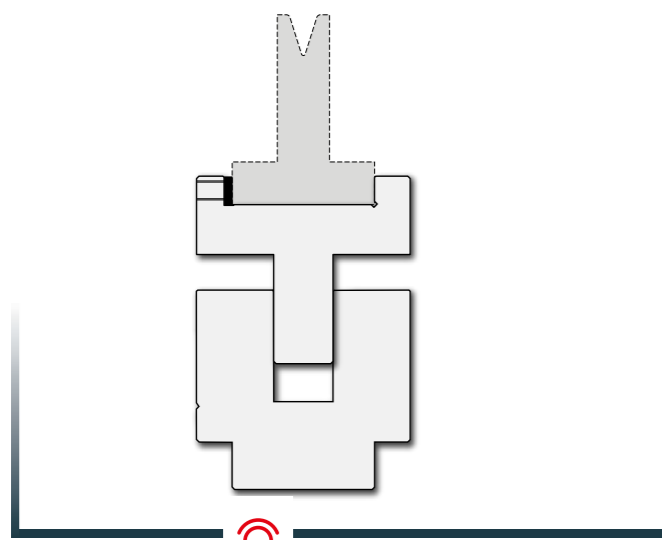
Útil para pre-plegado y aplanado



SPE6



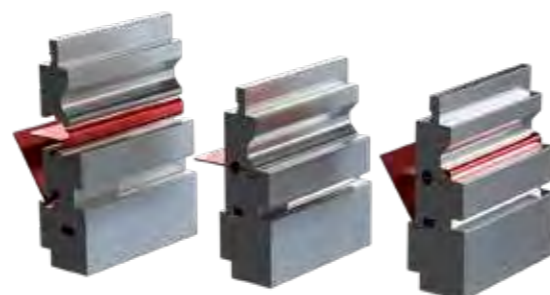
SPE9



Ejemplo de inserción



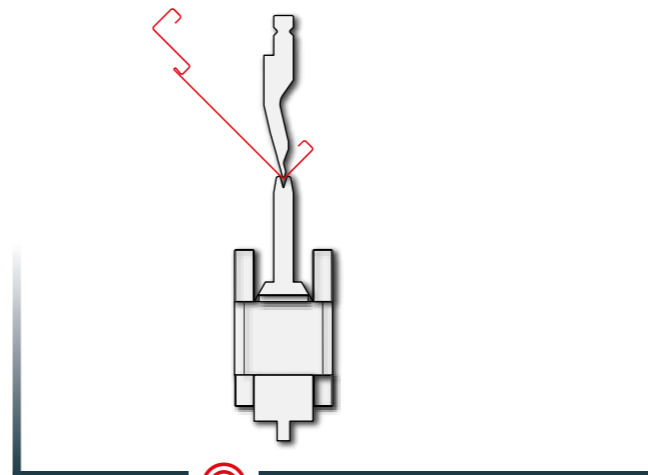
SPE6 Ejemplo de inserción



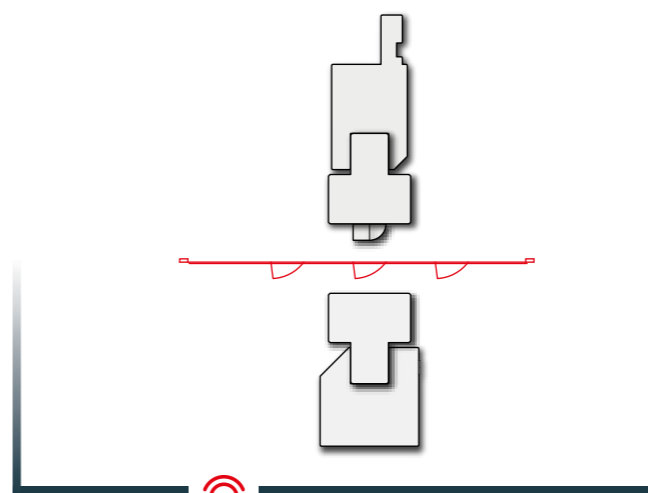
SPE9 Ejemplo de inserción



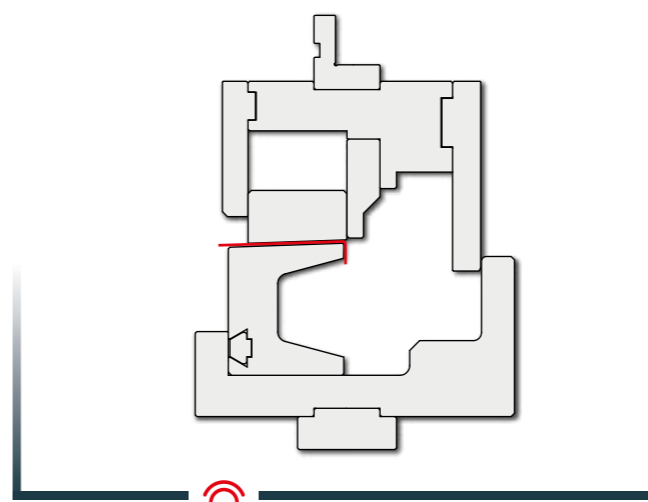
Perfil especial - Marco de puerta (carpintería metálica)



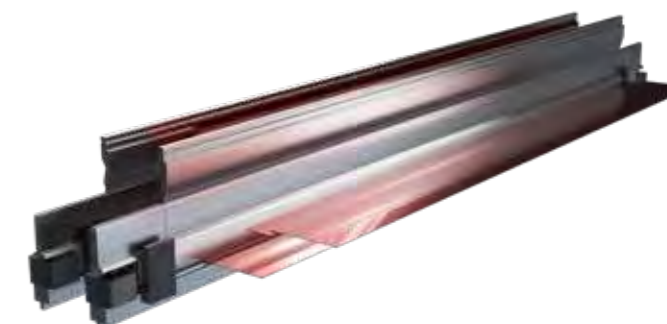
SPE10



SPE12



Ejemplo de inserción



SPE10 Ejemplo de inserción

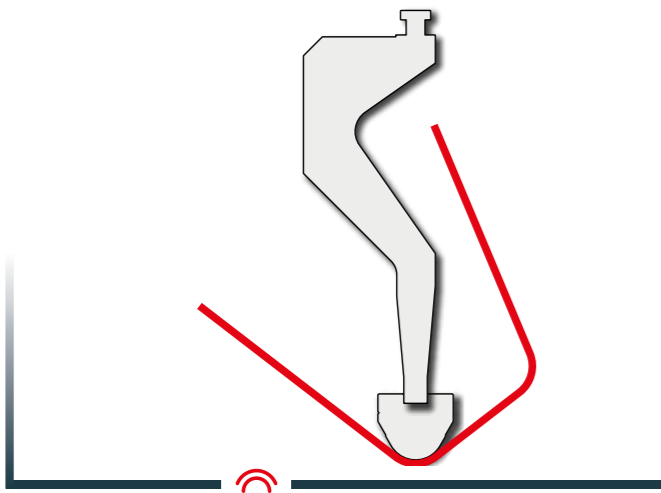


SPE12 Ejemplo de inserción



Algunos ejemplos de útiles especiales

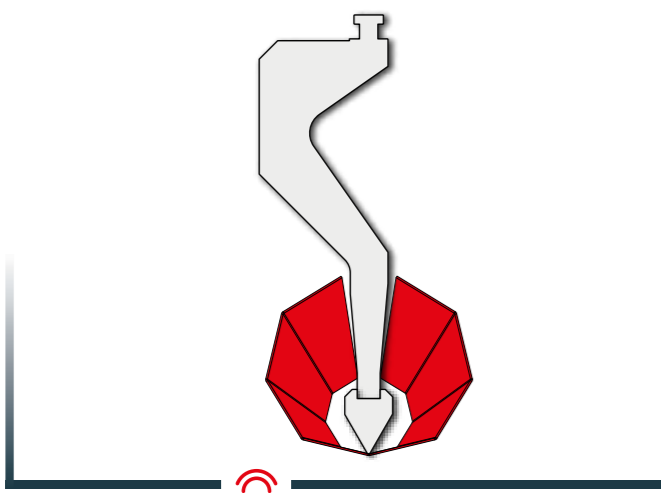
Perfil especial



Ejemplo de inserción



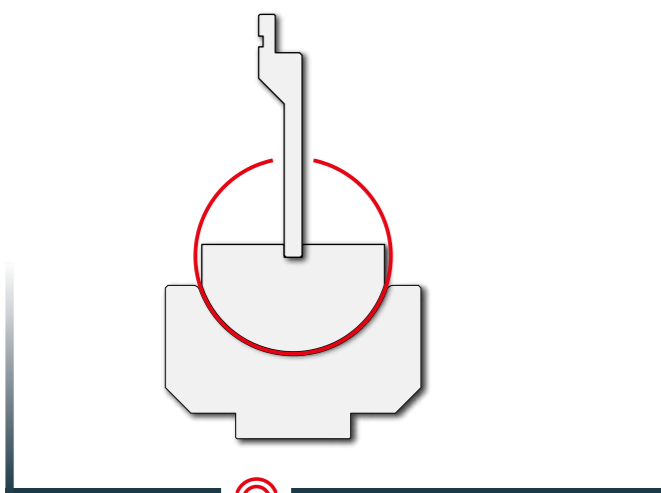
Perfil especial - tipo Bumping cónico



Ejemplo de inserción



Perfil especial - tipo Bumping cilíndrico



Ejemplo de inserción





Algunos ejemplos de útiles especiales

Perfil especial



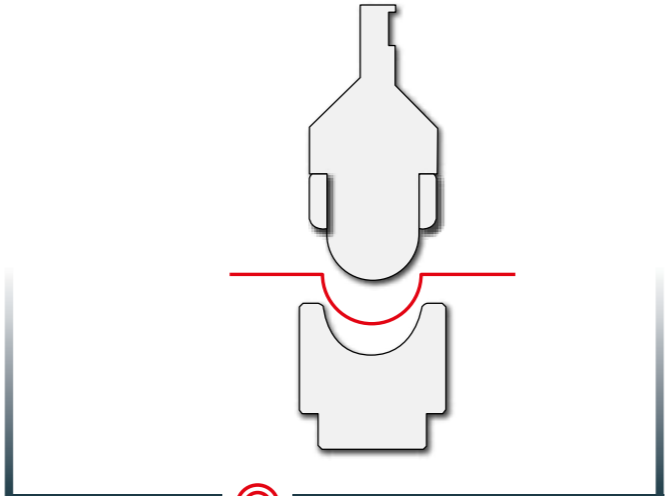
Perfil especial - Mobiliario hostelería



Perfil especial



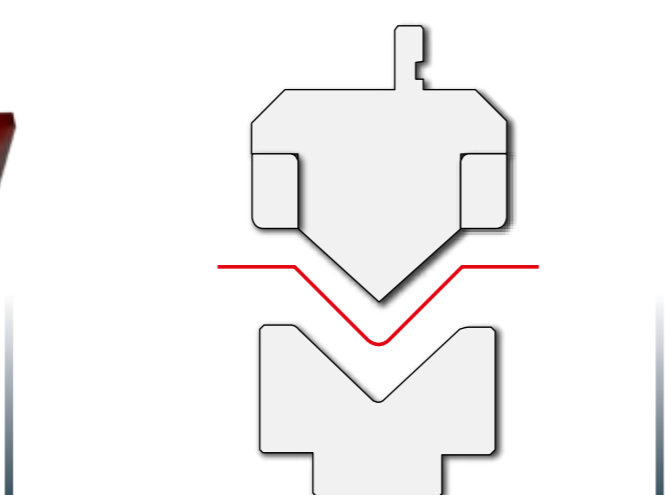
Plegado curvo



Perfil especial - Mobiliario hostelería



Plegado cónico





## ACCESORIOS ROLLERI

<b>Armarios para herramientas</b>	254 - 259
Características	254
Armarios para herramientas	255 - 256
Equipamientos y accesorios	257
<b>Trolley para útiles</b>	260 - 261
<b>Maletín de medición</b>	262
<b>Escuadras de posicionamiento</b>	263
<b>Soportes o topes delanteros y calibrador trasero</b>	264
<b>Laser tracker</b>	266 - 267



## Características

- ▶ Protección contra el polvo y la degradación
- ▶ Estructura robusta
- ▶ Fácil acceso a la herramienta
- ▶ Almacenamiento claro y ordenado
- ▶ Estantes regulables en altura
- ▶ Las bandejas pueden posicionarse en los cajones según necesidades

- ▶ 1,5 mm de espesor
- ▶ Carga útil: 250-280 kg por cajón



## Armarios para herramientas



Capacidad de almacenamiento 20 m Long. máx útiles = 835 mm 280 kg max./cajones

ARM 835-4						
Rolleri Ref.	B [mm]	H [mm]	P [mm]	Cajones	Precio	Peso
ARM 835-4	850	1240	1050	4 (CS-1)	€ 1.986,-	271,0 kg

Nº bandejas	Rolleri Ref.	Ataque útiles
16	UC-13-1	13 mm
4	UL-13-3	13 mm



Capacidad de almacenamiento 25 m Long. máx útiles = 835 mm 280 kg max./cajones

ARM 835-5						
Rolleri Ref.	B [mm]	H [mm]	P [mm]	Cajones	Precio	Peso
ARM 835-5	1040	1240	1050	5 (CS-1)	€ 2.149,-	350,0 kg

Nº bandejas	Rolleri Ref.	Ataque útiles
20	UC-13-1	13 mm
5	UL-13-3	13 mm



Capacidad de almacenamiento 26/29 m Long. máx útiles = 1.060 mm 250 kg max./cajones

ARM 1060-4.13						
Rolleri Ref.	B [mm]	H [mm]	P [mm]	Cajones	Precio	Peso
ARM 1060-4.13	850	1240	1360	4 (CS-2)	€ 2.392,-	340,0 kg

Nº Bandejas	Rolleri Ref.	Ataque útiles
20	UL-13-4	13 mm



Capacidad de almacenamiento 32,5/32 m Long. máx útiles = 1.060 mm 250 kg max./cajones

ARM 1060-5.13						
Rolleri Ref.	B [mm]	H [mm]	P [mm]	Cajones	Precio	Peso
ARM 1060-5.13	1040	1240	1360	5 (CS-1)	€ 2.693,-	400,0 kg

Nº Bandejas	Rolleri Ref.	Ataque útiles
25	UL-13-4	13 mm





## Armarios para herramientas

Capacidad de almacenamiento 26/29m Long. máx útiles = 1.060 mm 250 kg max./cajones

ARM 1060-4 / -CV						
Rolleri Ref.	B [mm]	H [mm]	P [mm]	Cajones	Precio	Peso
ARM 1060-4	850	1240	1360	4 (CS-2)	€ 2.730,-	340.0 kg
ARM 1060-4-CV	850	1240	1360	4 (CS-2)	€ 3.058,-	351.0 kg

Nº Bandejas	Rolleri Ref	Ataque útiles	Nº Bandejas	Rolleri Ref	Ataque útiles
ARM 1060-4			ARM 1060-4-CV		
16	UC-20-2	20 mm	20	UC-20-1	20 mm
4	UL-20-4	20 mm	10	UL-20-4	20 mm



Capacidad de almacenamiento 32/52m Long. máx útiles = 1.060 mm 250 kg max./cajones

ARM 1060-5 / -CV						
Rolleri Ref.	B [mm]	H [mm]	P [mm]	Cajones	Precio	Peso
ARM 1060-5	1040	1240	1360	5 (CS-2)	€ 3.142,-	400.0 kg
ARM 1060-5-CV	1040	1240	1360	5 (CS-2)	€ 3.741,-	490.0 kg

Nº Bandejas	Rolleri Ref	Ataque útiles	Nº Bandejas	Rolleri Ref	Ataque útiles
ARM 1060-5			ARM 1060-5-CV		
20	UC-20-2	20 mm	30	UC-20-1	20 mm
5	UL-20-4	20 mm	10	UL-20-4	20 mm



Capacidad de almacenamiento 20/8/12m Long. máx útiles = 1.060 mm 250 kg max./cajones

ARM 1060-4-T / -CV						
Rolleri Ref.	B [mm]	H [mm]	P [mm]	Cajones	Precio	Peso
ARM 1060-4-T	850	1240	1360	4 (CS-2)	€ 2.392,-	340.0 kg
ARM 1060-4-T-CV	850	1240	1360	4 (CS-2)	€ 3.022,-	395.0 kg

Nº Bandejas	Rolleri Ref	Ataque útiles	Nº Bandejas	Rolleri Ref	Ataque útiles
ARM 1060-4-T			ARM 1060-4-T-CV		
8	UL-13-4	13 mm	16	UC-13-1	13 mm
8	UT-4	13 mm	8	UT-4	13 mm



Capacidad de almacenamiento 26/46m Long. máx útiles = 1.060 mm 250 kg max./cajones

ARM 1060-5-T / -CV						
Rolleri Ref.	B [mm]	H [mm]	P [mm]	Cajones	Precio	Peso
ARM 1060-5-T	1040	1240	1360	5 (CS-2)	€ 2.700,-	400.0 kg
ARM 1060-5-T-CV	1040	1240	1360	5 (CS-2)	€ 3.660,-	400.0 kg

Nº Bandejas	Rolleri Ref	Ataque útiles	Nº Bandejas	Rolleri Ref	Peso
ARM 1060-5-T			ARM 1060-5-T-CV		
10	UL-13-4	13 mm	24	UC-13-1	13 mm
10	UT-4	13 mm	8	UT-4	13 mm



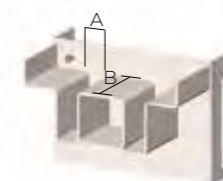
## Equipamientos y accesorios



### UC-Bandejas

	L [mm]	A [mm]	B [mm]		
UC-13-1	125	13	76	€ 51,-	0.5 kg
UC-13-2	250	13	232	€ 75,-	1.0 kg
UC-20-1	125	20	76	€ 51,-	0.5 kg
UC-20-2	250	20	232	€ 75,-	1.0 kg

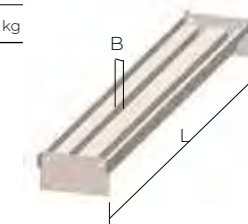
2 piezas



Soporte

### UL-Bandejas

	L [mm]	B [mm]		
UL-13-1	270	13	€ 51,-	1.2 kg
UL-13-2	580	13	€ 51,-	2.5 kg
UL-13-3	1050	13	€ 51,-	4.6 kg
UL-13-4	1360	13	€ 51,-	6.0 kg
UL-20-1	270	20	€ 51,-	1.4 kg
UL-20-2	580	20	€ 51,-	3.2 kg
UL-20-3	1050	20	€ 51,-	5.8 kg
UL-20-4	1360	20	€ 51,-	7.5 kg

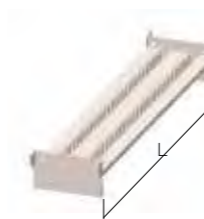


Soporte

### UT-Bandejas

	L [mm]		
UT-1	270	€ 74,-	1.4 kg
UT-2	580	€ 74,-	3.2 kg
UT-3	1050	€ 74,-	5.8 kg
UT-4	1360	€ 74,-	7.5 kg

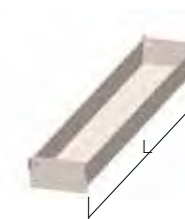
Adecuado para útiles superiores con spin



Soporte

### UV-Bandejas

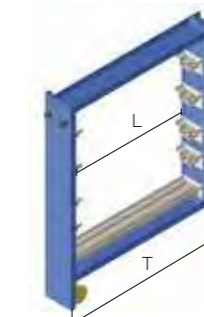
	L [mm]		
UV-1	270	€ 40,-	1.0 kg
UV-2	580	€ 40,-	2.0 kg
UV-3	1050	€ 40,-	4.3 kg
UV-4	1360	€ 40,-	5.5 kg



Soporte

### CS-Cajones

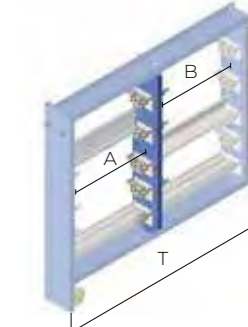
	T [mm]	L [mm]		
CS-1	1050	856	€ 118,-	22.0 kg
CS-2	1360	1166	€ 130,-	25.0 kg



Soporte

### CV-Cajones

	T [mm]	A [mm]	L [mm]		
CV-1	1050	580	270	€ 59,-	7.0 kg
CV-2	1360	580	580	€ 59,-	7.0 kg



Soporte





## Trolley para útiles

Capacidad de almacenamiento 26/39 m Long. máx útiles = 1.060 mm 250 kg max./cajones

### A Trolley

B [mm]	H [mm]	P [mm]	Bandejas	Precio	Peso
1060	1520	1160	30	€ 1.252,-	108.0 kg

R1

Capacidad de almacenamiento 26/39 m Long. máx útiles = 1.060 mm 250 kg max./cajones

### T Trolley

B [mm]	H [mm]	P [mm]	Bandejas	Precio	Peso
1060	1520	1160	21	€ 1.503,-	175.0 kg

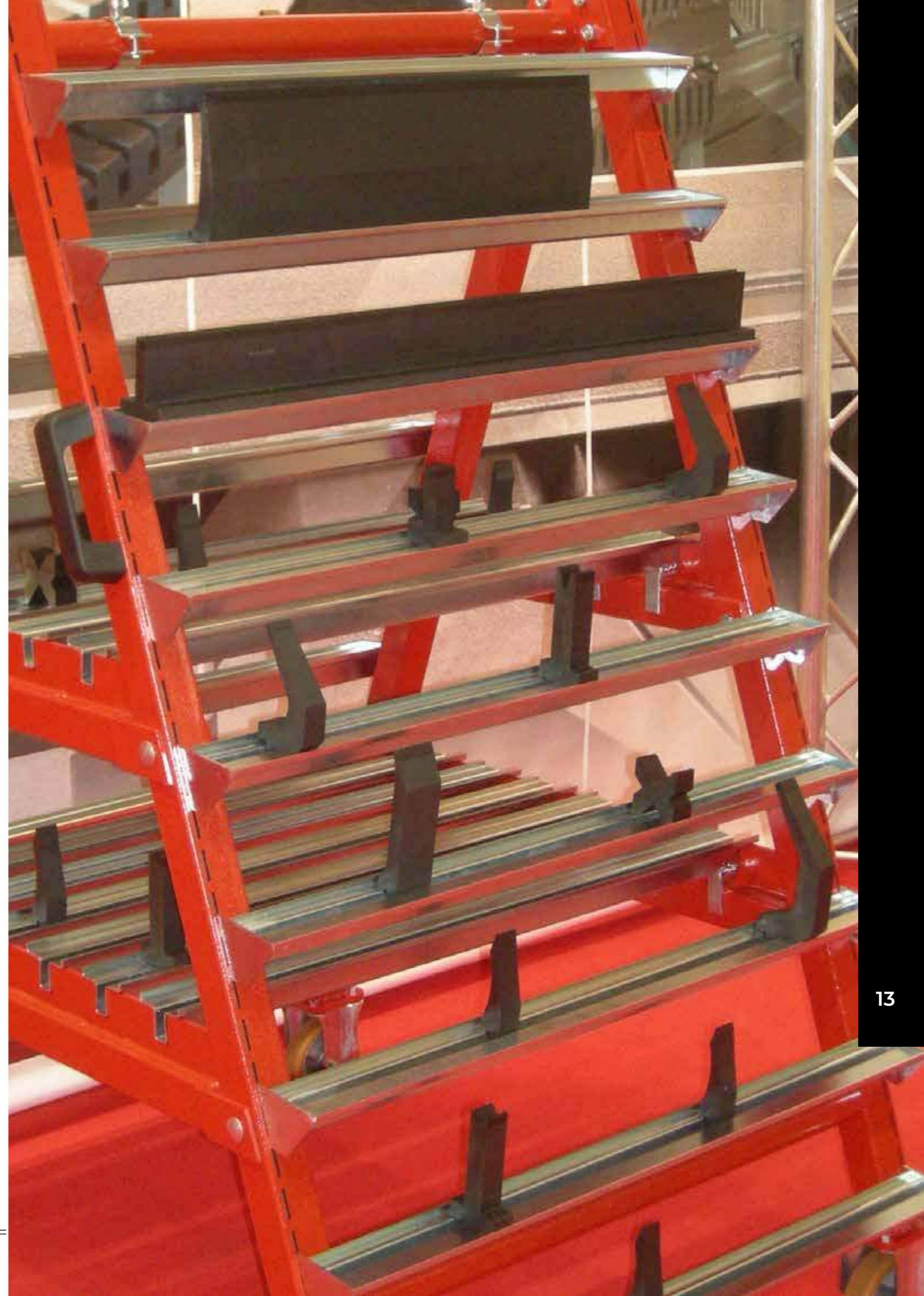
R2

Capacidad de almacenamiento 26/39 m Long. máx útiles = 1.060 mm 250 kg max./cajones

### B Trolley

B [mm]	H [mm]	P [mm]	Bandejas	Precio	Peso
1060	1520	1160	21	€ 1.461,-	135.0 kg

R3





## Maletín de medición

### Maletín de medición

€ 215,- 1,6 kg

Contiene todos los elementos de medida necesarios para el trabajo con plegadoras

- ▶ GONIÓMETRO CON LENTE
- ▶ CALIBRADOR DIGITAL
- ▶ ESCUADRA



## Escuadras de posicionamiento



### MSA - magnético

MSA.D	Derecho	Por unidad	€ 244,-	1,4 kg
MSA.S	Izquierda	Por unidad	€ 244,-	1,4 kg



## Topes anteriores y posteriores

### AS

€ 530,- 3.5 kg pz.



### AS FIX

€ 205,- 3.0 kg pz.



### Soportes o topes delanteros RIF

	L[mm]		
RIF500	500	€ 753,-	7.0 kg
RIF1000	1000	€ 886,-	12.0 kg
RIF1500	1500	€ 1.074,-	17.0 kg

- ▶ Asegura el correcto posicionamiento de las láminas de grandes dimensiones
- ▶ Mayor superficie garantiza el correcto posicionamiento de la chapa
- ▶ Fácil de manejar



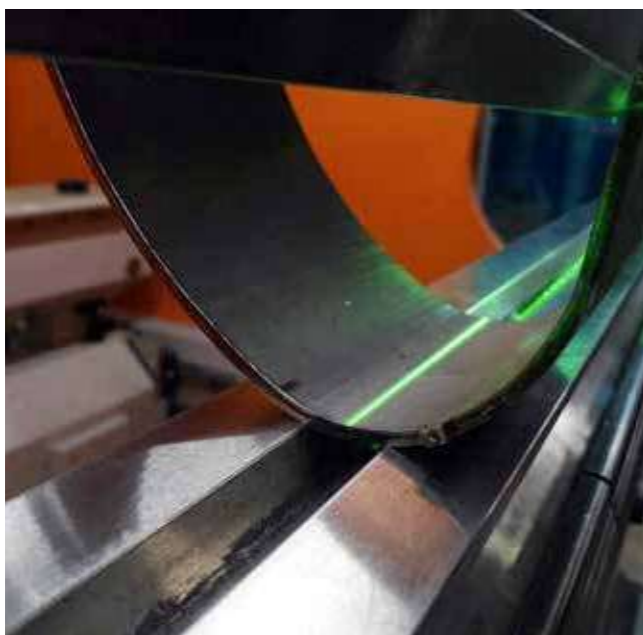
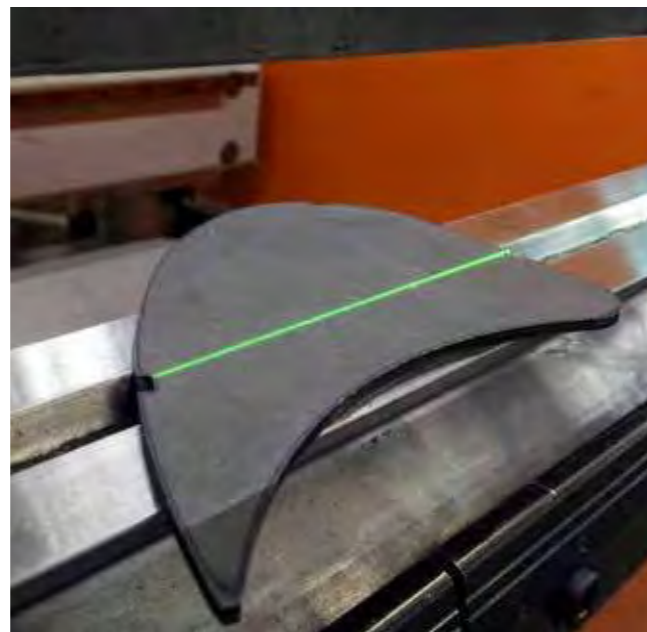
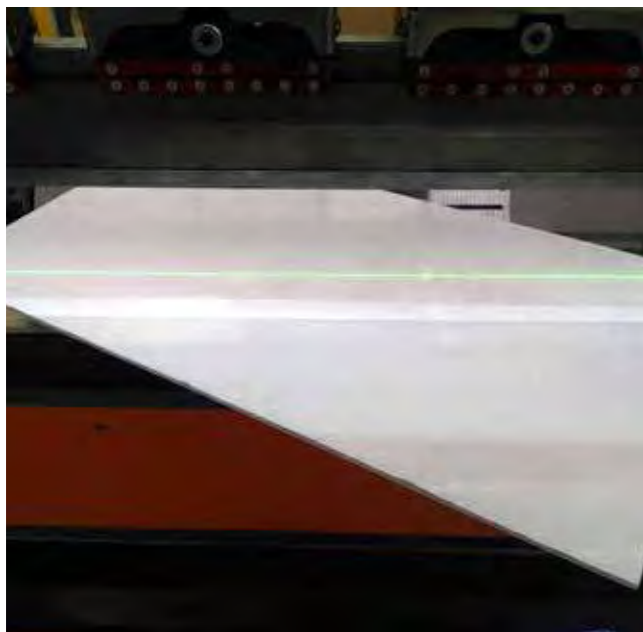


## Laser Tracker

- ▶ Sin necesidad de hacer algunos pasos de programación y la precisión será al instante milimétrico
- ▶ Velocidad y precisión en la ejecución
- ▶ Instalación simple universal
- ▶ Diseño compacto y funcional
- ▶ Resultado asegurado también en multi-estación

Ideal para:

- ▶ Calandrado
- ▶ Plegado cónico (embudos y tolvas)
- ▶ Ciclo de vendaje (refuerzos transversales para paneles finos)
- ▶ Perfiles irregulares difíciles de apoyar en backgauges posteriores
- ▶ Plegado marcado (por ejemplo, marcado con láser u otra referencia con marcas)



	L [mm]	Precio	Peso
Smart Holder	600	€ 304,-	3.0 kg
Laser Tracker	-	€ 551,-	3.0 kg





**MÁS HERRAMIENTAS ROLLERI**

SISTEMAS DE ANCLAJE	270 - 271
CUCHILLAS DE CORTE	272 - 273
ÚTILES PARA PANELADORAS	274
HERRAMIENTAS DE PUNZONADO	275
CONSUMIBLES LÁSER	276 - 277





HERRA- MIENTA	SISTEMA ANCLAJE	SUPE- RIOR	INFE- RIOR	CAMBIO VERTICAL	CAMBIO HORIZONTAL	VERSIÓN NEUMÁTICA	VERSIÓN HIDRÁULICA	VERSIÓN MANUAL
R1	ROL200 KDS	●	-	●	●	●	●	-
R1	ROL200	●	-	●	-	●	●	●
R1	ROL4	●	-	-	●	-	●	●
R1	FAST CLAMP	●	-	●	●	-	-	●
R1	DOUBLE FAST CLAMP	●	-	●	●	-	-	●
R1	EASY CLAMP	●	-	-	●	-	-	●
R1	DOUBLE EASY CLAMP	●	-	-	●	-	-	●
R1	ROL2	-	●	-	-	●	●	●
R2	W ROL	●	-	●	●	●	●	-
R2	W ROL 2	-	●	-	-	●	●	-
R3 R4 FX	ROL3	●	-	●	●	-	●	-
R American	UNIVERSAL FAST CLAMP	●	-	●	-	-	-	●
R American	UNIVERSAL EASY CLAMP	●	-	-	●	-	-	●

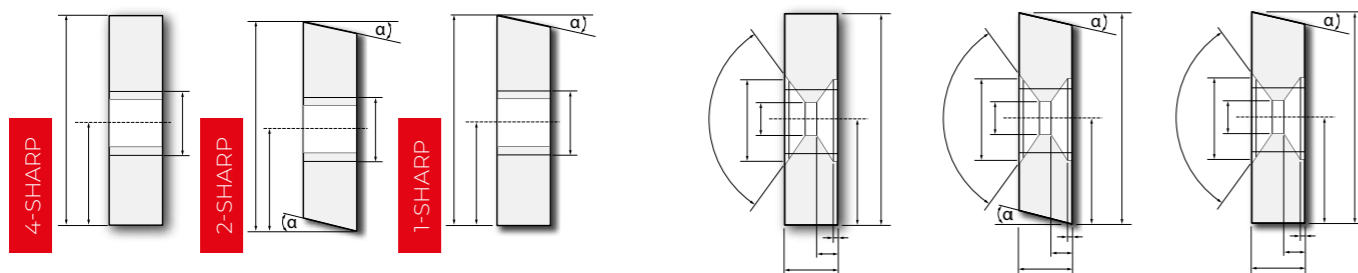
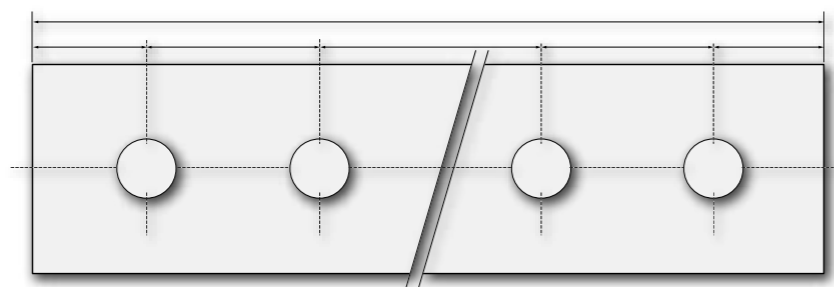


## Cuchillas de corte



Desde hace 20 años producimos nuestras propias cuchillas para cizallas.  
A tal efecto, nuestro acero garantiza habilidad y resistencia al desgaste.

50	55	60	65	70	75	80	85	90	100
50 x 10									
50 x 11									
50 x 12	55 x 12	60 x 12							
50 x 13	55 x 13	60 x 13	65 x 13	70 x 13					
50 x 14	55 x 14	60 x 14	65 x 14	70 x 14					
50 x 15	55 x 15	60 x 15	65 x 15	70 x 15	75 x 15				
	55 x 16	60 x 16	65 x 16	70 x 16	75 x 16	80 x 16			
	55 x 17	60 x 17	65 x 17	70 x 17	75 x 17				
	55 x 18	60 x 18	65 x 18	70 x 18	75 x 18	80 x 18	85 x 18		
	55 x 19	60 x 19	65 x 19	70 x 19	75 x 19	80 x 19	85 x 19		
	55 x 20	60 x 20	65 x 20	70 x 20	75 x 20	80 x 20	85 x 20	90 x 20	100 x 20
					75 x 21	80 x 21	85 x 21	90 x 21	
					75 x 22	80 x 22	85 x 22	90 x 22	100 x 22
					75 x 23	80 x 23	85 x 23	90 x 23	
					75 x 24	80 x 24	85 x 24	90 x 24	
					75 x 25	80 x 25	85 x 25	90 x 25	100 x 25
									100 x 26
									100 x 27
									100 x 28
									100 x 29
									100 x 30



Le rogamos nos facilite la siguiente información:

- ▶ ¿Qué utiliza para cortar con la cizalla: hierro, acero inoxidable o aluminio?
- ▶ ¿Qué espesor suele cortar?
- ▶ ¿Cuánto va a utilizar la cizalla (uso por horas / días / semanas)?
- ▶ ¿Cuántas cuchillas necesitaría?





## Útiles para paneladoras

- ▶ Producción propia (no distribuidores)
- ▶ Soluciones personalizadas
- ▶ Tras un primer control de calidad, cada pieza recibe un número de serie que permite una mejor trazabilidad
- ▶ Rectificado de precisión (tolerancia  $\pm 0,01$  mm)
- ▶ Reproducción 100% garantizada
- ▶ Perfecto paralelismo
- ▶ Materiales que garantizan una alta resistencia mecánica



## Herramientas de punzonado



**ROLLERI TIPO R1** → Compatible con OEM: Amada, Amada ABS, Wilson HP, Wilson HP WLS and Mate Ultra Tec

- ▶ A-E Station
- ▶ Multi-herramientas
- ▶ Accesorios

**ROLLERI TIPO R2** → Compatible con OEM: Trumpf

- ▶ Herramientas estándar
- ▶ Multi-herramientas
- ▶ Herramientas de corte longitudinal
- ▶ Accesorios

**ROLLERI TIPO RS** → Compatible con OEM: Salvagnini

- ▶ Type 3 Tools

**ROLLERI TIPO R4** → Compatible con OEM: Geka, Peddinghaus, Mubéa-Sunrise, Selfer, Alfra, Imac, Ficep, Kingsland

- ▶ Ironworker

**HERRAMIENTAS ESPECIALES** → TOTALMENTE COMPATIBLE CON LA PUNZONADORA THICK TURRET.



SOLICITAR **NUEVO**  
CATÁLOGO COMPLETO  
DE **ROLLERI**



#### LENTES LASER CO2

Lentes ROLLERI Tipo A

- ▶ <0.2% absorción
- ▶ Vida útil alta
- ▶ Calidad garantizada
- ▶ Menisco y lentes plano-convexas

Lentes ROLLERI Tipo C

- ▶ <0.13% absorción
- ▶ Vida útil alta
- ▶ Adecuado para láseres de alta potencia
- ▶ Compatible con el láser heNe
- ▶ Menisco y lentes plano-convexas

#### LENTES LÁSER DE FIBRA

- ▶ Hecho de sílice fundida para alta potencia
- ▶ Porcentaje mínimo de absorción
- ▶ Recubierto de superficie

#### VENTANA PROTECTORA

- ▶ Mejores resultados
- ▶ Mejor relación calidad-precio
- ▶ Recubierto de superficie
- ▶ Baja absorción

#### BOQUILLAS

- ▶ Compatible con la mayoría de los láseres OEM
- ▶ Tolerancia de producción ajustada
- ▶ Boquillas normales y cromadas para láseres de Co2
- ▶ Boquillas para láseres de fibra
- ▶ Cerámica
- ▶ Accesorios y repuestos



SOLICITAR **NUEVO**  
CATÁLOGO COMPLETO  
DE **ROLLERI**







## ESPECIFICACIONES Y MODIFICACIONES EN HERRAMIENTAS

<b>ESPECIFICACIONES HERRAMIENTAS</b>	280 - 281
<b>MODIFICACIONES HERRAMIENTAS</b>	282 - 289
Ⓜ <sub>1</sub> - Modificaciones de los ataques estándar	282
Ⓜ <sub>2</sub> - Modificaciones de los ataques estándar	283
Ⓜ <sub>3</sub> - Modificaciones de los ataques estándar	284
Fraccionamientos especiales	284
Bigornias	285
Modificación de la V de la matriz	285
Modificación del radio	285
Modificación del ángulo	286
Guía de matrices	286
Insertos para matrices	287
Orificios	288
Ventanas en útil superior	288
<b>TRATAMIENTOS ESPECIALES</b>	289
<b>TABLA PARA EL CÁLCULO DE LA FUERZA DE PLEGADO</b>	290 - 291
<b>TABLA DE PLEGADO EN U</b>	292 -295

## Especificaciones Herramientas

- ▶ Tras un primer control de calidad, cada pieza recibe un número de serie que permite una mejor trazabilidad
- ▶ Número de lote en todos los útiles para garantizar la trazabilidad
- ▶ Todas las herramientas en acero templado de dureza 54-60 HRc
- ▶ Rectificado de precisión (tolerancia de +/-0.01 mm)
- ▶ Certificación ISO 9001:2015
- ▶ La materia prima es seleccionada por los proveedores cumpliendo con el estándar de calidad internacional, garantizando aceros de alta resistencia mecánica, así como resistencia al desgaste.

### Material - Herramientas estándar

Tipo de materia prima	Resistencia mecánica del material	Dureza del material	Dureza de la superficie de trabajo después del temple
42CrMo4 42Cr: 900-1150 N/mm <sup>2</sup>	900-1150 N/mm <sup>2</sup>	29.1 - 36.9 HRC	54 - 60 HRC
C45 C45: 560-710 N/mm <sup>2</sup>	560-710 N/mm <sup>2</sup>	12 - 15.5 HRC	54 - 60 HRC

La fuerza máxima de plegado (kN/m) es aproximadamente: 1t = 10 kN.

### Material - Matrices Rolla-V

Modelo	Tipo de materia prima	Resistencia mecánica del material	Dureza de la superficie de trabajo después del temple
Cuerpo	1/2/2.5/3/4 42CrMo4 42Cr: 900-1150 N/mm <sup>2</sup>	900-1150 N/mm <sup>2</sup>	55 HRc
Insertos móviles	1/2/2.5 Toolox 44 Toolox 44	1450 N/mm <sup>2</sup>	templado hasta núcleo 44 HRc
Insertos móviles	3/4 Toolox 33 Toolox 33	1100 N/mm <sup>2</sup>	55 HRc

La fuerza máxima de plegado (kN/m) es aproximadamente: 1t = 10 kN.

### Material - Herramientas especiales y de alta resistencia

Tipo de material	Resistencia mecánica del material y del cuerpo del útil	Dureza del material y del cuerpo del útil	Dureza de la superficie de trabajo del útil
42CrMo4 42Cr: 900-1150 N/mm <sup>2</sup>	900-1150 N/mm <sup>2</sup>	29.1 - 36.9 HRC	54 - 60 HRC
C45 C45: 560-710 N/mm <sup>2</sup>	560-710 N/mm <sup>2</sup>	12 - 15.5 HRC	54 - 60 HRC
1.2767 1.2767: 1100-1320 N/mm <sup>2</sup>	1100-1320 N/mm <sup>2</sup>	36 - 42 HRC	54 - 60 HRC
C53 C53: 610-760 N/mm <sup>2</sup>	610-760 N/mm <sup>2</sup>	16 - 19 HRC	60 - 62 HRC

La fuerza máxima de plegado (kN/m) es aproximadamente: 1t = 10 kN.

## Especificaciones Herramientas



### Prevención o reducción de marcas de plegado

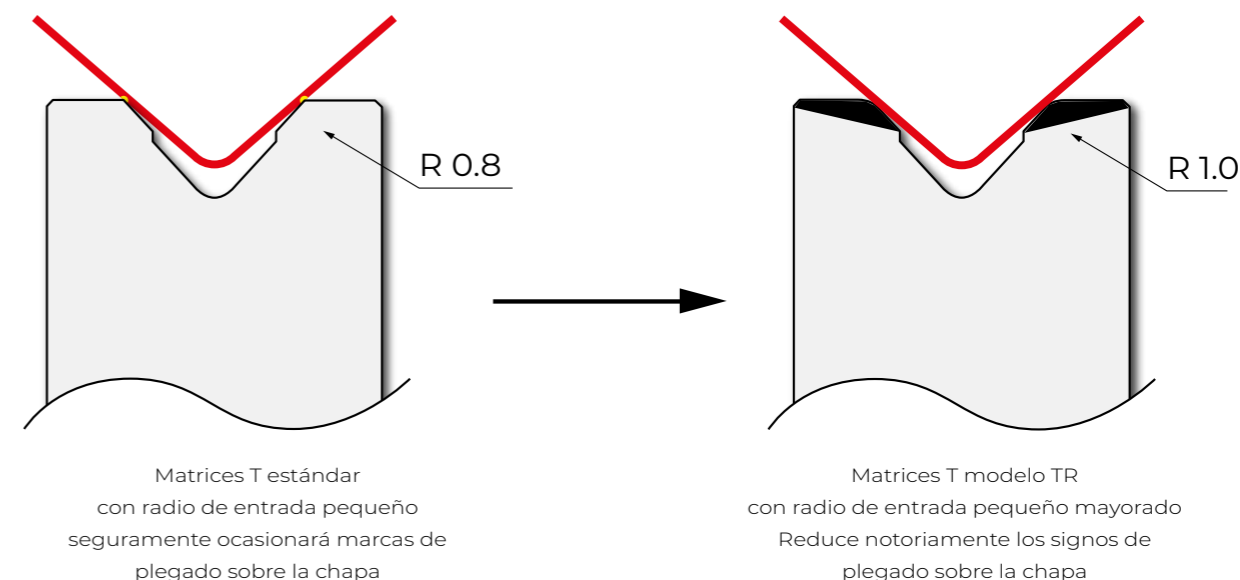
Durante el plegado es muy difícil evitar las marcas sobre la chapa, tales como arañazos y abrasiones en la superficie de las piezas dobladas. Este problema, aparece especialmente cuando se doblan perfiles de:

- ▶ Acero inoxidable
- ▶ Aluminio
- ▶ Chapa pintada

A menudo aparecen como líneas en los puntos de contacto entre la chapa y la matriz. Esta es la consecuencia del rozamiento entre la chapa y la matriz cuyo radio V es demasiado pequeño.

Para evitar estos signos hay varias posibilidades:

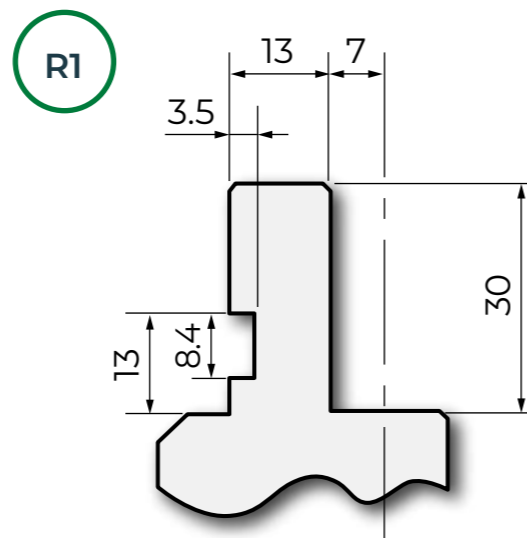
- ▶ Utilizar un film protector
- ▶ Realizar inserciones de poliuretano
- ▶ Usar matrices de nylon
- ▶ Rolla-V
- ▶ Roll Prime **NUEVO**
- ▶ Matrices T con un radio aumentado





**Ataques modificados**

- ▶ Los útiles Rollerli tipo R1, R2 y R3 compatibles con otros sistemas de fijación gracias a la modificación del ataque
- ▶ Rectificado de precisión (tolerancia ± 0,01 mm)
- ▶ Perfecto paralelismo

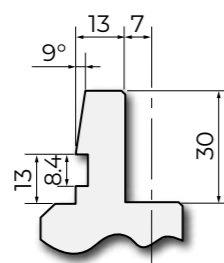


**OT**

835 mm	€ 33,-
415 mm	€ 22,-
805 mm	€ 55,-

Modificación para:

- sistema de fijación rápido Amada

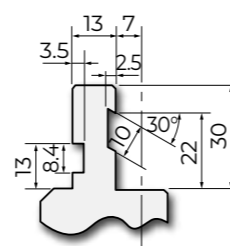


**A1**

835 mm	€ 33,-
415 mm	€ 22,-
805 mm	€ 55,-

Se realiza una ranura de seguridad de 8.4x3.5 mm:

- sistema de fijación neumático

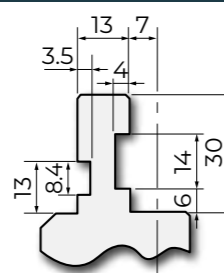


**A6**

835 mm	€ 33,-
415 mm	€ 22,-
805 mm	€ 55,-

Se realiza una ranura de seguridad de 8.4x3.5 mm:

- **R3**
- Bystronic-Beyeler Euro
- Safan

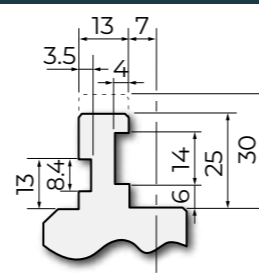


**A7**

835 mm	€ 33,-
415 mm	€ 22,-
805 mm	€ 55,-

Se realiza una ranura de seguridad de 8.4x3.5 mm (rebajado de 30 mm a 5 mm):

- **R3**
- Bystronic-Beyeler Euro
- Safan

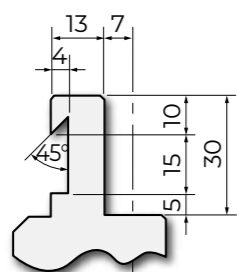


**A8**

835 mm	€ 33,-
415 mm	€ 22,-
805 mm	€ 55,-

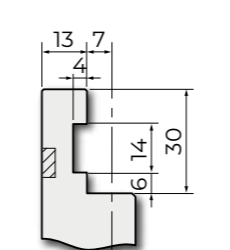
Ranura para:

- Sistema de sujeción hidráulico Gasparini



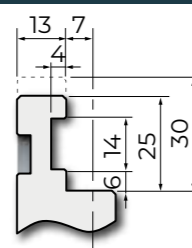
**A41**

835 mm	€ 33,-
415 mm	€ 22,-
805 mm	€ 55,-



**A42**

835 mm	€ 33,-
415 mm	€ 22,-
805 mm	€ 55,-

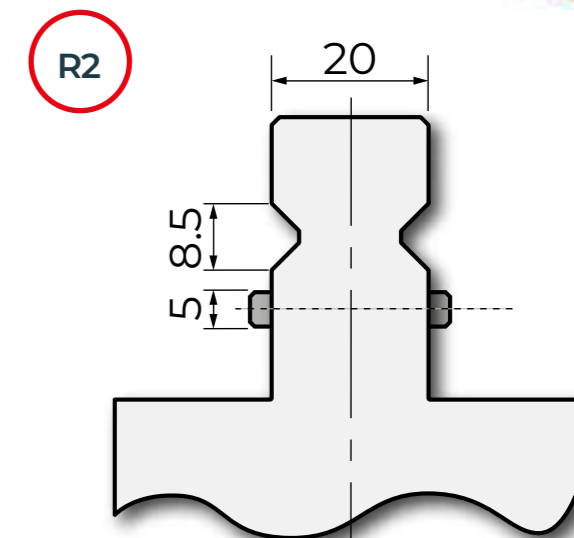
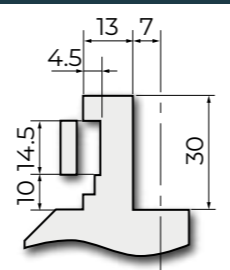


**A43**

835 mm	€ 33,-
415 mm	€ 22,-
805 mm	€ 55,-

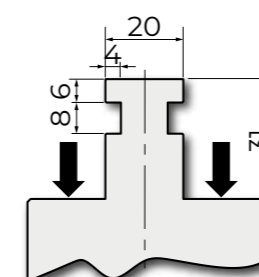
Ranura con chaveta para:

- Útil superior fraccionado



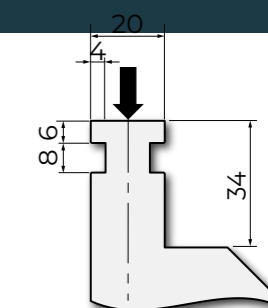
**Ejemplo 1**

Modificación del útil tipo **R2** con empuje sobre los hombros

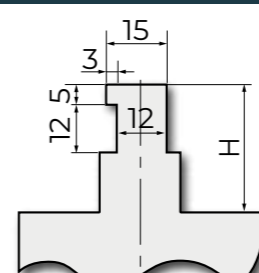


**Ejemplo 2**

Modificación del útil tipo **R2** con empuje sobre cabezal

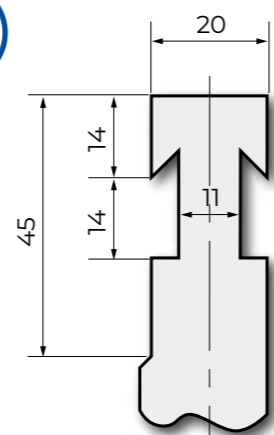


**Ejemplo 3**



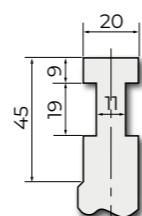
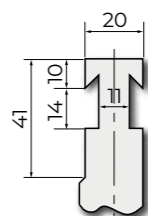


R3



Ejemplo 1

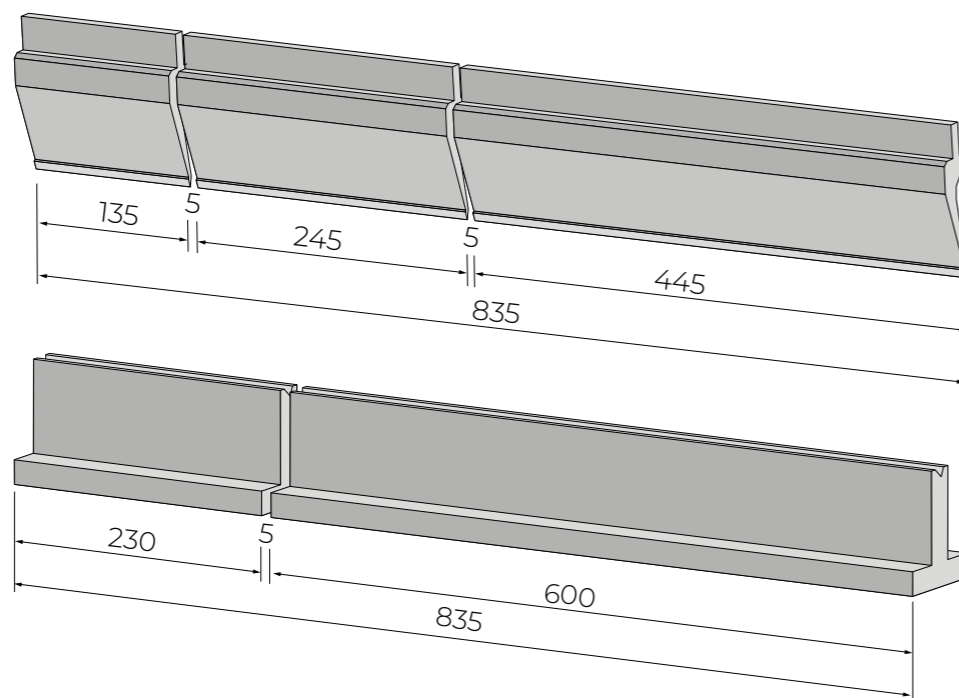
Ejemplo 2



**Fraccionamientos especiales**

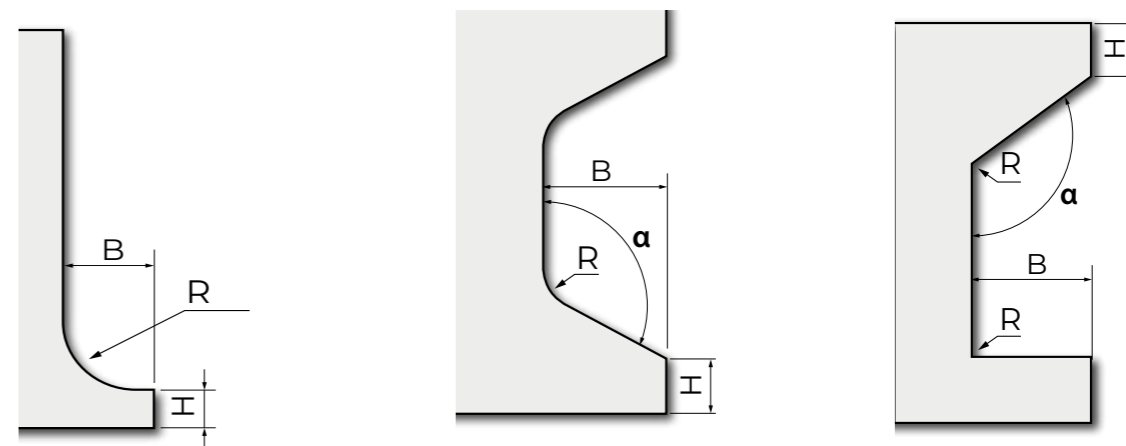
- Fraccione sus útiles superiores e inferiores
- Recuerde descontar aprox. 5 mm de longitud por cada tramo fraccionado
- Producción según sus especificaciones

Ejemplo:



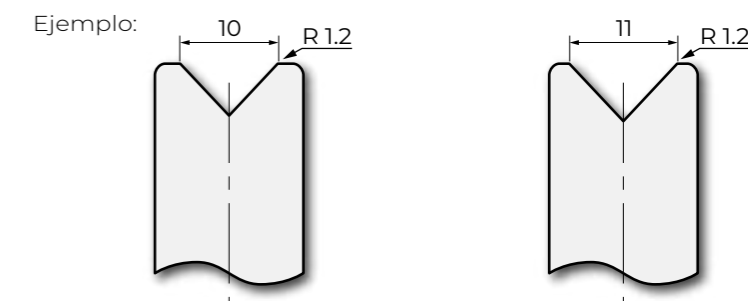
**Bigornias**

- Bigornias singulares para útiles superiores e inferiores
- Por un lado o por los dos lados



**Modificación de la V de la matriz**

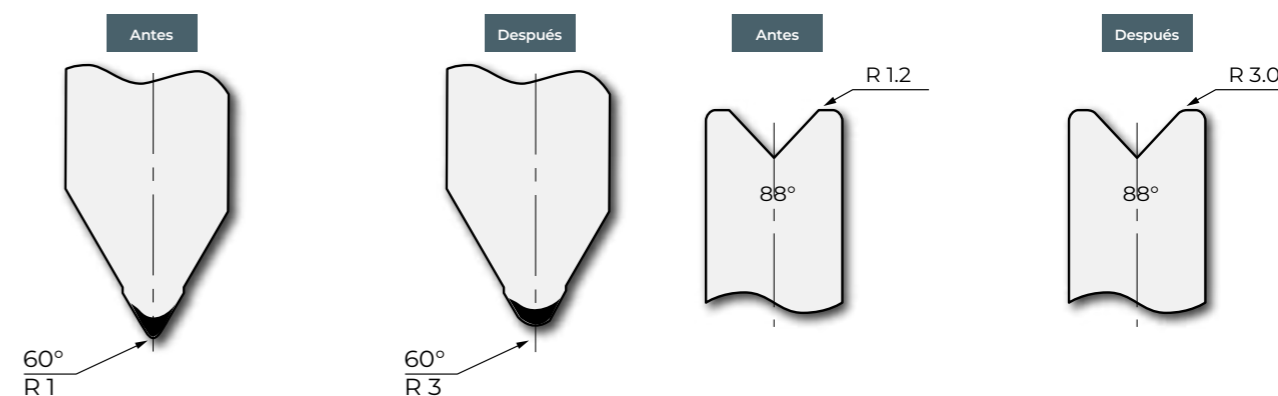
- Adaptación especial de las matrices
- Producción según sus especificaciones



**Modificación del radio**

- Producción según sus especificaciones

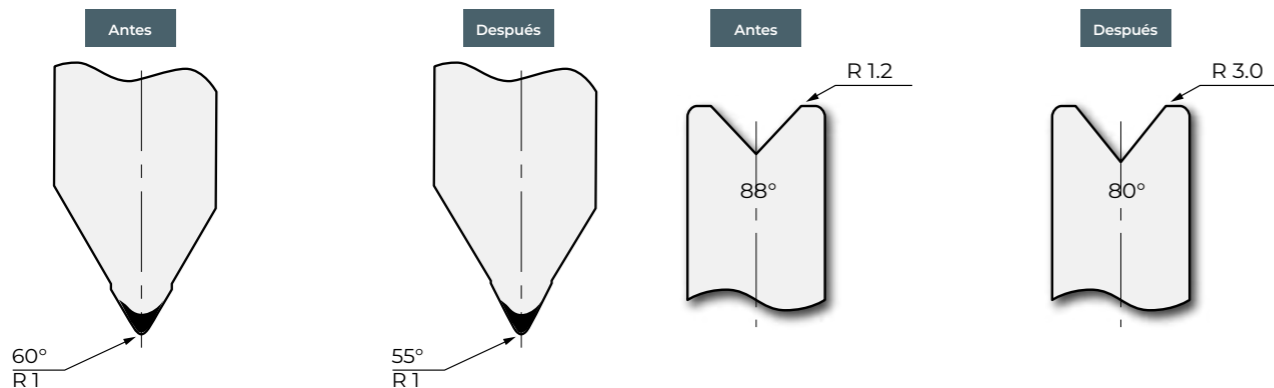
Ejemplo:



**Modificación del ángulo**

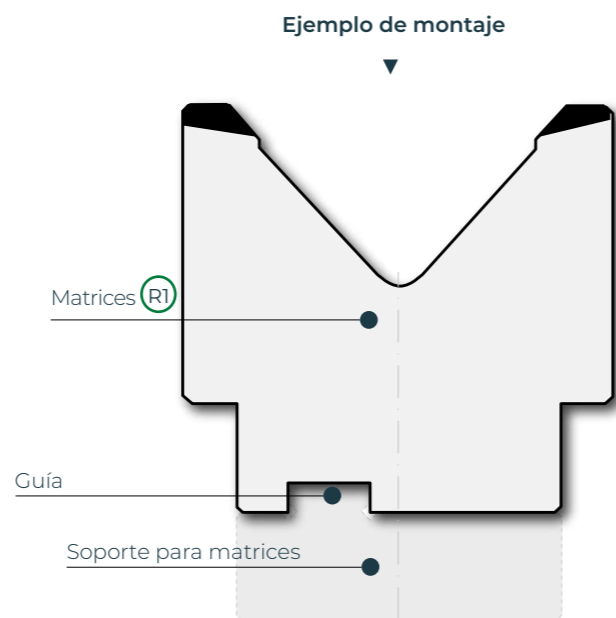
- Producción según sus especificaciones

Ejemplo:



**Guía de matrices**

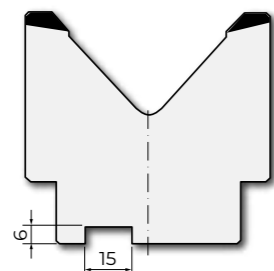
- Fresado de ranuras para la adaptación a otros sistemas



**A28**

835 mm	€ 53,-
415 mm	€ 32,-
805 mm	€ 74,-

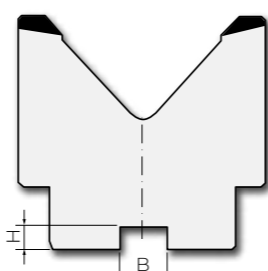
Guía para soporte



**A29**

835 mm	€ 53,-
415 mm	€ 32,-
805 mm	€ 74,-

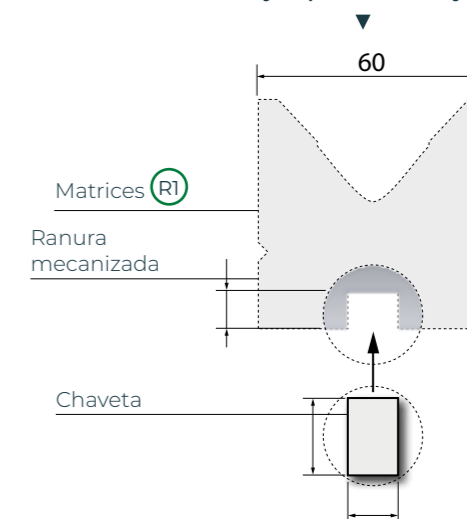
Ranura según especificaciones del cliente



**Insertos para matrices**

Fresado de guías y montaje de una cuña del tamaño adecuado para convertir la matriz a otro sistema.

**Ejemplo de montaje**

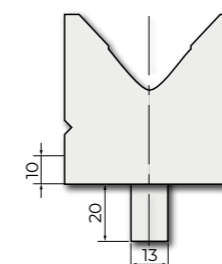


**A30**

835 mm	€ 65,-
415 mm	€ 44,-
805 mm	€ 195,-

Ranura 13 x 30 mm para:

- R2
- R3

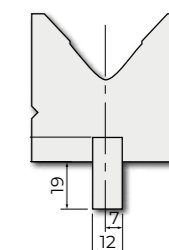


**A31**

835 mm	€ 65,-
415 mm	€ 44,-
805 mm	€ 195,-

Ranura 12 x 29 mm para:

- R4

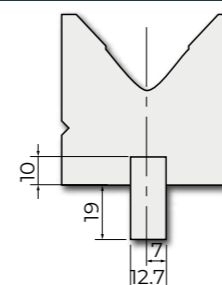


**A32**

835 mm	€ 65,-
415 mm	€ 44,-
805 mm	€ 195,-

Ranura 12.7 x 29 mm para:

- R4

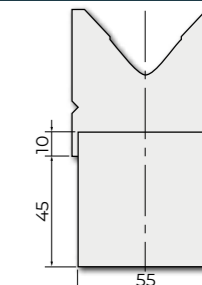


**A44**

835 mm	€ 158,-
415 mm	€ 97,-
805 mm	€ 347,-

Ranura 55 x 55 mm para:

- RX EHT

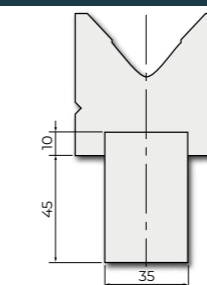


**A45**

835 mm	€ 124,-
415 mm	€ 78,-
805 mm	€ 299,-

Ranura 35 x 55 mm para:

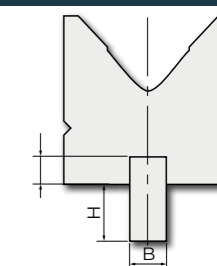
- RX Weinbrenner



**AX**

835 mm	))
415 mm	))
805 mm	))

Ranuras especiales: para otros sistemas

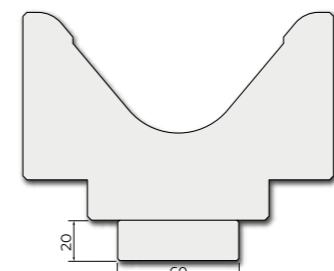


**A60**

835 mm	€ 98,-
415 mm	€ 65,-
805 mm	€ 293,-

Base de 60 mm para las siguientes matrices R1

- M103.80.125
- M130.80.160
- M195.70.200

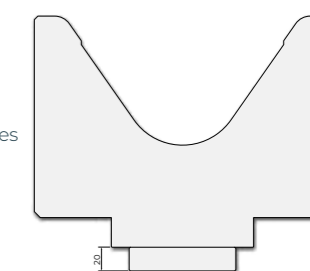


**A90**

835 mm	€ 163,-
415 mm	€ 103,-
805 mm	€ 412,-

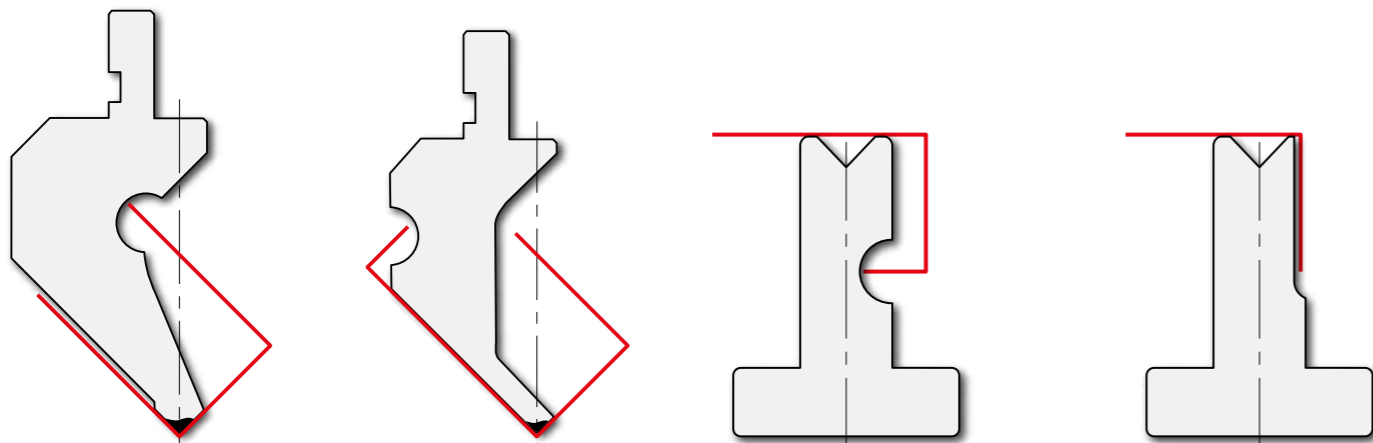
Base de 90 mm para las siguientes matrices

- M195.70.200 R1
- RVM90-4 matriz Rolla-V



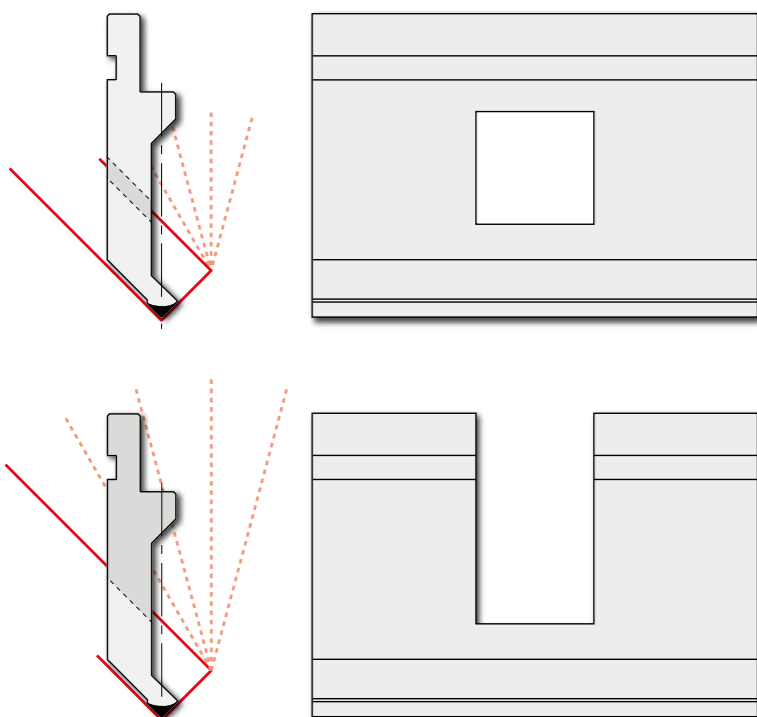
**Orificios**

- ▶ Producción según sus especificaciones



**Ventanas en útil superior**

- ▶ Producción según sus especificaciones



**Rolleri BLACKFIRE**

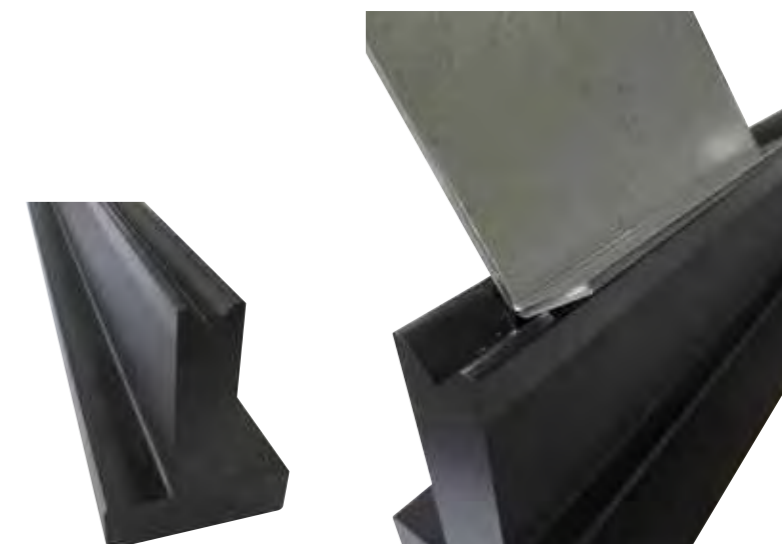
El tratamiento especial Rolleri Blackfire, es un revestimiento que les confiere una alta resistencia a la corrosión. Durante el proceso de fosfatación, la superficie del útil queda recubierta por una formación de cristal de fosfato que se une químicamente al acero de la herramienta, dándole un color negro brillante característico (BLACKFIRE), al tiempo que le proporciona una durabilidad excepcional. Puede solicitar este tratamiento especial BLACKFIRE tan sólo con un incremento de 15% sobre el precio.



**Rolleri FREEZINC**

Aproveche el nuevo tratamiento especial patentado por Rolleri. Ventajas a tener en cuenta:

- ▶ Ningún residuo metálico sobre las herramientas durante el plegado en la chapa o de otras placas que tienden a dejar residuos.
- ▶ No es necesario limpiar los útiles de residuos.
- ▶ Aumento de la productividad gracias a la reducción del tiempo de limpieza.
- ▶ Protección de la herramienta a la oxidación garantizada.
- ▶ Mejoras en la estética de la herramienta.
- ▶ Mayor durabilidad de la herramienta.
- ▶ Menos posibilidades de dañar la hoja.

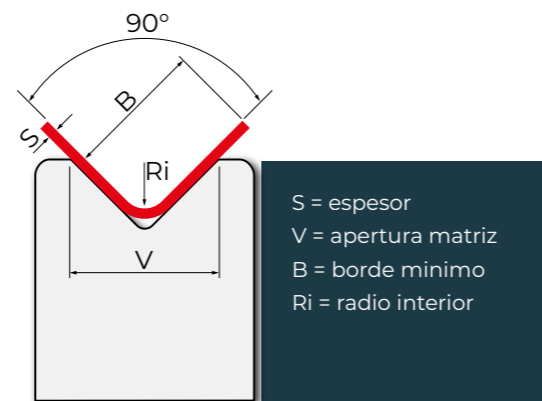




## Tabla para el cálculo de la fuerza de plegado

La tabla para determinar la fuerza necesaria para realizar plegados en función del material utilizado, el espesor de la lámina y la apertura de V, es un instrumento muy útil para todos los técnicos que se ven implicados en el proceso de plegado, así como la compra de útiles. También valida la viabilidad de plegado, para adaptarse a su maquinaria y características de sus herramientas.

En la primera columna de la izquierda se encuentra el espesor de la chapa (S), mientras que las tres filas de la parte superior hacen referencia a la apertura (V), el borde mínimo interior (B) y el radio interior ideales (Ri). Del cruce de los datos del espesor de la chapa con los datos de la apertura de V encontramos la fuerza necesaria de flexión en función de la longitud (F=kN/m). Para cada espesor hay cinco aperturas (V) posibles de utilizar. Debajo de la tabla se encuentran los factores de corrección.



		420 N/mm <sup>2</sup>																		
S (mm)	4	5	6	8	10	12	16	20	25	32	40	50	63	80	100	125	160	200	250	V
	3.0	3.5	4.0	5.5	6.5	8.0	10.5	13.0	16.5	21.0	26.0	32.5	41.0	52.0	65.0	81.5	104.0	130.0	163.0	B
	0.5	0.7	0.8	1.0	1.3	1.5	2.0	2.5	3.2	4.4	5.0	6.5	8.0	10.0	12.0	15.0	20.0	25.0	37.0	Ri
0.6	60	50	30	20																
0.8	120	90	70	50	40															
1.0		150	110	80	60	50														
1.2			180	120	90	70	50													
1.5				210	150	120	80	60												
2.0					300	230	160	120	90											
2.5						390	270	200	140	110										
3.0							430	310	230	160	120									
4.0								600	440	320	230	180								
5.0									760	540	390	290	220							
6.0										850	620	450	330	250						
8.0											1210	880	700	460	350					
10.0												1510	1090	790	580	440				
12.0													1730	1240	910	660	500			
15.0														2130	1550	1130	810	620		
20.0															3020	2200	1580	1150	890	
25.0																3780	2690	1970	1440	

F  
kN/m

30°	B x 1.6	R=200 N/mm <sup>2</sup>	r x 0.8	Al
60°	B x 1.1			
90°	B x 1.0	R=420 N/mm <sup>2</sup>	r x 1.0	Fe
120°	B x 0.9			
150°	B x 0.7	R=700 N/mm <sup>2</sup>	r x 1.4	INOX









## **SOBRE NOSOTROS**





## ROLLERI EN EL MUNDO Hoy



► Desde 1987, estamos produciendo herramientas estándar y especiales. La empresa familiar (Francesco y Marco Rolleri) puede considerarse en la actualidad como uno de los mayores fabricantes de herramientas de plegadoras en Europa. Ofrecemos un servicio rápido y de confianza a través de nuestros partners en toda Europa.

► La reorganización de nuestra fuerza de ventas, realizada en 2012, ha garantizado una presencia generalizada de nuestros productos en todos los mercados.

► Por esta razón, nuestra producción se ha ampliado considerablemente con una nueva planta y muchas máquinas nuevas en el año 2016.

Rolleri S.p.A. – Head Office **it**  
Rolleri Baltic **ba**  
Rolleri Benelux **bx**  
Rolleri Do Brasil **br**  
Rolleri Trad. Co. China **cn**  
Rolleri Česká Republika **cz**  
Rolleri Iberica **es**  
Rolleri Finland **fi**

Rolleri France **fr**  
Rolleri Deutschland GmbH **de**  
Rolleri Polska **pl**  
Rolleri Slovensko **sk**  
Rolleri Ukraine LLC **ua**  
Rolleri USA **us**  
Rolleri UK **gb**





## NUESTRA PRODUCCIÓN

### El almacén, el diseño y de calidad

#### ► El diseño

Además de fabricar muchas herramientas especiales, nuestro equipo de investigación y desarrollo también diseña sistemas de sujeción rápida para aumentar su productividad. Técnicos e ingenieros desarrollan para usted soluciones adaptadas y prácticas. Trabajamos con modelos de simulación 3D altamente complejos y somos capaces de crear simulaciones de plegado para diferentes perfiles.



#### ► De calidad

Rolleri tiene la certificación ISO 9001:2015 de calidad. Para nosotros, ser su proveedor significa ayudarle a encontrar la mejor y más conveniente herramienta y desarrollar una gran cantidad de soluciones de plegado. Además, estamos a su disposición para formar a sus empleados en el sector del plegado.



## NUESTRA PRODUCCIÓN

### La materia prima y producción

#### ► La materia prima

La materia prima es seleccionada por los proveedores cumpliendo los estándares de calidad internacionales, garantizando aceros de alta resistencia mecánica, así como resistencia al desgaste.



#### ► Los útiles

Todo el utillaje para plegadoras se fabrica en los departamentos de producción Rolleri. Esto nos permite garantizar una alta calidad, 100% de reproducción y paralelismo perfecto a través de ajustes de precisión.

Con el fin de obtener los mejores resultados de plegado, todo nuestro utillaje recibe un proceso de templado que le confiere una dureza entorno a 54-60HRC y cada útil, de manera individual es sometido a controles de calidad y marcados con un número de serie, para asegurar la trazabilidad.





## NUESTRA PRODUCCIÓN

### Nuestra flota

#### ► El almacén

Con más de 20.000 útiles disponibles en stock, nuestro almacén de herramientas para plegadoras es uno de los más grandes de Europa. Garantizamos, por lo tanto, la rápida entrega del material en todo el mundo y la respuesta rápida a nuestros clientes.



#### ► CNC-Mecanizado

Gracias a los centros de mecanizado modernos, podemos, a petición y de forma rápida, realizar modificaciones con alta precisión y excelente calidad. Responsables de mecanizados hacen que sea posible llevar a cabo el trabajo con flexibilidad de todo tipo. Producimos guías para matrices, orificios y otros tipos de mecanizado.



#### ► Rectificaciones CNC

Nuestros rectificadores con CNC garantizan el mecanizado de alta precisión (tolerancia de +/- 0,01 mm), paralelismo y 100% de reproducción. También podemos rectificar piezas y superficies endurecidas y cambiar de manera precisa los radios y ángulos de útiles en función de las especificaciones del cliente.



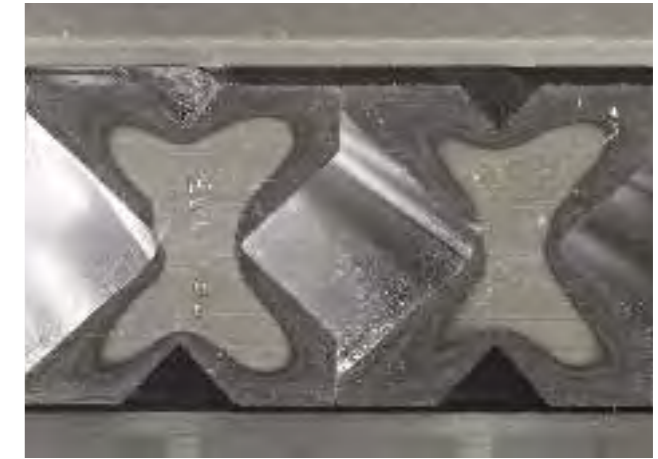
## NUESTRA PRODUCCIÓN

### Nuestra flota

#### ► Tempra

Las superficies de las matrices están expuestas a un mayor estrés mecánico, ya que toda la fuerza ejercida por la plegadora se concentra en un área pequeña de la lámina de acero. Por lo tanto, la carga ejercida sobre tales superficies es muy alta y se genera una fuerte fricción en algunas superficies (punzones y matrices con radio en la punta).

Para mejorar la resistencia, se realiza un tratamiento superficial que logra endurecerla, este tratamiento es el temple. La profundidad del temple debe ser de al menos 3 mm, para evitar la deformación. Con una mayor resistencia al desgaste, el cliente puede disfrutar de la mejor solución a precios competitivos.



#### ► Electroerosión

Gracias a las máquinas de electroerosión por hilo, es posible trabajar con materiales templados y de gran dureza. Este proceso se basa en la definición CAD, que permite grandes precisiones en las formas singulares, tanto si se trata de piezas simples como complejas.

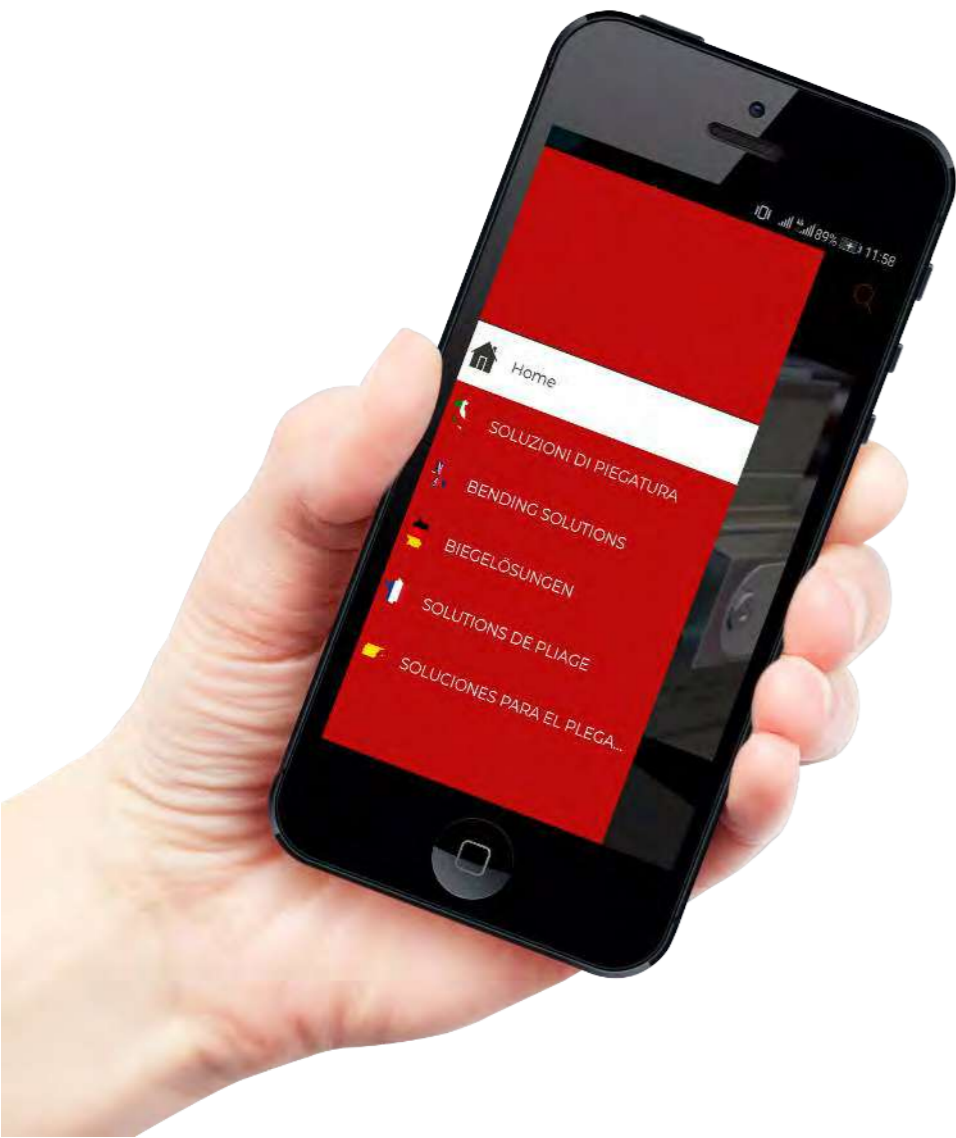


#### ► Impresora 3D

La introducción de nuevas máquinas "Additive" permiten fabricar cualquier objeto con materiales similares al acero a partir de un diseño en 3D. Gracias a esta tecnología es posible reducir el tiempo de producción de las herramientas más complejas y tener unos tiempos de entrega más rápidos.







**ROLLERI**  
**BENDING APP**

**ROLLERI**  
PROFESSIONAL BENDING

SIDE (mm)	SIDE (mm)	Internal RADIUS (mm)*	DEGREES (°)	DEVELOPMENT (mm)

**TOTAL DEVELOPMENT: 0 mm**

$\alpha =$   Degrees     $S =$   mm

 mm, A =  mm, B =  mm."/>

**A =**  mm    **B =**  mm

**DEVELOPMENT**

RESET

\* Internal radius - please insert the correct radius obtained on the bending considering the tools chosen. Please use the bending ruler -





Estimado cliente,

Durante los últimos años, hemos implementado una política de precios fijos y transparentes que se ha llevado a cabo poniendo todos los precios en nuestro catálogo.

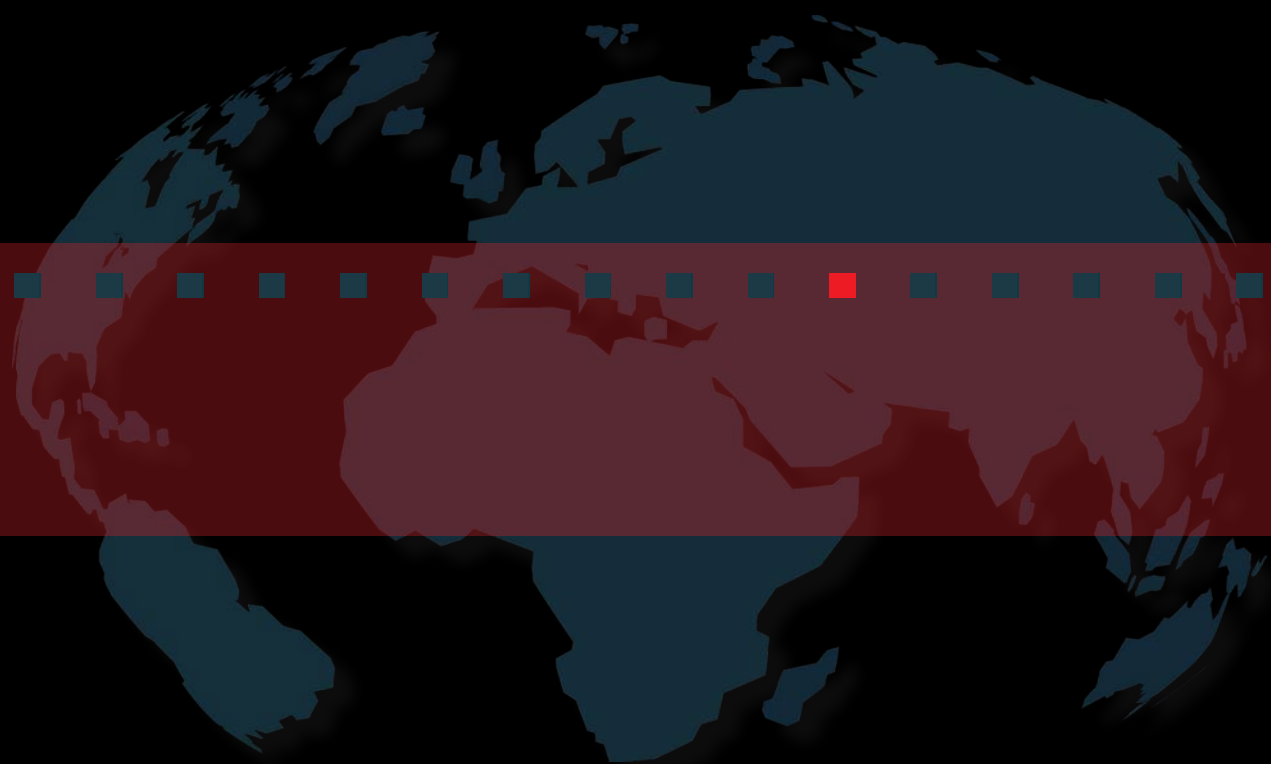
Debido al aumento del precio de la materia prima, nos hemos visto obligados a aumentar la lista de precios de 2018 en un pequeño porcentaje.

Por esta razón les rogamos verifiquen siempre los precios indicados en este catálogo con los precios publicados en nuestra página web [www.rolleriberica.com](http://www.rolleriberica.com).

El equipo de Rolleri se compromete a actualizar nuestro sitio web a diario con el objetivo de brindarle un servicio eficiente e intuitivo que lo ayude a elegir las herramientas más adecuadas.

USTED y una política de precios transparente son siempre el foco del interés de Rolleri ...

WWW.ROLLERIBERICA.COM



**Rolleri Iberica Tools**

Tel +34 644 33 55 09

E-mail [comercial@rolleriberica.com](mailto:comercial@rolleriberica.com)

Web [www.rolleriberica.com](http://www.rolleriberica.com)