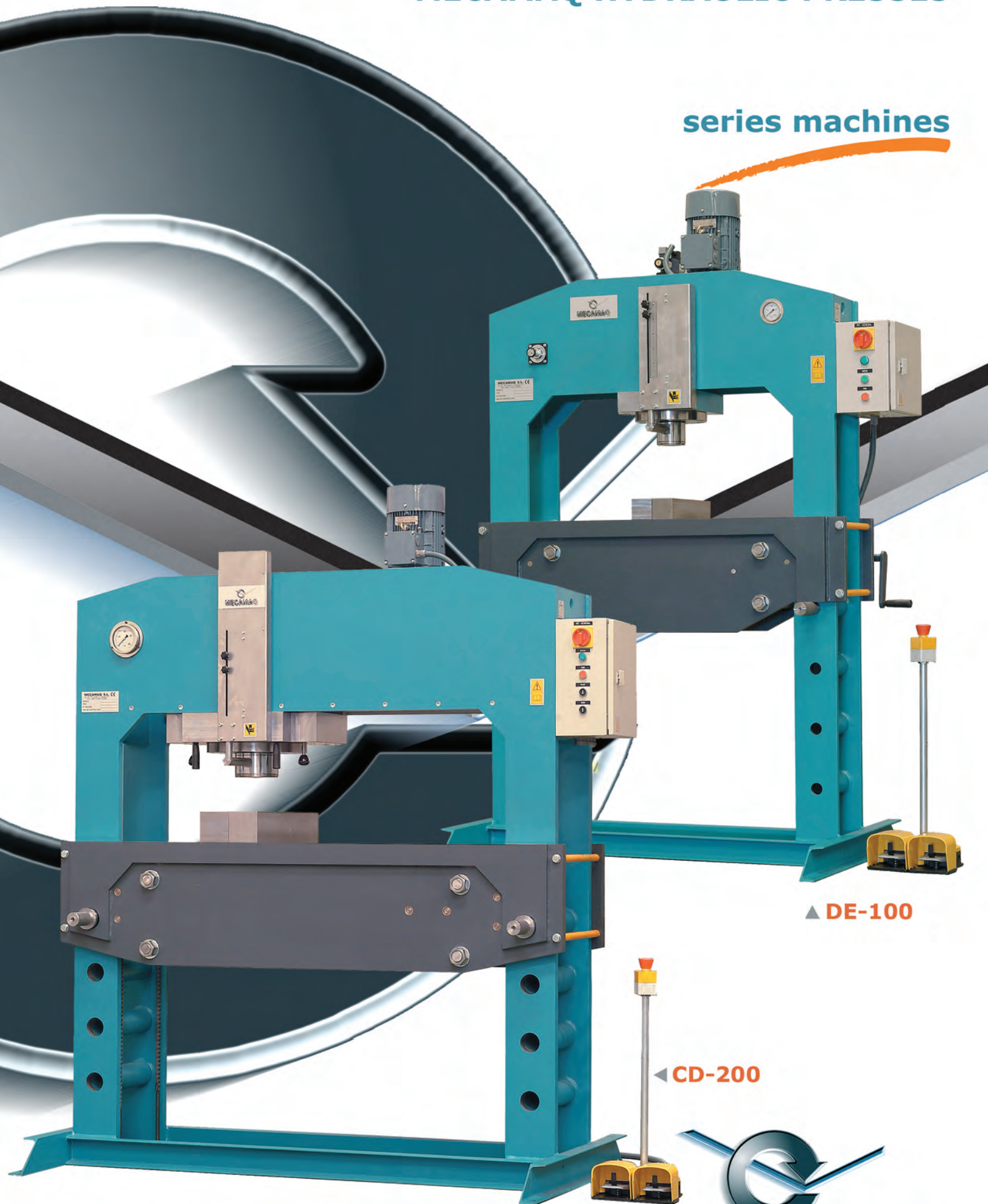


MECAMAQ HYDRAULIC PRESSES

series machines



▲ DE-100

◀ CD-200



mecamaq
HYDRAULIC PRESSES

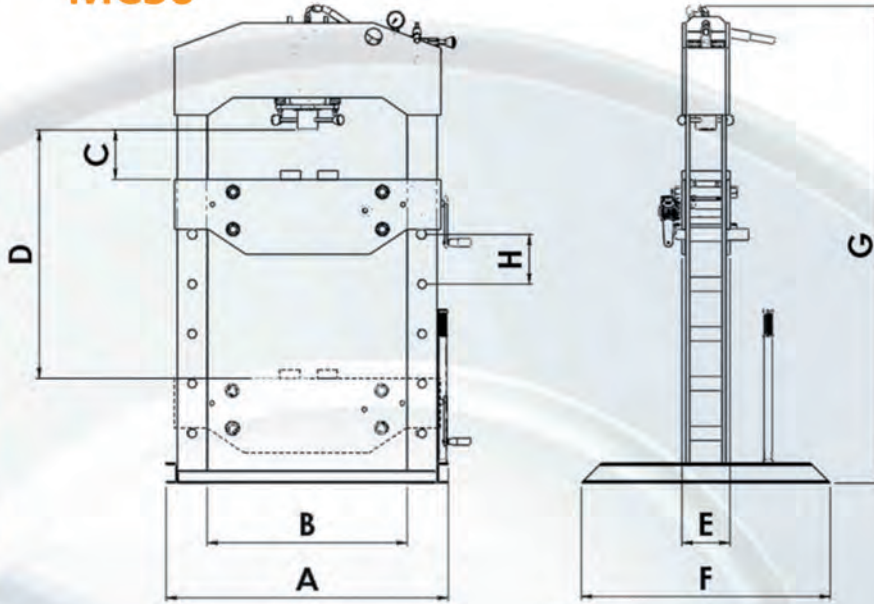


***MC50 OPTIONAL EQUIPMENT:** SAFETY FRONT DOOR – REAR PROTECTION FIXED.

***DE50 OPTIONAL EQUIPMENT:** PRESSURE REGULATOR – MANOEUVRE BY ELECTRIC PEDALS – END OF STROKE SWITCHES AND ANTI SPIN SYSTEM
SAFETY FRONT DOOR – REAR PROTECTION FIXED – TWO HAND SAFETY ACTIVATION.

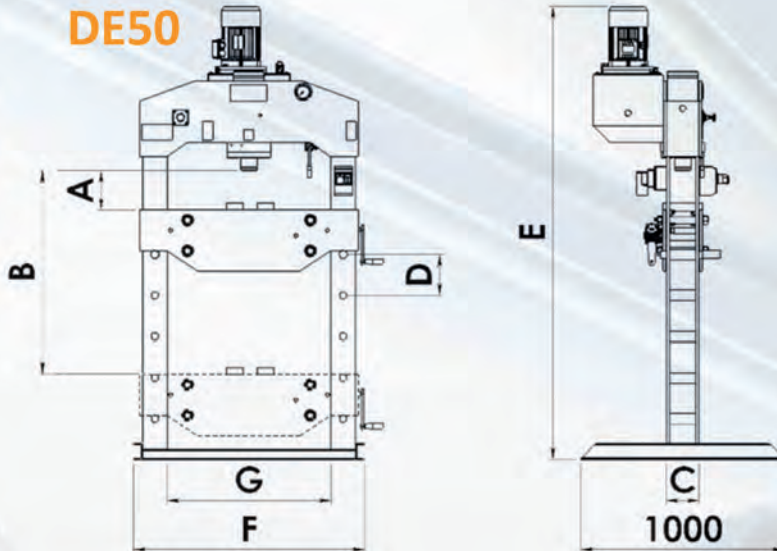
***DE50+ OPTIONAL EQUIPMENT:** PRESSURE REGULATOR – SAFETY FRONT DOOR – REAR PROTECTION FIXED.

MC50



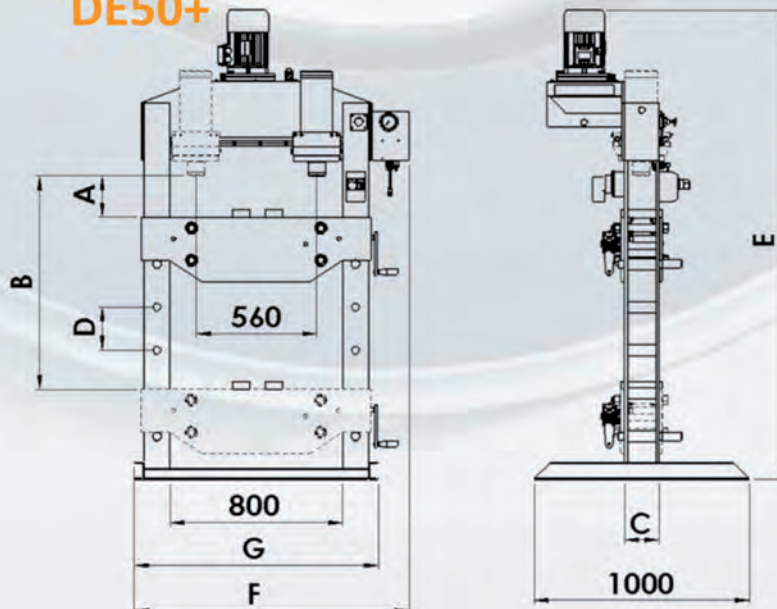
MODEL	MC50
CAPACITY (Tons)	50
A (mm)	1130
B (mm)	800
C (mm)	200
D (mm)	1000
E (mm)	160
F (mm)	1000
G (mm)	1950
H (mm)	200

DE50



MODEL	DE50
CAPACITY (Ton)	50
A (mm)	200
B (mm)	1000
C (mm)	160
D (mm)	200
E (mm)	2230
F (mm)	1130
G (mm)	800

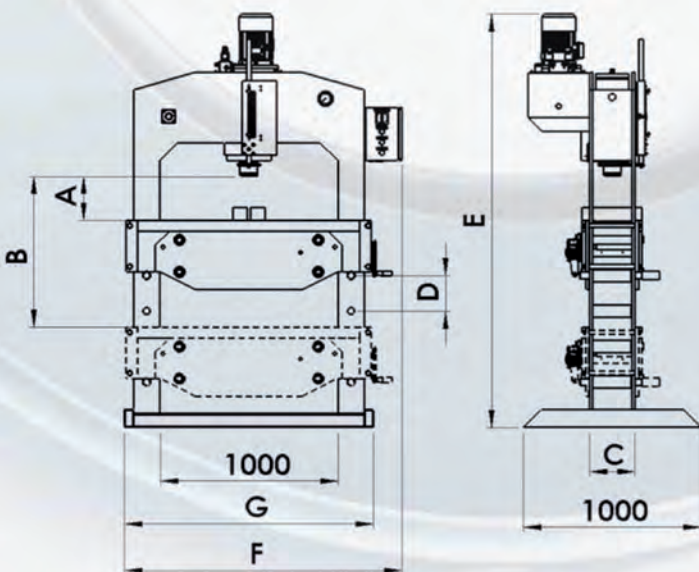
DE50+



MODEL	DE50+
CAPACITY (Ton)	50
A (mm)	200
B (mm)	1000
C (mm)	160
D (mm)	200
E (mm)	2200
F (mm)	1280
G (mm)	1130



*Machine picture with optional equipment.

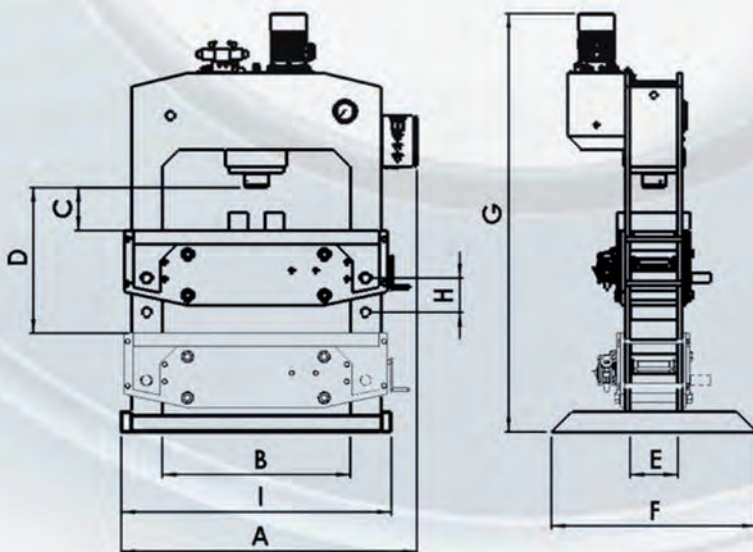


MODEL	DE	DE	DE
CAPACITY (Ton)	80	100	125
A (mm)	260	250	240
B (mm)	860	850	840
C (mm)	220	240	260
D (mm)	200	200	200
E (mm)	2340	2340	2340
F (mm)	1560	1560	1560
G (mm)	1400	1400	1400

***OPTIONAL EQUIPMENT AVAILABLE:** PRESSURE REGULATOR – MANOEUVRE BY ELECTRIC PEDALS – 2 SPEEDS HYDRAULIC SYSTEM – MOTORIZED BEDPLATE - LIMIT SWITCHES AND ANTI SPIN SYSTEM – FOLDING EQUIPMENT – SAFETY FRONT DOOR – REAR PROTECTION FIXED SPECIAL FRONT OPENING 1500mm.

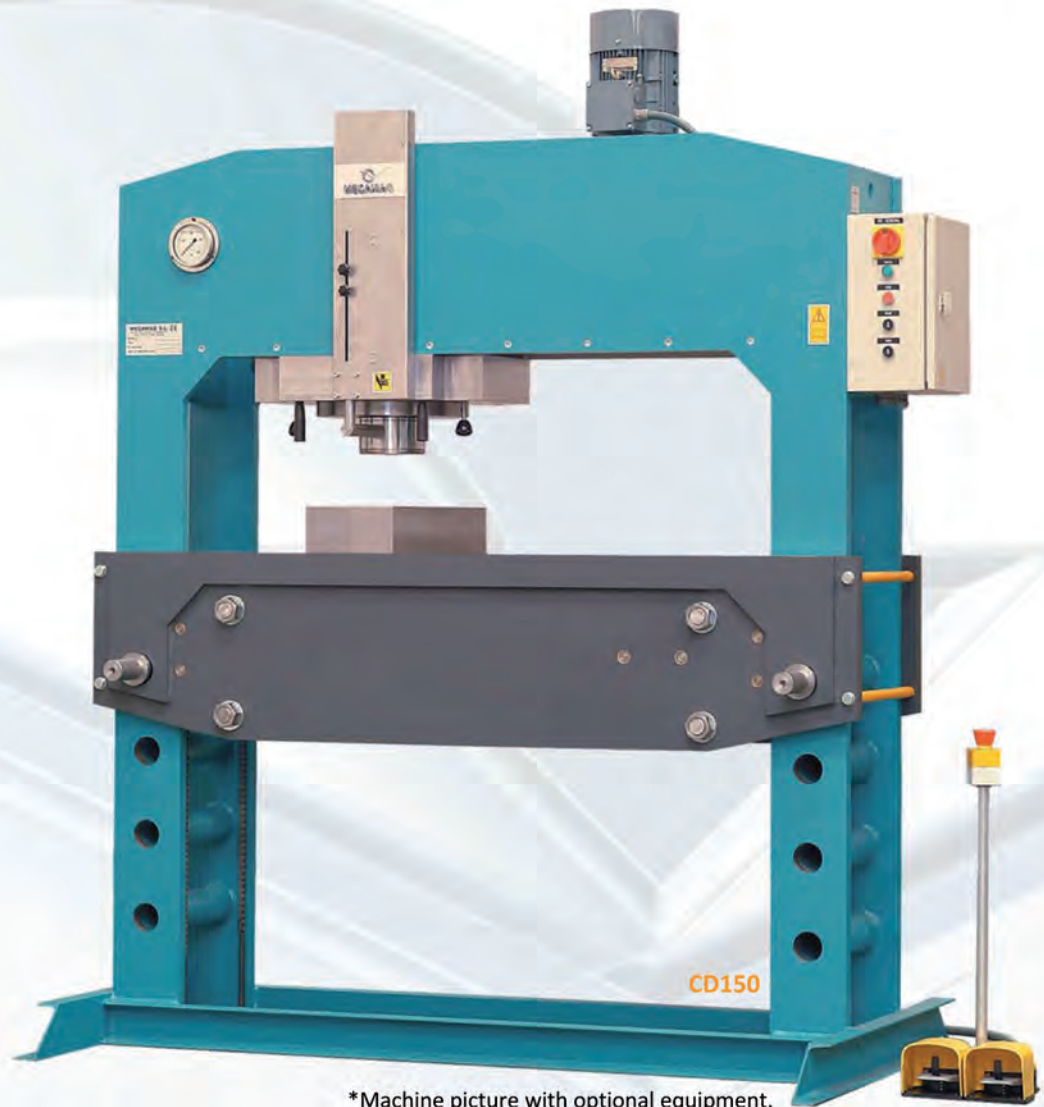


*Machine picture with optional equipment.

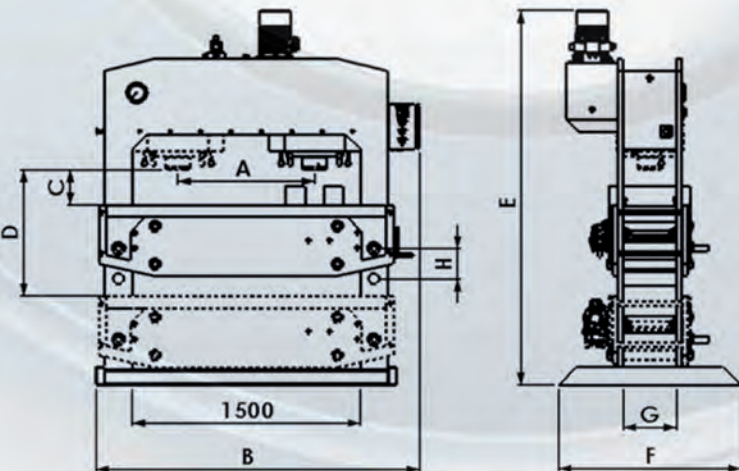


MODEL	DE	DE	DE	DE
CAPACITY (Tons)	150	200	250	300
A (mm)	1730	1730	1770	2210
B (mm)	1100	1100	1100	1500
C (mm)	260	250	300	300
D (mm)	860	850	900	1020
E (mm)	280	320	350	400
F (mm)	1200	1200	1200	1300
G (mm)	2480	2480	2750	3000
H (mm)	200	200	200	240
I (mm)	1570	1570	1610	2050

***OPTIONAL EQUIPMENT AVAILABLE:** PRESSURE REGULATOR – MANOEUVRE BY ELECTRIC PEDALS – 2 SPEEDS HYDRAULIC SYSTEM – MOTORIZED BEDPLATE - LIMIT SWITCHES AND ANTI SPIN SYSTEM – FOLDING EQUIPMENT – SAFETY FRONT DOOR – REAR PROTECTION FIXED SPECIAL FRONT OPENING 1500mm.



*Machine picture with optional equipment.



MODEL	CD	CD	CD	CD	CD
CAPACITY (Ton)	100	150	200	250	300
A (mm)	990	940	900	850	800
B (mm)	2120	2120	2120	2165	2205
C (mm)	250	260	250	300	300
D (mm)	850	860	850	900	1020
E (mm)	2400	2450	2500	2750	3000
F (mm)	1200	1200	1200	1300	1300
G (mm)	260	300	350	400	450
H (mm)	200	200	200	200	240

*OPTIONAL EQUIPMENT AVAILABLE: PRESSURE REGULATOR – 2 SPEEDS HYDRAULIC SYSTEM – MOTORIZED BEDPLATE - END OF STROKE SWITCHES AND ANTI SPIN SYSTEM – FOLDING EQUIPMENT – SAFETY FRONT DOOR – REAR PROTECTION FIXED – TWO HAND SAFETY ACTIVATION.

MANUAL SERIES

MODEL	Power (Tm)	Stroke (mm)	Threaded piston rod (mm)	Front opening (mm)	Columns	Weight (KG)
MD30	30	120	120	790	2	190
MC50	50	150	150	800	4	360

*Single effect cylinder // Activation by means of manual pump.

DE50 / DE50+

MODEL	Power (Tm)	Stroke (mm)	Front opening (mm)	1 Speed (mm/min)	Movable cylinder (mm)	Engine (HP/KW)	Weight (KG)
DE50	50	250	800	240	-	4/3	480
DE50+	50	250	800	240	560	4/3	500

*Double effect cylinder // Activation by means of sensitive manual distributor.

DE SERIES

MODEL	Power (Tm)	Stroke (mm)	Front opening (mm)	1 Speed (mm/min)	2 Speeds (mm/min)	Engine (HP/KW)	Weight (KG)
DE	80	250	1000	300	600/300	4/3	850
DE	100	250	1000	240	600/240	4/3	1000
DE	125	250	1000	190	600/190	4/3	1150
DE	150	250	1100	230	600/230	5,5/4	1500
DE	200	250	1100	180	600/180	5,5/4	1960
DE	250	250	1100	145	600/145	7,5/5,5	2850
DE	300 (**)	300	1500	150	520/150	10/7,5	4050

* Double effect cylinder // Rigid frame made of S355 steel // Activation by means of sensitive manual distributor // Extreme of the piston rod mechanized for the adjustment of tools with removable head // Movable bedplate adjustable on different heights by means of auger reducer.

(**) Series equipment includes electric pedals activation // Front opening 1500mm // Motorized bedplate.

CD SERIES

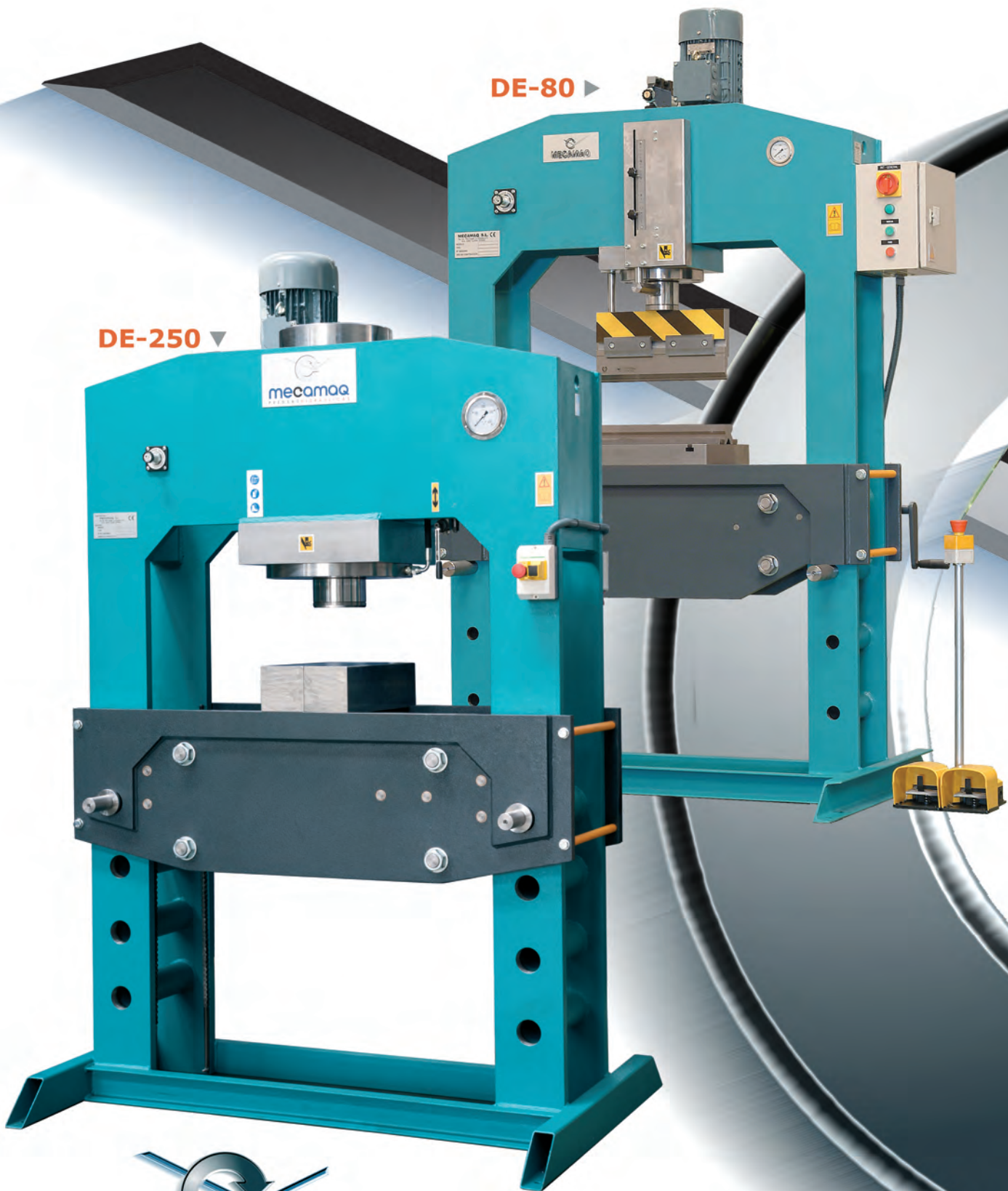
MODEL	Power (Tm)	Stroke (mm)	Front opening (mm)	1 Speed (mm/min)	2 Speeds (mm/min)	Engine (HP/KW)	Weight (KG)
CD	100	250	1500	240	600/240	5,5/4	1550
CD	150	250	1500	230	600/230	5,5/4	1950
CD	200	250	1500	180	600/180	5,5/4	2530
CD	250 (**)	250	1500	145	600/145	7,5/5,5	3200
CD	300 (**)	300	1500	150	520/150	10/7,5	4100

* Double effect cylinder // Rigid frame made of ST355 steel // Activation by means of electric pedals // Extreme of the piston rod mechanized for the adjustment of tools with removable head // Movable bedplate adjustable on different heights by means of auger reducer // Front opening 1500mm.

(**) Series equipment includes motorized bedplate.

DE-80 ▶

DE-250 ▼



mecamaq
HYDRAULIC PRESSES

Autovia N-II, salida nº 487-484
Pol. Ind. "Pla d'Urgell"
C/ Colomers, Parcela nº 9
25245 VILA-SANA (Lleida)

Ap. de Correos 149
25230 MOLLERUSSA (Lleida)

Tel. (+34) 973 71 12 81
Fax (+34) 973 71 22 25

Web page: www.mecamaq.com
E-mail: mecamaq@mecamaq.com

